

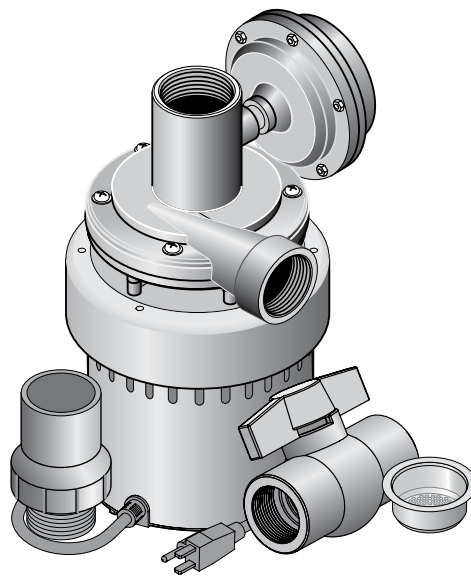


**MYERS®**

OWNER'S MANUAL  
**Utility Sink Pump**

NOTICE D'UTILISATION  
**Pompe à usage général  
pour évier**

MANUAL DEL USUARIO  
**Bomba de uso general  
para fregadero**



**MUSP125**

**Installation/Operation/Parts**

For further operating, installation, or maintenance assistance:

**Call 1-888-987-8677**

**English..... Pages 2-6**

**Installation/Fonctionnement/Pièces**

Pour plus de renseignements concernant l'utilisation, l'installation ou l'entretien,

**Composer le 1 (888) 987-8677**

**Français ..... Pages 7-11**

**Instalación/Operación/Piezas**

Para mayor información sobre el funcionamiento, instalación o mantenimiento de la bomba:

**Llame al 1-888-987-8677**

**Español.....Paginas 12-16**

**READ AND FOLLOW SAFETY INSTRUCTIONS!**

**⚠ This is the safety alert symbol.** When you see this symbol on your pump or in this manual, look for one of the following signal words and be alert to the potential for personal injury:

**⚠ DANGER** warns about hazards that **will** cause serious personal injury, death or major property damage if ignored.

**⚠ WARNING** warns about hazards that **can** cause serious personal injury, death or major property damage if ignored.

**⚠ CAUTION** warns about hazards that **will** or **can** cause minor personal injury or property damage if ignored.

The label **NOTICE** indicates special instructions which are important but not related to hazards.

**Carefully read and follow all safety instructions in this manual and on pump.**

Keep safety labels in good condition.  
Replace missing or damaged safety labels.

1. Read this manual carefully. Failure to follow these instructions could cause serious bodily injury and/or property damage.
2. Check your local codes before installing. You must comply with their rules.
3. Connect the pump to a separate circuit with no other appliances on the circuit. Consult a licensed electrician for all wiring.

**NOTICE:** This pump does not require a connection to a main stack vent, per the National Standard Plumbing Code (NSPC) 2003 Section 11.7.9.

**⚠ WARNING Hazardous voltage. Can shock, burn or cause death.** Unplug pump before working on it.

**DESCRIPTION**

This pump is designed to be used with a sink where a gravity drain line is not available. Attach the pump to the drain tail piece; the pump will start when water begins to drain. Uses include basement laundry sinks, wet bars and utility sinks.

**SPECIFICATIONS**

Power supply required..... 115V, 60 HZ.  
Liquid Temp. Range ..... 32° – 120°F (0° – 50°C)  
Individual Branch Circuit Required (min.)..... 15 Amps  
Pump Inlet ..... 1-1/2" NPT  
Pump Discharge ..... 1-1/4" NPT

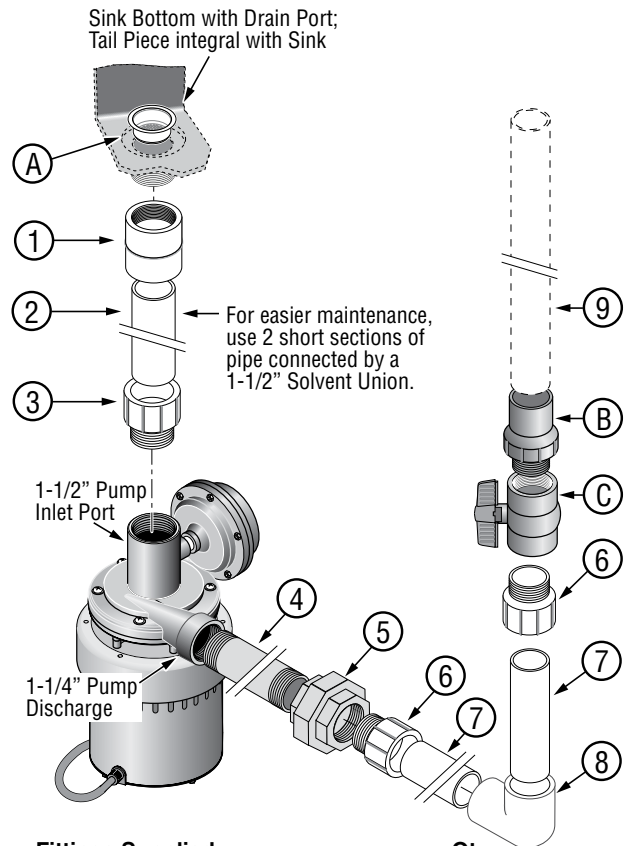
**⚠ WARNING Fire or explosion hazard.** Do not use in explosive atmospheres. Pump fresh water only with this pump. Use with salt water or brine will void the warranty.

**California Proposition 65 Warning**

**⚠ WARNING** This product and related accessories contain chemicals known to the State of California to cause cancer, birth defects or other reproductive harm.

**INSTALLATION (SEE FIGURES 1 AND 2)**

**⚠ WARNING Electric Shock Hazard.** Plug pump into a properly grounded, GFCI protected outlet. Do NOT plug in the pump until after it is completely installed. Do not remove or modify the grounding pins on the plugs.



Fittings Supplied:		Qty.
A	Sink Drain Screen	1
B	1-1/4" NPT x 1-1/4" Slip Check Valve	1
C	1-1/4" NPT Ball Valve	1

Purchase Separately:		Qty.
1	1-1/2" NPT x 1-1/2" Slip Female Adapter	1
2	1-1/2" Schedule 40 PVC Pipe, to fit	1
3	1-1/2" NPT x 1-1/2" Slip Male Adapter	1
4	1-1/4" NPT Galvanized Nipple (to fit)	1
5	1-1/4" NPT Galvanized Union	1
6	1-1/4" NPT x 1-1/4" Male Adapter	2
7	1-1/4" Schedule 40 PVC Pipe, to fit	4
8	1-1/4" Socket to Socket 90° Elbow	1
9	1-1/4" Schedule 40 PVC Pipe to Drain	As Needed
	PVC Pipe Cement	As Needed
	PTFE pipe thread sealant tape	As Needed
	1-1/2" Plastic Solvent Union	As Needed
	(For Drop Pipe – Optional)	

**NOTE:** Be careful to avoid cross-threading; Use only a plastic-compatible pipe-threading compound or PTFE pipe thread sealant tape when connecting threaded fittings to plastic adapters.

**Figure 1: Typical method of mounting the pump.**

## PUMP INSTALLATION

### Mount the pump

**NOTICE:** DO NOT use plumber's pipe threading compound ("pipe dope") on plastic pipe; it can damage the plastic, causing leaks and piping failure and voiding the warranty.

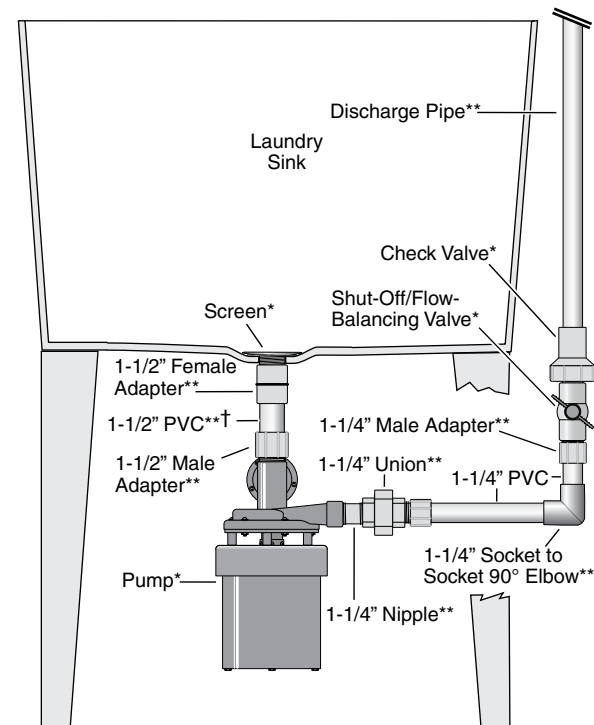
1. Place the sink in its final location.
2. Remove any existing drain fittings back to the tail piece (Figure 1). Make sure the existing tail piece does not leak.

**NOTICE:** If the sink-drain tail piece is not 1-1/2" NPT, you will have to adapt it (bushings, reducers, etc.). In this case, wrap all joints with PTFE pipe thread sealant tape before making connections.

3. Glue the 1-1/2" PVC pipe into the female adapter (purchase separately).

**⚠ WARNING** **Fire and explosion hazard.** Be sure to follow the cement manufacturer's instructions when using PVC cement. Do not use near fire or open flame.

4. Wrap the threads of the tail piece with 1 to 1-1/2 turns of PTFE pipe thread sealant tape. Thread the 1-1/2" NPT female adapter onto the sink-drain tail piece. Thread it hand tight plus 1/2 turn with a pipe wrench or slip joint pliers. DO NOT overtighten.



\* Required and included  
 \*\* Purchase separately  
 † For easier removal for servicing or cleaning, install a 1-1/2" solvent union in the drop pipe.

**Figure 2: Pump Installed.**

5. Wrap the threads of the 1-1/2" male adapter with 1 to 1-1/2 turns of PTFE pipe thread sealant tape and install it in the pump inlet. Tighten it hand tight plus 1/2 turn with a pipe wrench or slip joint pliers. DO NOT overtighten!
6. Measure the 1-1/2" PVC pipe against the drain and the pump and trim the pipe to fit.
7. Do a trial assembly (dry - no glue) of the pump onto the drain pipe. Swing the pump until it accurately faces the discharge piping, and then mark the pump and the inlet pipe/adapter assembly so that you can accurately install the pump in Step 8. Arrange a temporary support under the pump to relieve the strain on the sink drain piping while the glue is setting. Leave it in place while you measure and cut the discharge piping (Step 12).
8. Slide the pump up into position and glue the pipe into the male adapter (on the pump).
  - Don't allow any glue to get on the pump or in the motor;
  - Make sure the pump is facing the correct direction (match the marks from Step 7);
  - Put the support in place under the motor.
9. Wrap the 1-1/4" galvanized nipple with 1-1/2 to 2 turns of PTFE pipe thread sealant tape on each end and thread it into the pump discharge port. **NOTICE:** Tighten this only enough to prevent leaking. Over-tightening can crack the plastic.
10. Hold the nipple with a pipe wrench and thread one half of the 1-1/4" union onto it, hand tight plus 1-1/2 turns with a pipe wrench or slip-joint pliers.
11. At this time, wrap the threads on both the 1-1/4" male adapters with 1-1/2 to 2 turns of PTFE pipe thread sealant tape. Thread one of the adapters into the other half of the 1-1/4" union, hand tight plus 1/2 turn with a wrench or a pair of slip-joint pliers. DO NOT overtighten!
12. Install the discharge piping as shown in Figures 1 and 2. The order is:
  - 1-1/4" PVC Pipe cut to fit,
  - 90° Socket to Socket elbow,
  - 1-1/4" PVC Pipe cut to fit,
  - Male adapter,
  - Flow Control/Ball Valve,**
  - Check Valve,**
  - (**NOTICE:** Install the check valve in the vertical discharge pipe with the threads down. Be sure the flow arrow points AWAY from the pump. That is, when the check valve is correctly installed, the arrow showing direction of flow should point UP.)
  - 1-1/4" Outlet Pipe.
13. Connect the discharge piping to the building drain.

### Plug in the Pump

AFTER the pump is completely installed, plug the switch into a GFCI-protected, properly grounded outlet. Plug the pump into the back of the switch's plug.

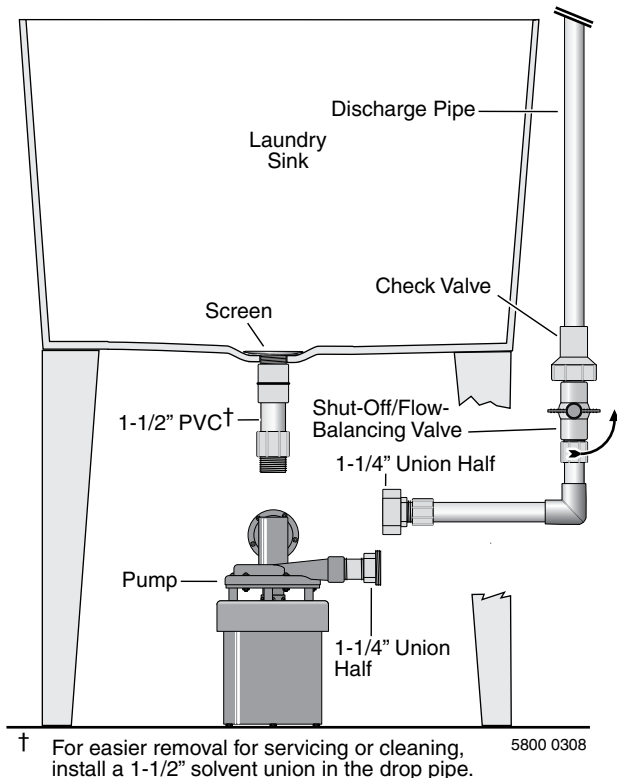
## Adjusting The Flow

The drain pump can pump up to 27 gallons per minute (GPM). Normal sink drains allow only 5 to 6 GPM to flow. Adjust the discharge shut-off/flow balancing valve as follows so that the pump does not cycle on and off when the faucets are on full.

1. Run water into the sink. The pump will start when it detects water.
2. Check for leaks. If leaks are found, unplug the pump power cord and fix the leaks before proceeding.
3. Put a stopper in the drain and allow the sink to fill up a few inches.
4. Open the discharge shut-off valve, open the faucets, and remove the stopper to drain the sink.
5. The pump will start. Adjust the discharge shut-off/flow balancing valve until the pump runs continuously while the faucets are running and the sink is draining. If the water level rises with the pump on, slightly open the discharge valve to balance the flow. If it drops, slightly close the discharge valve.

## Washing Machine Use

Washing machines usually discharge more water than the faucets do, and it is normal for the water level to rise in the sink while the pump is discharging. Do not adjust the discharge valve to match the flow when the washing machine discharges into it, unless the sink is ONLY used for washing machine discharge.



**Figure 3: Pump Removal.**

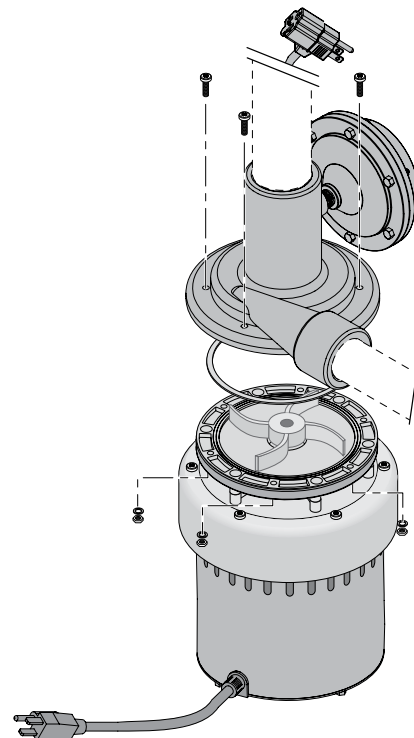
**NOTICE:** Washing machine discharge water contains fiber and lint. Unfiltered washing machine discharge could plug the pump and require pump disassembly for cleaning. To avoid this, install a lint trap or bag type filter in the washing machine discharge line and clean it out regularly.

## MAINTENANCE

This pump requires very little maintenance and should provide a long service life. Problems are rare; when the pump flow drops off, the most likely cause is something solid going down the drain and jamming the impeller.

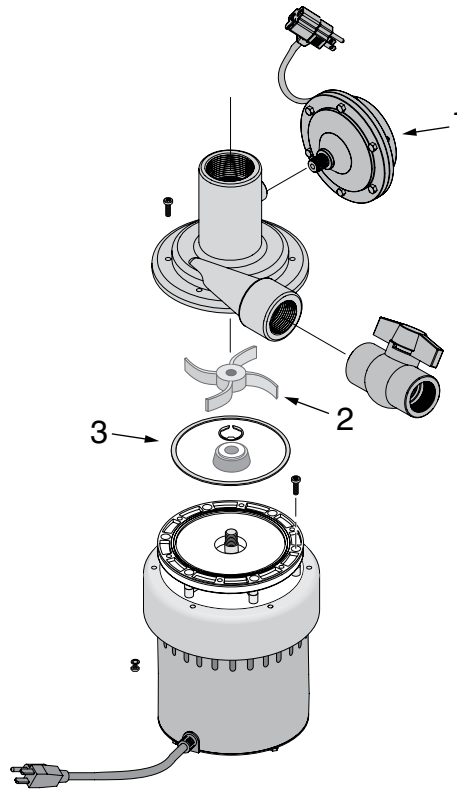
To clear a jammed impeller:

1. Unplug the Pump.
2. Close the discharge shutoff valve.
3. Bail out the sink as much as possible.
4. Disconnect the union, unscrew the pump from the sink tail piece, lower the pump to the floor, and slide it out from under the sink (see Figure 3).
5. Remove the six housing screws (see Figure 4).
6. Clean out the pump. Make sure that the pump discharge is clear. If necessary, replace the impeller.
7. Install the new gasket (included with impeller). Reassemble the pump.
8. Raise the pump back into position, thread it back onto the sink tail piece, and reconnect the union.
9. Plug in the pump. Run water in the sink until the pump has run at least one complete cycle to make sure the pump is operating correctly and there are no leaks.



**Figure 4: Remove 6 housing screws to clean out pump.**

SYMPTOM	POSSIBLE CAUSE(S)	CORRECTIVE ACTION
Pump does not run when water flows in from sink	Pump unplugged. Outlet unpowered. Pump impeller jammed. Sink stopper in drain.	Plug in pump. Check fuse / breaker. Unplug pump; follow procedure under "Maintenance" to clear pump. Remove stopper.
Pump runs, but does not empty sink	Drain clogged. Clogged discharge line. Shut-off valve closed. System discharge line too high or too long. Check valve installed backwards	Clear drain screen. Unplug pump, open and clear discharge line. Open shut-off valve slightly. Unplug pump and reduce height or length of discharge line (11' Max. Height). Make sure flow arrow on check valve points away from pump.
Pump cycles on and off when no water is in the sink	Check valve not installed. Check valve jammed.	Unplug pump and install check valve (see Figures 2 and 3, Pages 3 and 4). Unplug pump; open discharge line and clean check valve.
Pump cycles on and off when the sink is at maximum water flow or is full	Shut-off valve not adjusted. Shut-off valve not installed.	See "Adjusting the Flow", Page 3. Unplug pump and install shut-off valve (see Figures 2 and 3, Pages 3 and 4).



### REPAIR KIT, Part No. PS20-137REP

Key No.	Part Description	Qty.
	Kit Includes:	
1	Diaphragm Switch	1
2	Impeller	1
3	Gasket	1

### Limited Warranty

F.E. MYERS warrants to the original consumer purchaser ("Purchaser" or "You") of the products listed below, that they will be free from defects in material and workmanship for the Warranty Period shown below.

Product	Warranty Period
Jet pumps, small centrifugal pumps, submersible pumps and related accessories	<i>whichever occurs first:</i> 12 months from date of original installation, or 18 months from date of manufacture
Fibrewound Tanks	5 years from date of original installation
Steel Pressure Tanks	5 years from date of original installation
Sump/Sewage/Effluent Products	12 months from date of original installation, or 24 months from date of manufacture

Our warranty will not apply to any product that, in our sole judgement, has been subject to negligence, misapplication, improper installation, or improper maintenance. Without limiting the foregoing, operating a three phase motor with single phase power through a phase converter will void the warranty. Note also that three phase motors must be protected by three-leg, ambient compensated, extra-quick trip overload relays of the recommended size or the warranty is void.

Your only remedy, and F.E. MYERS's only duty, is that F.E. MYERS repair or replace defective products (at F.E. MYERS's choice). You must pay all labor and shipping charges associated with this warranty and must request warranty service through the installing dealer as soon as a problem is discovered. No request for service will be accepted if received after the Warranty Period has expired. This warranty is not transferable.

F.E. MYERS SHALL NOT BE LIABLE FOR ANY CONSEQUENTIAL, INCIDENTAL, OR CONTINGENT DAMAGES WHATSOEVER. THE FOREGOING LIMITED WARRANTIES ARE EXCLUSIVE AND IN LIEU OF ALL OTHER EXPRESS AND IMPLIED WARRANTIES, INCLUDING BUT NOT LIMITED TO IMPLIED WARRANTIES OF MERCHANTABILITY AND FITNESS FOR A PARTICULAR PURPOSE. THE FOREGOING LIMITED WARRANTIES SHALL NOT EXTEND BEYOND THE DURATION PROVIDED HEREIN.

Some states do not allow the exclusion or limitation of incidental or consequential damages or limitations on the duration of an implied warranty, so the above limitations or exclusions may not apply to You. This warranty gives You specific legal rights and You may also have other rights which vary from state to state.

This Limited Warranty is effective June 1, 2011 and replaces all undated warranties and warranties dated before June 1, 2011.

**F.E. MYERS**  
**293 Wright Street, Delavan, WI 53115**  
**Phone: 888-987-8677 • Fax: 800-426-9446 • [www.femyers.com](http://www.femyers.com)**  
**In Canada: P. O. Box 9138, 269 Trillium Dr., Kitchener, Ontario N2G 4W5**  
**Phone: 519-748-5470 • Fax: 888-606-5484**

## LIRE ET OBSERVER TOUTES CES CONSIGNES DE SÉCURITÉ!

**⚠** Ce symbole indique qu'il faut être prudent. Lorsque ce symbole apparaît sur la pompe ou dans cette Notice, rechercher une des mises en garde qui suivent, car elles indiquent une possibilité de blessures corporelles.

**⚠ DANGER** avertit d'un danger qui causera des blessures corporelles, la mort ou des dommages matériels importants si on l'ignore.

**⚠ AVERTISSEMENT** avertit d'un danger qui risque de causer des blessures corporelles, la mort ou des dommages matériels importants si on l'ignore.

**⚠ ATTENTION** avertit d'un danger qui causera ou qui risquera de causer des blessures corporelles, la mort ou des dommages matériels importants si on l'ignore.

Le mot **REMARQUE** indique des instructions spéciales et importantes n'ayant aucun rapport avec les dangers.

**Lire et observer attentivement toutes les consignes de sécurité contenues dans cette Notice et collées sur la pompe.**

Garder les autocollants de sécurité en bon état.

Remplacer ceux qui manquent ou qui sont endommagés.

1. Lire attentivement cette Notice. Ne pas respecter les consignes qui y figurent risque de causer de graves blessures corporelles et/ou des dommages matériels.
2. Avant de procéder à l'installation, vérifier les codes de la municipalité et s'y conformer.
3. Brancher la pompe sur un circuit séparé, en s'assurant qu'aucun autre appareil n'y est branché. Faire appel à un électricien qualifié pour tous les câblages.

**REMARQUE :** Il n'est pas nécessaire de brancher cette pompe sur le conduit de ventilation principal, conformément au « National Plumbing Code » (NSPC) 2003, section 11.7.9.

**⚠ AVERTISSEMENT** Tension dangereuse. Risque de secousses électriques, de brûlures voire de mort. Avant d'intervenir sur la pompe, la débrancher.

## DESCRIPTION

Cette pompe est conçue pour être branchée sur l'about d'un évier non doté d'une conduite de vidange par gravité. Dès que la pompe détectera de l'eau, elle démarrera. Elle peut être branchée sur un évier de buanderie de sous-sol, le minibar ou un évier auxiliaire.

## SPÉCIFICATIONS

Courant requis.....115 volts, 60 Hz  
 Températures du liquide..... De 32 à 120 °F (de 0 à 50 °C)  
 Circuit séparé requis ..... 15 ampères minimum  
 Aspiration de la pompe.....1 1/2 pouce fileté  
 Refoulement de la pompe .....1 1/4 pouce fileté

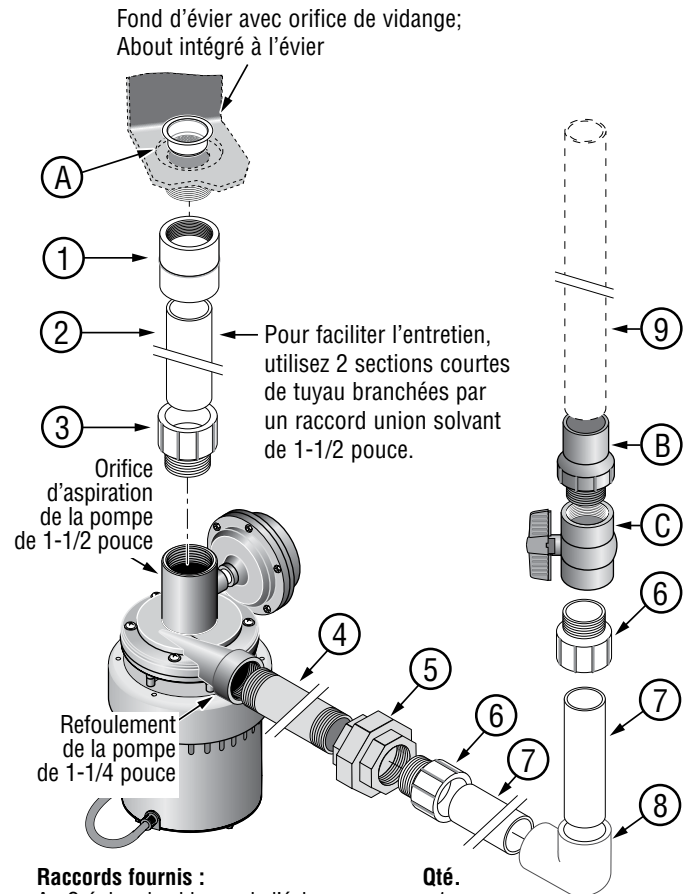
**⚠ AVERTISSEMENT** Risque d'incendie ou d'explosion. Ne pas utiliser dans une atmosphère explosive. Ne pomper que de l'eau douce avec cette pompe. Son utilisation avec de l'eau salée ou de saumure annulera la garantie.

**Avertissement lié à la Proposition 65 de la Californie**

**⚠ AVERTISSEMENT** Ce produit et les accessoires connexes contiennent des produits chimiques reconnus dans l'État de la Californie comme pouvant provoquer des cancers, des anomalies congénitales ou d'autres dangers relatifs à la reproduction.

## INSTALLATION (VOIR LES FIGURES 1 ET 2)

**⚠ AVERTISSEMENT** Risque de secousses électriques. Ne brancher cette pompe que dans une prise de courant adéquatement mise à la terre et protégée par un disjoncteur de fuite à la terre. NE PAS la brancher tant qu'elle n'est pas complètement installée. Ne pas enlever ni modifier les broches de mise à la terre sur les fiches.



Raccords fournis :	Qté.
A Crépine de vidange de l'évier	1
B Clapet antiretour coulissant de 1-1/4 x 1-1/4 pouce fileté	1
C Clapet à bille de 1-1/4 pouce fileté	1

Achats séparés :	Qté.
1 Adaptateur femelle couissant 1-1/2 x 1-1/2 pouce fileté	1
2 Tuyau en PVC de série 40 de 1-1/2 pouces fileté, ajustés	1
3 Adaptateur mâle couissant de 1-1/2 x 1-1/2 pouce fileté	1
4 Mamelon galvanisé de 1-1/4 pouce fileté (ajusté)	1
5 Raccord union galvanisé de 1-1/4 pouce fileté	1
6 Adaptateurs mâles de 1-1/4 x 1-1/4 pouce fileté	2
7 Tuyaux en PVC de série 40 de 1-1/4 pouce, ajustés	4
8 Coude 90° à 2 emboîtures de 1-1/4 pouce	1
9 Tuyau d'égoût en PVC de série 40 de 1-1/4 pouce,	1
Ciment pour tuyau en PVC	Selon les besoins
Ruban d'étanchéité en PTFE pour filetage	Selon les besoins
Raccord union solvant en plastique de 1-1/2 pouce (Pour colonne descendante - Facultatif)	Selon les besoins

**NOTE :** Assurez-vous d'éviter la déformation du filetage. N'utilisez qu'un composé pour filetage de tuyaux compatible avec le plastique ou un ruban d'étanchéité en PTFE pour filetage lorsque vous branchez des raccords filetés à des adaptateurs en plastique.

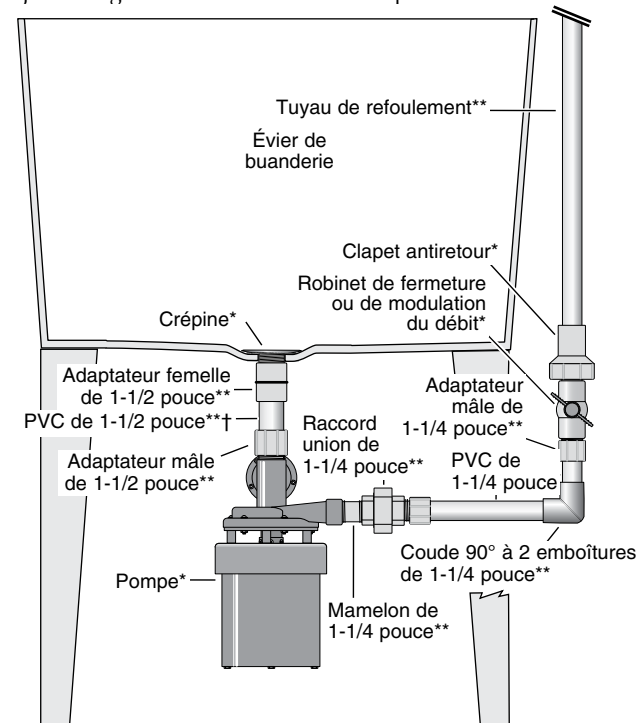
**Figure 1 : Méthode type de fixation de la pompe.**

## INSTALLATION DE LA POMPE

### Fixation de la pompe

**NOTE :** N'utilisez PAS un composé pour filetage de tuyaux (« pâte lubrifiante ») sur des tuyaux en plastique; il peut endommager le plastique, causer des fuites et des défaillances de la tuyauterie et rendre votre garantie nulle et sans effet.

1. Placez l'évier dans sa position finale.
2. Enlevez tout raccord de drain existant jusqu'à l'about (Figure 1). Assurez-vous que l'about existant ne coule pas.  
**NOTE :** Si l'about du tuyau d'évacuation de l'évier n'est pas de 1-1/2 pouce fileté, il faudra que vous l'adaptiez (brossages, réducteurs, etc.). Dans ce cas, enveloppez tous les joints avec du ruban d'étanchéité en PTFE pour filetage avant de faire les branchements.
3. Collez le tuyau en PVC de 1-1/2 pouce dans un adaptateur femelle (achetez séparément).  
**⚠ AVERTISSEMENT Danger d'incendie et d'explosion.** Assurez-vous de suivre les instructions du fabricant de ciment quand vous utilisez du ciment PVC. Ne l'utilisez pas près du feu ou d'une flamme nue.
4. Enveloppez le filetage de l'about de 1 à 1-1/2 tour de ruban d'étanchéité en PTFE pour filetage. Filetez l'adaptateur femelle de 1-1/2 pouce fileté dans l'about du tuyau d'évacuation de l'évier. Serrez manuellement le filetage et tournez-le ensuite 1/2 tour avec une clé à tube ou une pince à jointure glissante. Ne serrez PAS trop fort.
5. Enveloppez le filetage de l'adaptateur mâle de 1-1/2 pouce de 1 à 1-1/2 tour de ruban d'étanchéité en PTFE pour filetage et installez-le dans l'orifice d'aspiration de la pompe. Serrez manuellement le filetage et tournez-le ensuite 1/2 tour avec une clé à tube ou une pince à jointure glissante. Ne serrez PAS trop fort!



\* Requis et inclus  
\*\* Achetez séparément

† Pour pouvoir l'enlever facilement pour l'entretien ou le nettoyage, installez un raccord union solvant de 1-1/2 pouce dans la colonne descendante.

**Figure 2 : Pompe installée.**

6. Mesurez un tuyau en PVC de 1-1/2 pouce contre le tuyau d'évacuation et la pompe et taillez le tuyau de manière à ce qu'il soit ajusté.
7. Faites un essai d'assemblage (sec – sans colle) de la pompe sur le tuyau d'évacuation. Balancez la pompe jusqu'à ce qu'elle soit alignée adéquatement avec la tuyauterie de refoulement et marquez alors la pompe et l'assemblage du tuyau d'aspiration/adaptateur pour pouvoir installer la pompe adéquatement à l'étape 8. Placez un support temporaire sous la pompe pour diminuer la pression sur la tuyauterie d'évacuation pendant que la colle se fixe. Laissez-le en place pendant que vous mesurez et coupez la tuyauterie de refoulement (Étape 12).
8. Glissez la pompe en position et collez le tuyau dans l'adaptateur mâle (sur la pompe).
  - Veillez à ne pas déposer de la colle sur la pompe ni laisser la colle pénétrer le moteur;
  - Assurez-vous d'orienter la pompe dans la bonne direction (appariez les marques de l'étape 7);
  - Placez le support sous le moteur.
9. Enveloppez le mamelon galvanisé de 1-1/4 pouce de 1-1/2 à 2 tours de ruban d'étanchéité en PTFE pour filetage à chaque bout et filetez-le dans l'orifice de refoulement.  
**NOTE :** Serrez-le seulement suffisamment pour prévenir des fuites. S'il est trop serré, le plastique pourrait craquer.
10. Tenez le mamelon avec une clé à tube et filetez-la dans la moitié du raccord d'union de 1-1/4 pouce, serrez manuellement 1-1/2 tour de plus avec une clé à tube ou une pince à jointure glissante.
11. Maintenant, enveloppez le filetage des deux adaptateurs mâles de 1-1/4 pouce de 1-1/2 à 2 tours de ruban d'étanchéité en PTFE pour filetage. Filetez un des adaptateurs dans l'autre moitié du raccord d'union de 1-1/4 pouce, serrez manuellement 1/2 tour de plus avec une clé à tube ou une pince à jointure glissante. Ne serrez PAS trop fort!
12. Installez la tuyauterie de refoulement tel qu'indiqué aux figures 1 et 2. La séquence est :  
Tuyau en PVC de 1-1/4 pouce taillé sur mesure,  
Coude de 90° à 2 emboîtures,  
Tuyau en PVC de 1-1/4 pouce taillé sur mesure,  
Adaptateur mâle,  
**Robinet de fermeture ou de modulation du débit,**  
**Clapet antiretour,**  
(**NOTE :** Installez le clapet antiretour dans le tuyau de refoulement vertical avec le filetage vers le bas. Assurez-vous que la flèche du débit est orientée dans le sens OPPOSÉ de la pompe. Ce qui veut dire que, quand le clapet antiretour est bien installé, la flèche indiquant la direction du débit devrait être orientée vers le HAUT.)  
Tuyau de refoulement de 1-1/4 pouce.
13. Branchez la tuyauterie de refoulement au collecteur général.

### Branchement de la pompe

APRÈS avoir bien installé la pompe, la brancher dans une prise de courant adéquatement mise à la terre et protégée par un disjoncteur de fuite à la terre.



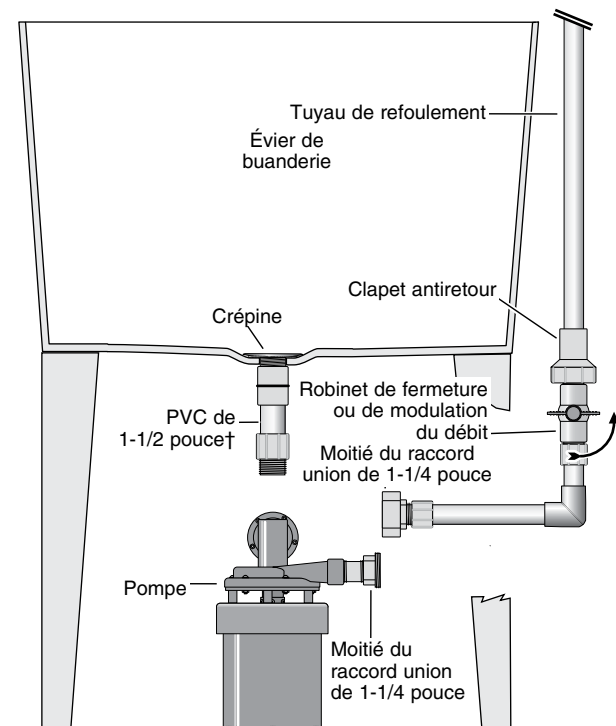
## Réglage du débit

Cette pompe peut pomper jusqu'à 27 gallons par minute. L'écoulement normal d'un évier est d'environ 5 à 6 gallons par minute. Régler le robinet d'équilibrage et de fermeture du refoulement en procédant comme il est indiqué ci-dessous de façon que la pompe ne fonctionne pas et s'arrête constamment lorsque les robinets sont complètement ouverts.

1. Faire couler l'eau dans l'évier. La pompe démarrera dès qu'elle détectera de l'eau.
2. S'assurer qu'il n'y a pas de fuite. Si vous trouvez des fuites, débranchez le cordon d'alimentation de la pompe et réparez les fuites avant de continuer.
3. Boucher la crépine jusqu'à ce qu'il y ait quelques pouces d'eau dans l'évier.
4. Ouvrez le robinet de fermeture du refoulement, ouvrez les robinets et enlevez le bouchon pour vider l'évier.
5. La pompe démarrera. Régler le robinet d'équilibrage et de fermeture du refoulement jusqu'à ce que la pompe fonctionne continuellement pendant que les robinets sont complètement ouverts et que l'évier se vide. Si le niveau d'eau monte dans l'évier pendant que la pompe fonctionne, ouvrir légèrement plus le robinet du refoulement pour équilibrer le débit. Si la pompe s'arrête, fermer légèrement le robinet du refoulement.

## Utilisation avec une laveuse

Habituellement, le débit des laveuses est supérieur à celui d'un robinet. Il sera donc normal que le niveau de l'eau monte dans l'évier pendant que la pompe fonctionne. Ne pas régler le robinet du refoulement pour qu'il corresponde au débit pendant que la laveuse refoule l'eau, à moins que l'évier ne soit utilisé QUE pour refouler l'eau de la laveuse.



† Pour pouvoir l'enlever facilement pour l'entretien ou le nettoyage, installez un raccord union solvant de 1-1/2 pouce dans la colonne descendante.

Figure 3 : Dépose de la pompe

**REMARQUE:** L'eau refoulée par une laveuse contient des fibres et des peluches. La pompe risque de se boucher si elle pompe de l'eau non filtrée d'une laveuse. Dans ce cas, la démonter et la nettoyer. Pour que la pompe ne se bouche pas, poser une crépine à peluche ou un filtre de type à sac dans la conduite de refoulement de la laveuse. Nettoyer ces composants périodiquement.

## ENTRETIEN

Cette pompe ne nécessite que très peu d'entretien et fonctionnera pendant de nombreuses années. Les problèmes sont rares. Si le débit de la pompe baisse, cet incident sera vraisemblablement causé par un corps étranger tombé dans le drain et qui aura coincé la roue de la pompe.

Pour dégager une roue coincée:

1. Débrancher la pompe.
2. Fermer le robinet du refoulement.
3. Vider le plus possible l'évier.
4. Débranchez le raccord union, dévissez la pompe de l'about de l'évier, descendez la pompe jusqu'au plancher et glissez-la de dessous l'évier (voir Figure 3).
5. Déposer les six vis du corps de la pompe. (Voir la Figure 4).
6. Nettoyer la pompe. S'assurer que le refoulement de la pompe est dégagé. Remplacer l'impulseur au besoin.
7. Poser le nouveau joint (inclus avec l'impulseur). Remonter la pompe.
8. Levez la pompe vers sa position originale, filetez-la de nouveau sur l'about de l'évier et rebranchez le raccord union.
9. Rebrancher la pompe. Faire couler l'eau dans l'évier jusqu'à ce que la pompe fonctionne au moins sur un cycle complet pour s'assurer qu'elle fonctionne adéquatement et qu'il n'y a pas de fuite.

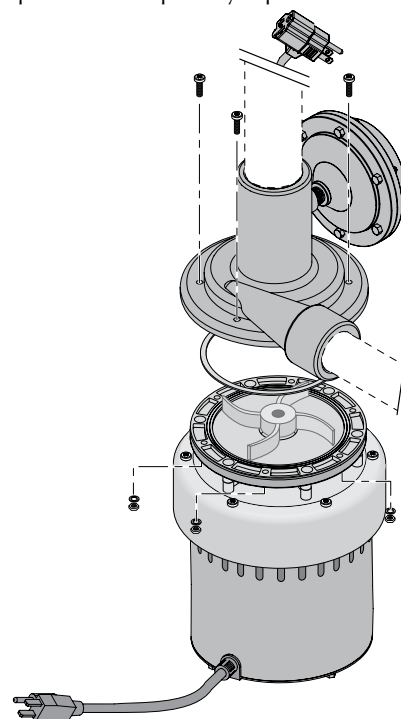
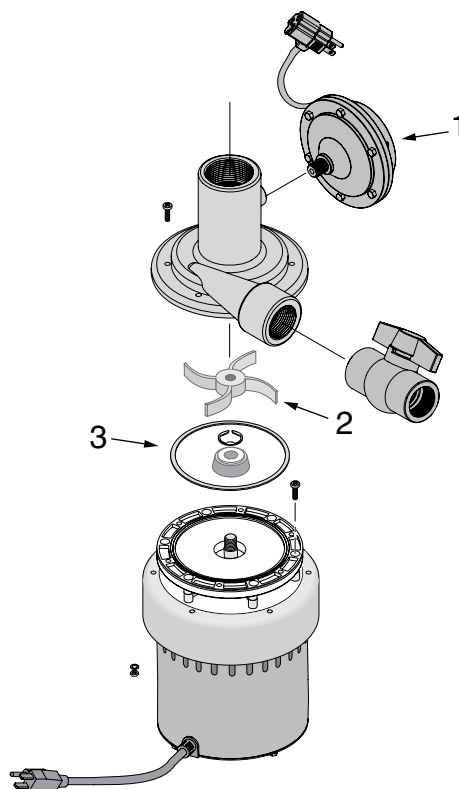


Figure 4 : Déposer les six vis du corps de la pompe pour la nettoyer.

INCIDENTS	CAUSES POSSIBLES	REMÈDES
La pompe ne démarre pas lorsque l'eau coule dans l'évier.	La pompe est débranchée. La prise de courant n'est pas alimentée. La roue de la pompe est coincée.  La Crépine de l'évier est bouchée	Brancher la pompe. Vérifier le fusible/disjoncteur. Débrancher la pompe; suivre les indications sous « Entretien » pour dégager la pompe. Enlever le bouchon.
La pompe fonctionne, mais ne vide pas l'évier.	La vidange est bouchée. La conduite de refoulement est  Le robinet de fermeture est fermé. La conduite de refoulement du système est trop haute ou trop longue. Le clapet antiretour est installé à l'envers.	Nettoyer la crépine de la bonde de l'évier. Débrancher la pompe, ouvrir la conduite de refoulement et la bouchée. dégager. Fermer légèrement le robinet de fermeture. Débrancher la pompe et raccourcir la hauteur ou la longueur de la conduite de refoulement (hauteur maximale de 11 pieds). S'assurer que la flèche du clapet antiretour indiquant le sens du débit est orientée à l'opposé de la pompe.
La pompe démarre et s'arrête alors qu'il n'y a pas d'eau dans l'évier.	Un clapet antiretour n'est pas installé. Le clapet antiretour est coincé.	Débrancher la pompe et installer un clapet antiretour. (Voir les Figures 2 et 3, pages 3 et 4). Débrancher la pompe. Ouvrir la conduite de refoulement et le nettoyer clapet antiretour.
La pompe démarre et s'arrête alors que le débit de l'évier est au maximum ou que l'évier est plein.	Le robinet de fermeture n'est pas réglé. Un robinet de fermeture n'est pas installé.	Voir « Réglage du débit », page 3. Débrancher la pompe et poser un robinet de fermeture. (Voir les Figures 2 et 3, pages 3 et 4).



## TROUSSE DE RÉPARATION, Pièce no PS20- 137REP

Réf.	Designation des pièces	Qté.
1	La trousse comprend :	
1	Interrupteur à diaphragme	1
2	Impulseur	1
3	Joint	1

## Garantie limitée

F.E. MYERS garantit au consommateur initial (ci-après appelé l'« Acheteur ») que les produits énumérés dans les présentes sont exempts de défaut de matériau et de fabrication pendant la durée de la garantie à compter de la durée des garanties indiquées ci-dessous.

Produits	Durée des garanties
Pompes à éjecteur, petites pompes centrifuges, pompes submersibles et tous les accessoires connexes	<i>Selon le premier terme atteint :</i> 12 mois à compter de la date de la première installation ou 18 mois à compter de la date de fabrication
Réservoirs en fibre de verre	5 ans à compter de la date de la première installation
Réservoirs sous pression en acier	5 ans à compter de la date de la première installation
Produits de puisard/d'égout/d'effluents	12 mois à compter de la date de la première installation ou 24 mois à compter de la date de fabrication

Nos garanties ne s'appliquent pas aux produits ayant fait l'objet de négligence, d'une mauvaise utilisation, d'une mauvaise installation ou d'un manque d'entretien adéquat. Sans aucune limitation des présentes, la garantie des moteurs triphasés submersibles sera nulle et non avenue si ces moteurs sont branchés et fonctionnent sur le courant monophasé par l'intermédiaire d'un déphaseur. Il faut également noter que les moteurs triphasés doivent être protégés par un relais de surcharge tripolaire thermocompensé à déclenchement extrêmement rapide du calibre recommandé, sinon la garantie sera nulle et non avenue.

Le seul recours de l'Acheteur et la seule responsabilité de F.E. MYERS consistent à réparer ou à remplacer (au choix de F.E. MYERS) les produits qui se révéleraient défectueux. L'Acheteur s'engage à payer tous les frais de main d'œuvre et d'expédition du produit couvert par sa garantie et de s'adresser au concessionnaire-installateur ayant procédé à l'installation dès qu'un problème est découvert pour obtenir un service sous garantie. Aucune demande de service en vertu de sa garantie ne sera acceptée après expiration de la durée de sa garantie. Ces garanties ne sont pas transférables.

F.E. MYERS DÉCLINE TOUTE RESPONSABILITÉ POUR TOUT DOMMAGE INDIRECT OU FORTUIT QUEL QU'IL SOIT.

LA GARANTIE LIMITÉE SUSMENTIONNÉE EST EXCLUSIVE ET REMPLACE TOUTES LES AUTRES GARANTIES EXPRESSES ET TACITES, Y COMPRIS, MAIS SANS S'Y LIMITER, LES GARANTIES DE QUALITÉ MARCHANDE ET D'ADAPTATION À UN USAGE PARTICULIER. LA GARANTIE LIMITÉE SUSMENTIONNÉE NE DOIT PAS ÊTRE PROLONGÉE AU-DELÀ DE LA DURÉE PRÉVUE AUX PRÉSENTES.

Certains états, territoires et certaines provinces ne permettent pas l'exclusion ou la limitation des dommages indirects ou fortuits, ni les limitations relatives à la durée des garanties tacites. Par conséquent, il se peut que les limitations ou les exclusions stipulées dans les présentes ne s'appliquent pas dans ce cas. Ces garanties accordent des droits juridiques précis, bien que l'on puisse bénéficier d'autres droits, selon la province, le territoire ou l'état dans lequel on réside.

La présente garantie limitée est entrée en vigueur le 1er juin 2011 et remplace toute garantie non datée ou antérieure à cette date.

### F.E. MYERS

293 Wright Street, Delavan, WI 53115

Tél. : 888-987-8677 • Téléc. : 800-426-9446 • [www.femyers.com](http://www.femyers.com)

Au Canada : P. O. Box 9138, 269 Trillium Dr., Kitchener, Ontario N2G 4W5

Tél.: 519-748-5470 • Téléc.: 888-606-5484

## ¡LEA Y SIGA LAS INSTRUCCIONES DE SEGURIDAD!

**⚠️ Este es el símbolo de alerta de seguridad.** Cuando vea este símbolo en su bomba o en este manual, busque alguna de las siguientes palabras de advertencia y esté alerta a la posibilidad de lesiones personales:

**⚠️ PELIGRO** advierte acerca de los peligros que **provocarán** lesiones personales graves, muerte o daños materiales considerables si se ignoran.

**⚠️ ADVERTENCIA** advierte acerca de los peligros que **pueden** provocar lesiones personales graves, muerte o daños materiales considerables si se ignoran.

**⚠️ PRECAUCIÓN** advierte acerca de los peligros que **provocarán** o **podrán** provocar lesiones personales o daños materiales menores si se ignoran.

La etiqueta **AVISO** indica instrucciones especiales que son importantes pero que no están relacionadas con los peligros.

**Lea y siga cuidadosamente todas las instrucciones de seguridad en este manual y en la bomba.**

Mantenga las etiquetas de seguridad en buen estado.

Reemplace las etiquetas de seguridad faltantes o dañadas.

1. Lea este manual con atención. Si se hace caso omiso a estas instrucciones, pueden ocurrir lesiones corporales graves y/daños materiales.
2. Verifique sus códigos locales antes de realizar la instalación. Usted debe cumplir con sus reglas.
3. Conecte la bomba a un ramal separado sin ningún otro aparato en el circuito. Consulte a un electricista certificado para realizar todo el cableado.

**AVISO:** Esta bomba no requiere una conexión a la columna de ventilación primaria, según el National Standard Plumbing Code (NSPC) 2003, Sección 11.7.9.

**⚠️ ADVERTENCIA** **Tensión peligrosa. Puede provocar choque, quemaduras o muerte.** Desenchufe la bomba antes de realizar trabajos en la misma.

## DESCRIPCIÓN

Esta bomba ha sido diseñada para usarse con un fregadero en donde no se dispone de una tubería de desagüe por gravedad. Conecte la bomba a la pieza de conexión de desagüe; la bomba se encenderá cuando el agua comience a drenar. Los usos incluyen tinas de lavandería en sótanos, frigobares y fregaderos de uso general.

## ESPECIFICACIONES

Suministro de potencia requerido..... 115V, 60 HZ.  
 Gama de temperatura del líquido ..... 32 - 120 F (0 - 50 C)  
 Requiere un ramal individual (min.)..... 15 Amperios  
 Admisión de la bomba ..... 1-1/2" NPT  
 Descarga de la bomba..... 1-1/4" NPT

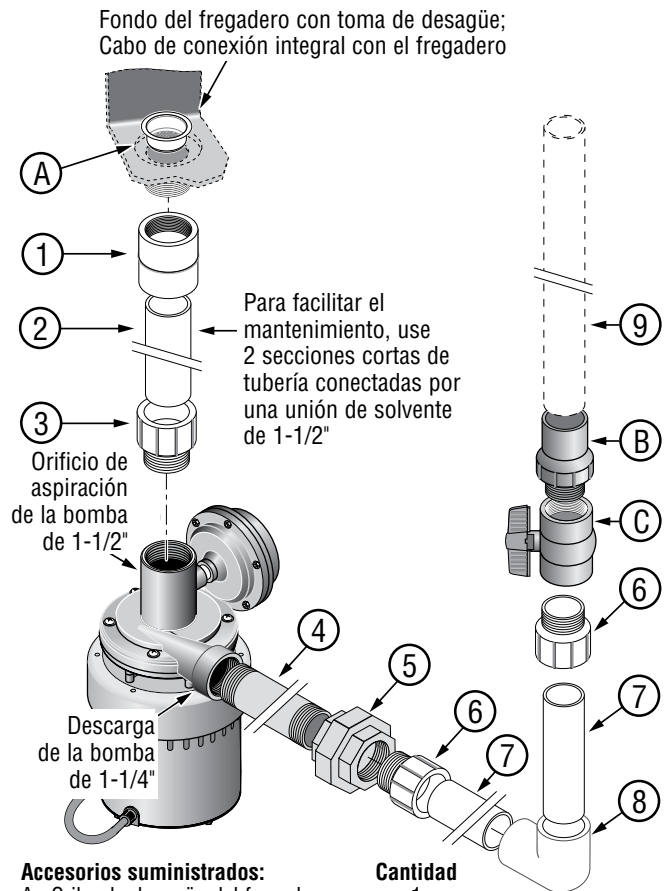
**⚠️ ADVERTENCIA** **Peligro de incendio o de explosión.** No usar en atmósferas explosivas. Bombear sólo agua con esta bomba. Sólo bombee agua dulce con esta bomba. El uso con agua salada o salmuera invalidará la garantía.

### Advertencia de la Proposición 65 de California

**⚠️ ADVERTENCIA** Este producto y accesorios relacionados contienen sustancias químicas reconocidas en el Estado de California como causantes de cáncer, malformaciones congénitas y otros daños al sistema reproductivo.

## INSTALACIÓN (VER FIGURAS 1 Y 2)

**⚠️ ADVERTENCIA** **Peligro de choque eléctrico.** Enchufe la bomba en un tomacorriente debidamente puesto a tierra y protegido por un disyuntor de escape a tierra, (GFCI). NO enchufe la bomba hasta después de haber terminado la instalación. No retire ni modifique las clavijas de conexión a tierra en las fichas.



Accesorios suministrados:	Cantidad
A Criba de desagüe del fregadero	1
B Válvula corrediza de retención de 1-1/4" NPT x 1-1/4"	1
C Válvula de bola de 1-1/4" NPT	1

Comprar por separado:	Cantidad
1 Adaptador corredizo hembra de 1-1/2" NPT x 1-1/2"	1
2 Tubería de PVC de 1-1/2", categoría 40, para adaptar	1
3 Adaptador corredizo macho de 1-1/2" NPT x 1-1/2"	1
4 Entrerrosca galvanizada de 1-1/4" NPT (para adaptar)	1
5 Unión galvanizada de 1-1/4" NPT	1
6 Adaptador macho de 1-1/4" NPT x 1-1/4"	2
7 Tubería de PVC de 1-1/4", categoría 40, para adaptar	4
8 Codo de 90° de dos boquillas de 1-1/4"	1
9 Tubería de PVC de 1-1/4", categoría 40, para el desagüe	Lo requerido
Pegamento para tuberías de PVC	Lo requerido
Cinta selladora de PTFE para roscas de tubería	Lo requerido
Unión de solvente de plástico de 1-1/2" (para la tubería descendente - opcional)	

**NOTA:** Tenga cuidado de evitar enroscar en forma cruzada; Use sólo un compuesto para enroscar tuberías de plástico o cinta selladora de PTFE para roscas de tubería.

**Figura 1: Método típico de instalación de la bomba.**

## INSTALACIÓN DE LA BOMBA

### Montaje de la bomba

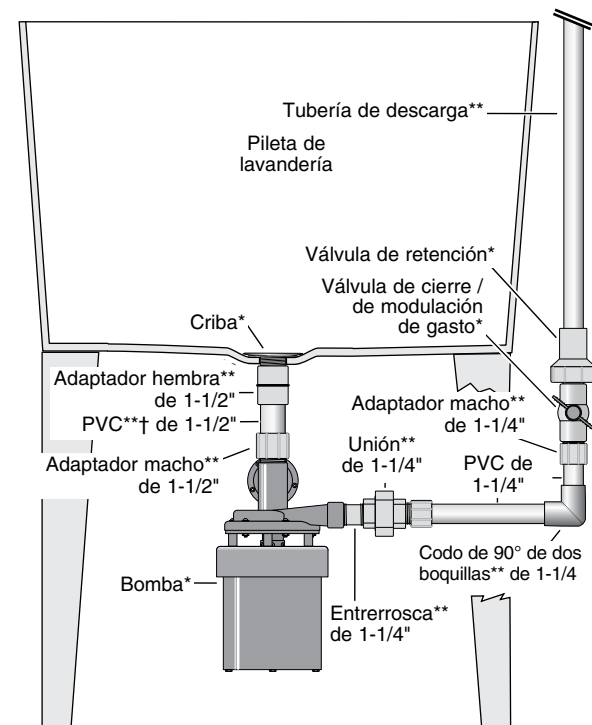
**AVISO:** NO use un compuesto de plomería para roscas de tuberías (compuesto lubricante) en tuberías de plástico, ya que puede dañar el plástico, provocar fugas y fallas en la tubería e invalidará la garantía.

1. Coloque el fregadero/la pileta en la ubicación final.
2. Saque todos los accesorios de desagüe presentes hasta el cabo de conexión (Figura 1). Verifique que el cabo de conexión presente no tenga fugas.  
**AVISO:** Si el cabo de conexión de desagüe del fregadero/de la pileta no es fileteada de 1-1/2" NPT, tendrá que adaptarlo (cojinetes, reductores, etc.). En este caso, envuelva todas las juntas con cinta selladora de PTFE para roscas de tubería antes de hacer las conexiones.
3. Adhiera la tubería de PVC de 1-1/2" dentro del adaptador hembra (se compra por separado).

**⚠ ADVERTENCIA Peligro de incendio y de explosión.**

Asegúrese de seguir las instrucciones del fabricante del pegamento cuando use pegamento de PVC. No lo use cerca del fuego o de llamas abiertas.

4. Envuelva las roscas del cabo de conexión con 1 a 1-1/2 vuelta de cinta selladora de PTFE para roscas de tubería. Enrosque el adaptador hembra de 1-1/2" NPT en el cabo de conexión de desagüe del fregadero/de la pileta. Enrósqelo a mano, 1/2 vuelta más con una llave de tubería o con pinzas ajustables. NO apriete demasiado.
5. Envuelva las roscas del adaptador macho de 1-1/2" con 1 a 1-1/2 vuelta de cinta selladora de PTFE para roscas de



- \* Requerido e incluido
- \*\* Comprar por separado
- † Para facilitar la remoción de la bomba durante algún servicio o limpieza, instale una unión de solvente de 1-1/2" en la tubería descendente.

**Figura 2: Bomba instalada**

- tubería y colóquelo en la admisión de la bomba. Apriételo a mano 1/2 vuelta más con una llave de tubería o con pinzas ajustables. ¡NO apriete demasiado!
6. Mida la tubería de PVC de 1-1/2" PVC contra el desagüe y la bomba y recorte la tubería para adaptarla al tamaño correcto.
7. Haga una prueba para armar la bomba (en seco - sin pegamento) en la tubería de desagüe. Haga balancear la bomba hasta que quede precisamente orientada hacia la tubería de desagüe, y luego marque tanto la bomba como la unidad de la tubería de admisión/adaptador, para poder instalar la bomba correctamente en el Paso 8. Coloque un soporte provisional debajo de la bomba para aliviar la tensión sobre la tubería de descarga del fregadero/de la pileta, hasta que el pegamento se haya endurecido. Déjelo en esa posición mientras mide y corta la tubería de descarga (Paso 12).
8. Deslice la bomba hacia arriba en la posición correcta y adhiera la tubería al adaptador macho (en la bomba).
  - No permita ningún depósito de pegamento sobre la bomba o que el pegamento penetre en el motor;
  - Asegúrese de que la bomba esté colocada apuntando hacia la dirección correcta (haga corresponder las marcas hechas en el Paso 7);
  - Coloque el soporte en posición debajo del motor.
9. Envuelva la enterrosca galvanizada de 1-1/4" con 1-1/2 a 2 vueltas de cinta selladora de PTFE para roscas de tubería en cada extremo y enrósquelo en la toma de descarga de la bomba.  
**AVISO:** Apriete esto solamente lo suficiente como para evitar fugas. El plástico se puede rajarse si se aprieta demasiado.
10. Sostenga la enterrosca con una llave para tuberías y enrosque una mitad de la unión de 1-1/4" en ella, apriete a mano 1-1/2 vuelta más con una llave para tuberías o pinzas ajustables.
11. Ahora, envuelva las roscas en ambos adaptadores macho de 1-1/4" con 1-1/2 a 2 vueltas de cinta selladora de PTFE para roscas de tubería. Enrosque uno de los adaptadores en la otra mitad de la unión de 1-1/4", apriete a mano 1/2 vuelta más, con una llave de tuercas o un par de pinzas ajustables. ¡NO apriete demasiado!
12. Instale la tubería de descarga según se ilustra en las Figuras 1 y 2 en el orden siguiente:  
Tubería de PVC de 1-1/4" cortada a la medida,  
Codo de 90° de dos boquillas,  
Tubería de PVC de 1-1/4" cortada a la medida,  
Adaptador macho,  
**Válvula de control de flujo / de bola,**  
**Válvula de retención,**  
(**AVISO:** Instale la válvula de retención en la tubería de descarga vertical con las roscas hacia abajo. Verifique que la flecha del flujo apunte EN LA DIRECCIÓN OPUESTA de la bomba. Es decir, cuando la válvula de retención esté debidamente instalada, la flecha que indica la dirección del flujo deberá apuntar HACIA ARRIBA.)  
Tubería de salida de 1-1/4".
13. Conecte la tubería de descarga al desagüe del edificio.

### Enchufe la bomba

DESPUÉS de haber completado la instalación de la bomba, enchufe el interruptor en un tomacorriente con protección GFCI (disyuntor de escape a tierra), debidamente puesto a tierra. Enchufe la bomba en la parte posterior del interruptor de ficha.

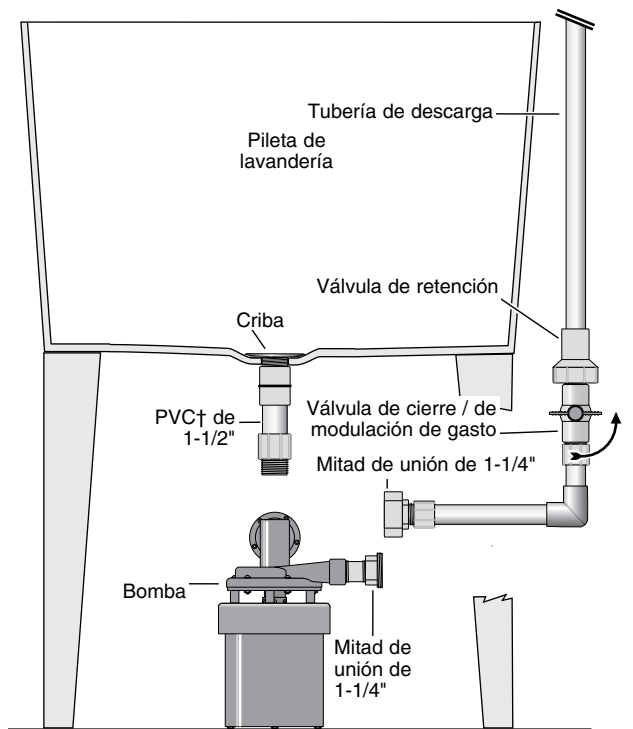
## Cómo regular el flujo

La bomba de drenaje puede bombear hasta 23 galones por minuto (GPM). Los drenajes normales de fregaderos permiten un flujo de sólo 5 a 6 GPM. Ajuste la llave de paso de la descarga / equilibradora de flujo de la siguiente manera para que la bomba no se encienda y se apague continuamente cuando los grifos estén totalmente abiertos.

1. Deje correr agua hacia el fregadero. La bomba se encenderá cuando detecte agua.
2. Verifique que no haya fugas. Si encuentra fugas, desenchufe el cordón eléctrico de la bomba y corrija las fugas antes de continuar.
3. Coloque un tapón en el desagüe y deje que el fregadero se llene unas pulgadas.
4. Abra la válvula de cierre de descarga, abra los grifos y saque el tapón para drenar el fregadero/la pileta.
5. La bomba se encenderá. Ajuste la llave de paso de la descarga / equilibradora de flujo hasta que la bomba marche continuamente mientras los grifos estén abiertos y el fregadero se esté drenando. Si el nivel de agua aumenta con la bomba encendida, abra la válvula de descarga ligeramente para equilibrar el flujo. Si desciende, cierre la válvula de descarga ligeramente.

## Uso con lavarropas

Los lavarropas generalmente descargan más agua que los grifos y es normal que el nivel del agua se eleve en el fregadero mientras la bomba está descargando. No ajuste la válvula de descarga para adaptar el flujo cuando el lavarropas se esté descargando, a menos que el fregadero se use SOLAMENTE para la descarga del lavarropas.



† Para facilitar la remoción de la bomba durante algún servicio o limpieza, instale una unión de solvente de 1-1/2\" en la tubería descendente.

**Figura 3: Remoción de la bomba.**

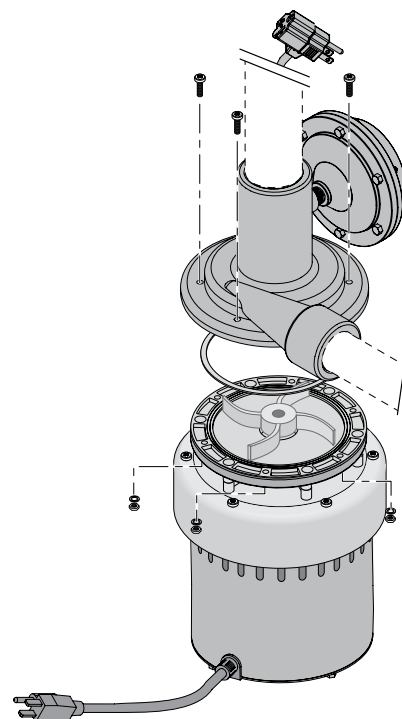
**AVISO:** El agua de descarga del lavarropas contiene fibras y pelusa. Una descarga no filtrada desde un lavarropas puede obturar la bomba, la cual se deberá desarmar para su limpieza. Para evitarlo, instale una trampa de pelusa o un filtro tipo bolsa en la tubería de descarga del lavarropas y límpielos con regularidad.

## MANTENIMIENTO

Esta bomba requiere muy poco mantenimiento y deberá proporcionarle un servicio prolongado. Los problemas son raros; cuando el flujo de la bomba desciende, la causa más probable es que algo sólido pueda haber caído por el desagüe y esté trabando el impulsor.

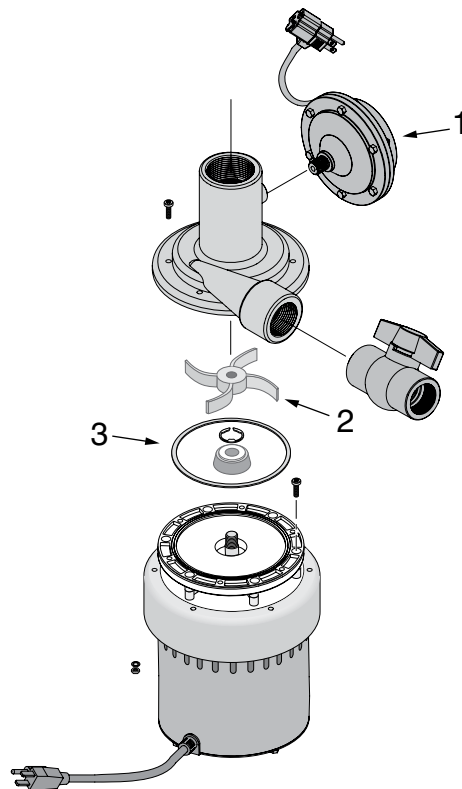
Para limpiar un impulsor atascado:

1. Desenchufe la bomba.
2. Cierre la llave de paso de la descarga.
3. Trate de evacuar el fregadero lo más posible.
4. Desconecte la unión, desatornille la bomba del cabo de conexión del fregadero/de la pileta, baje la bomba al piso y deslícela para sacarla de abajo del fregadero / de la pileta (consulte la Figura 3).
5. Saque los seis tornillos de la caja (consulte la Figura 4).
6. Limpie la bomba. Verifique que la descarga de la bomba esté despejada. De ser necesario, reemplace el impulsor.
7. Instale la nueva junta (incluida con el impulsor). Vuelva a armar la bomba.
8. Eleve y vuelva a colocar la bomba en su posición, enrósquela nuevamente en el cabo de conexión del fregadero / de la pileta, y vuelva a conectar la unión.
9. Enchufe la bomba. Deje correr el agua en el fregadero hasta que la bomba haya marchado al menos por un ciclo completo para verificar que esté funcionando correctamente y que no haya fugas.



**Figura 4: Retire los seis tornillos de la caja para limpiar la bomba.**

SÍNTOMA	POSIBLE(S) CAUSA (S)	MEDICA CORRECTIVA
La bomba no marcha cuando corre agua desde el fregadero	La bomba está desenchufada. El tomacorriente no tiene potencia. El impulsor de la bomba está atascado. Tapón del fregadero en el desagüe.	Enchufe la bomba. Inspeccione el fusible / disyuntor. Desenchufe la bomba; siga el procedimiento indicado en la sección de "Mantenimiento" para despejar la bomba. Saque el tapón.
La bomba marcha, pero no vacía al fregadero	Drenaje obstruido. Tubería de descarga obstruida. Llave de paso cerrada. Tubería de descarga del sistema demasiado alta o demasiado larga. Válvula de retención instalada en posición invertida.	Despeje la malla de drenaje. Desenchufe la bomba, abra y despeje la tubería de descarga. Abra la llave de paso ligeramente. Desenchufe la bomba y reduzca la altura o el largo de la tubería de descarga (altura máxima 11 pies). Verifique que la flecha de flujo en la válvula de retención apunte en la dirección alejada de la bomba.
La bomba se enciende y se apaga continuamente cuando no hay agua en el fregadero	Válvula de retención no instalada Válvula de retención atascada.	Desenchufe la bomba e instale una válvula de retención (consulte las Figuras 2 y 3, páginas 3 y 4). Desenchufe la bomba; abra la tubería de descarga y limpie la válvula de retención.
La bomba se enciende y se apaga continuamente cuando el fregadero está en el máximo flujo de agua o está lleno	Llave de paso no regulada. Llave de paso no instalada.	Consulte "Cómo regular el flujo", página 3. Desenchufe la bomba e instale una llave de paso (consulte las Figuras 2 y 3, páginas 3 y 4).



## PAQUETE PARA REPARACIONES, Pieza de repuesto No. PS20-137REP

Clave No.	Descripción de la parte	Cantidad
1	El paquete incluye: Interruptor de diafragma	1
2	Impulsor	1
3	Junta	1

**Garantía limitada**

F.E. MYERS le garantiza al comprador/consumidor original (“Comprador” o “Usted”) de los productos enumerados abajo, que estos estarán libres de defectos en material y mano de obra durante el Período de Garantía indicado a continuación.

<b>Producto</b>	<b>Período de garantía</b>
Bombas de chorro, pequeñas bombas centrífugas, bombas sumergibles y accesorios asociados	<i>lo que ocurra primero:</i> 12 meses desde la fecha de la instalación inicial, o 18 meses desde la fecha de fabricación
Tanques de devanado de fibra de vidrio	5 años desde la fecha de la instalación inicial
Tanques a presión de acero	5 años desde la fecha de la instalación inicial
Productos para sumideros/aguas residuales/efluente	12 meses desde la fecha de la instalación inicial, o 24 meses desde la fecha de fabricación

Nuestra garantía no se aplicará a ningún producto que, a nuestro sólo juicio, haya sido sometido a negligencia, mal uso, instalación inadecuada o mal mantenimiento. Sin perjuicio a lo que antecede, la garantía quedará anulada en el caso en que un motor trifásico se haya usado con una fuente de alimentación monofásica, a través de un convertidor de fase. Es importante indicar que los motores trifásicos deben estar protegidos por relés de sobrecarga de disparo extra-rápido, con compensación ambiental de tres etapas, del tamaño recomendado, de lo contrario, la garantía quedará anulada.

Su único recurso, y la única obligación de F.E. MYERS es que F.E. MYERS repare o reemplace los productos defectuosos (a juicio de F.E. MYERS). Usted deberá pagar todos los cargos de mano de obra y de envío asociados con esta garantía y deberá solicitar el servicio bajo garantía a través del concesionario instalador tan pronto como se descubra un problema. No se aceptará ninguna solicitud de servicio bajo garantía que se reciba después del vencimiento del Período de Garantía. Esta garantía no se puede transferir.

F.E. MYERS NO SE HARÁ RESPONSABLE DE NINGÚN DA—O CONSECUENTE, INCIDENTAL O CONTINGENTE.

LAS GARANTÍAS LIMITADAS QUE ANTECEDEN SON EXCLUSIVAS Y EN LUGAR DE TODA OTRA GARANTÍA EXPLÍCITA E IMPLÍCITA, INCLUYENDO, PERO SIN LIMITARSE A LAS GARANTÍAS IMPLÍCITAS DE COMERCIALIZACIÓN E IDONEIDAD PARA UN FIN ESPECÍFICO. LAS GARANTÍAS LIMITADAS QUE ANTECEDEN NO SE EXTENDERÁN MÁS ALLÁ DEL PERÍODO DE DURACIÓN INDICADO EN LA PRESENTE.

Algunos estados no permiten la exclusión o limitación de daños incidentales o consecuentes o de limitaciones de tiempo sobre garantías implícitas, de modo que es posible que las limitaciones o exclusiones que preceden no correspondan en su caso. Esta garantía le otorga derechos legales específicos y es posible que usted también tenga otros derechos que pueden variar de un estado al otro.

Esta Garantía Limitada entra en vigor el 1 de junio de 2011 y sustituye toda garantía sin fecha o garantía con fecha anterior al 1 de junio de 2011.

**F.E. MYERS**  
**293 Wright Street, Delavan, WI 53115**  
**Teléfono: 888-987-8677 • Fax: 800-426-9446 • www.femyers.com**  
**En Canadá: P. O. Box 9138, 269 Trillium Dr., Kitchener, Ontario N2G 4W5**  
**Teléfono: 519-748-5470 • Fax: 888-606-5484**