



RESIDENTIAL CAST IRON SUBMERSIBLE SUMP PUMPS

MCIO SERIES

The Myers MCIO Series are rugged cast iron sump pumps featuring a vortex impeller that provides solids-handling capability up to 1/2". Product is available in 115 Volt single phase 60 Hz. Pump discharge is 1-1/2" NPT. 2-pole float switch for minimum 10" diameter sumps. Manual models also available.

APPLICATIONS

Residential basement sumps, dewatering, light effluent and water transfer.



FEATURES

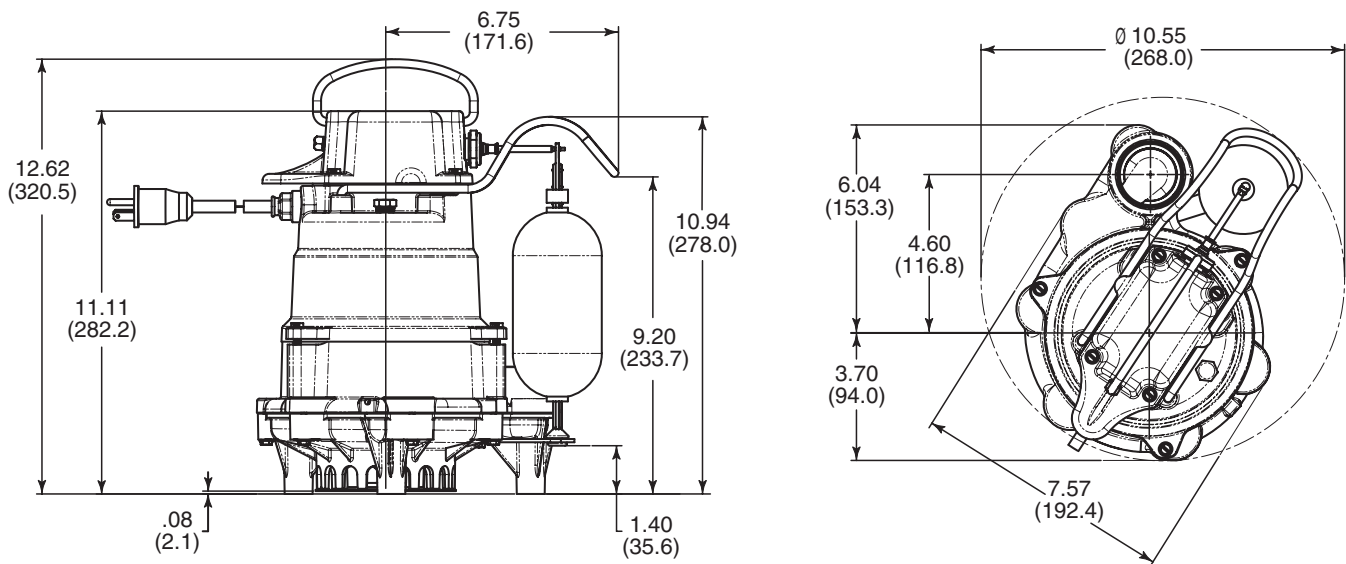
- ◆ **Easy Fit**
2-pole switch design allows for operation in sump diameters of 10" or more.
- ◆ **Reliable and Tough**
Rugged, oil-cooled motor provides continuous bearing lubrication and maximizes heat dissipation.
- ◆ **Extended Service**
Lubricated ball bearings and shaft seal for longer service life.
- ◆ **Eliminates Failures**
Shaded pole motor eliminates failure-prone switches and relays.
- ◆ **Motor Protection**
Long-life carbon/ceramic seal protects motor against water leakage.
- ◆ **Thermal Overload**
Heat sensor overload protection with automatic reset when motor cools to safe operating temperature.
- ◆ **No Drilling Required**
Anti-airlock hole in base reduces added labor.
- ◆ **Easy Serviceability**
Pump, intake screen volute base, switch and power cord are serviceable.

SPECIFICATIONS & PERFORMANCE

CAPACITIES	MCI033 - 48 GPM (182 LPM) , MCI050 - 62 GPM (235 LPM)
SHUT-OFF HEAD	24' (7.3 m)
FLOAT SWITCH ON/OFF DIMENSIONS	On: 9" (229 mm), Off: 4" (102 mm)
FLOAT SWITCH OPERATION	Automatic
SOLIDS HANDLING	1/2" (12.7 mm)
LIQUIDS HANDLING	Sump dewatering & effluent drainage
CONTINUOUS LIQUID TEMPERATURE	130°F (54°C)
MOTOR ELECTRICAL DATA	MCI033 - 98.A, MCI050 - 12A shaded pole with thermal overload protection, 115V, 1Ø, 60Hz, 1550 RPM
ACCEPTABLE PH RANGE	6-9
SHAFT SEAL	Carbon and ceramic
HOUSING/VOLUTE	Heavy cast iron
VOLUTE BASE	Fiberglass reinforced polypropylene or cast iron
IMPELLER	Fiberglass-reinforced Noryl® with threaded brass insert
EXTERIOR HARDWARE	Stainless steel
POWER CORD	10' (3 m), 16/3, SJTW-A, SJTW Or 20' (6m)
DISCHARGE, NPT	1-1/2"
MIN. BASIN DIAMETER	10" (25.4 cm)

DIMENSIONS

MCI0 SERIES

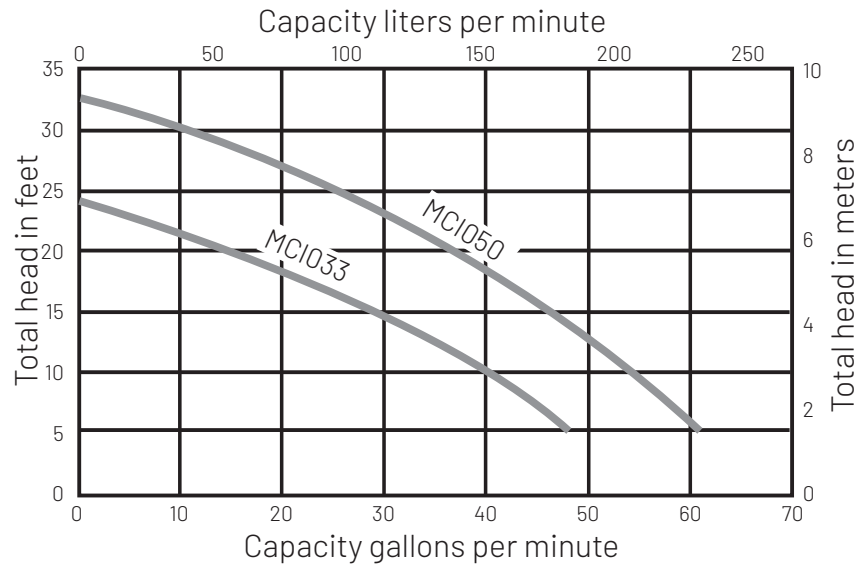


ORDERING INFORMATION

MODEL	CORD LENGTH	LOWER CASING VOLUTE MATERIAL	VOLTS	PHASE	AMPS	DISCHARGE	SWITCH
MCI033	10' (3.1 m)	Engineered Polymer	115	1	9.8	1-1/2" NPT	Vertical
MCI03320	20' (6.1 m)	Engineered Polymer	115	1	9.8	1-1/2" NPT	Vertical
MCI033CI	10' (3.1 m)	Cast Iron	115	1	9.8	1-1/2" NPT	Vertical
MCI050	10' (3.1 m)	Engineered Polymer	115	1	12.0	1-1/2" NPT	Vertical
MCI05020	20' (6.1 m)	Engineered Polymer	115	1	12.0	1-1/2" NPT	Vertical
MCI050CI	10' (3.1 m)	Cast Iron	115	1	12.0	1-1/2" NPT	Vertical

*Rest of pump is Cast Iron

PUMP PERFORMANCE



293 Wright Street,
Delavan, WI 53115
USA
Ph: 888.782.7483
Orders Fax: 800.426.9446

490 Pinebush Road
Unit 4
Cambridge, Ontario N1T 0A5
Canada
Ph: 800.363.7867
Orders Fax: 888.606.5484

For more details,
visit pentair.com



All indicated Pentair trademarks and logos are property of Pentair. Third party registered and unregistered trademarks and logos are the property of their respective owners. Because we are continuously improving our products and services, Pentair reserves the right to change specifications without prior notice. Pentair is an equal opportunity employer.

Noryl® is a registered trademark of SABIC Global Technologies B.V.

©2021 Pentair. All Rights Reserved.

M9209SSE (06/01/2021)