

EFFLUENT ST.E.P. PUMPS

P50 AND P100 SERIES

The Myers P Series Effluent Pumps are designed specifically for multi-pump pressure collection, septic tank effluent pumping (ST.E.P.) and high head drainage applications. The high efficiency, single-vane, enclosed impellers provide steep, non-overloading performance curves, which are ideal for these applications. These pumps deliver more capacity at higher heads than most pumps in this class. The combination of the most rugged materials ensure years of trouble-free, dependable service.

APPLICATIONS

Effluent removal, sump drainage, water transfer, and flood control.

FEATURES

- ◆ **Rugged and Dependable:** Durable, oil-filled motor for continuous bearing lubrication and maximum heat dissipation.
- ◆ **Design Meets Demand:** Single-vane, enclosed impeller provides steep, non-overloading performance curves for pressure collection and ST.E.P. applications.
- ◆ **Closed Case:** Enclosed impeller eliminates jamming between impeller and volute – engineered thermoplastic composition.
- ◆ **Powerful Starts:** High-torque, permanent split capacitor (PSC) motor; no starting switches or relays to wear out.
- ◆ **No Burnout:** On-winding current and temperature sensitive overload to protect against costly burnout.
- ◆ **Thermal Failsafe:** Heat sensor overload protection with automatic reset when motor cools to a safe operating temperature.
- ◆ **Twice the Protection:** Optional leak probe senses water leakage past seal (dual seal motors only).
- ◆ **Restore Performance:** Original performance standards can be restored by easily replacing a worn volute seal ring.

SPECIFICATIONS

- ◆ **Capacities:** Up to 60 GPM (227 LPM)
- ◆ **Shut-Off Head:** Up to 124' (37.8 m)
- ◆ **Max. Spherical Solids:** 3/4" (19 mm)
- ◆ **Liquids Handling:** Domestic, effluent and drain water
- ◆ **Motor/Electrical Data:** 1/2 HP, 115V or 230V, 1Ø; 1 HP, 230V, 1Ø, oil-filled, permanent split capacitor type, 3450 RPM, 60Hz
- ◆ **Acceptable pH Range:** 6-9
- ◆ **Specific Gravity:** .9-1.1
- ◆ **Viscosity:** 28-35 SSU
- ◆ **Discharge NPT:** 1-1/2"
- ◆ **Housing:** Cast iron.
- ◆ **Minimum Sump Diameter:** Simplex: 24" (61 cm); Duplex: 36" (91.4 cm)
- ◆ **Power Cord:** 20', 14/3 SJOW, SJOW-A



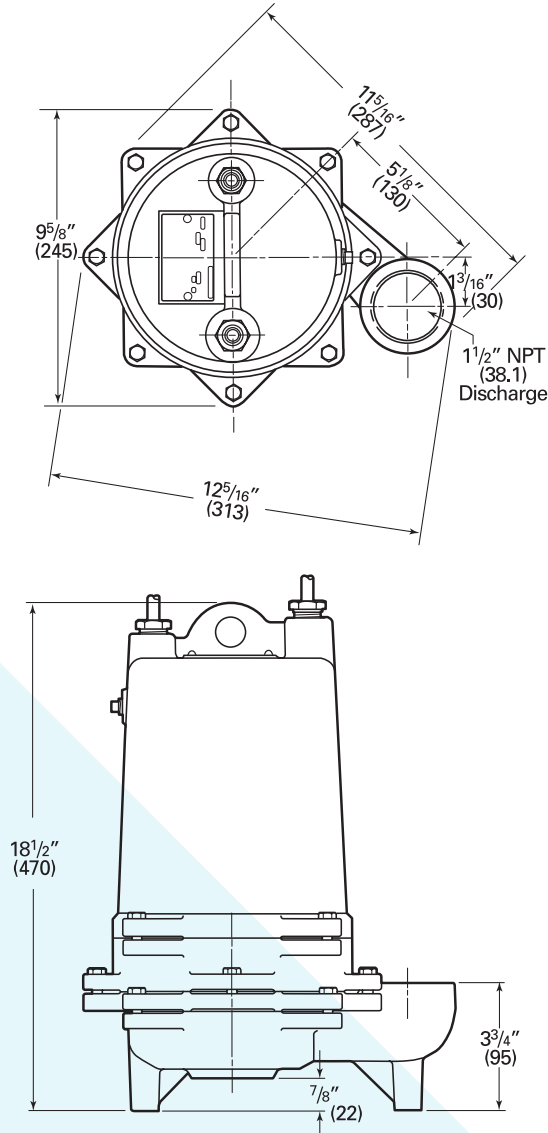


 Tested & Certified to UL778
 and CSA 108.
3 Year Warranty

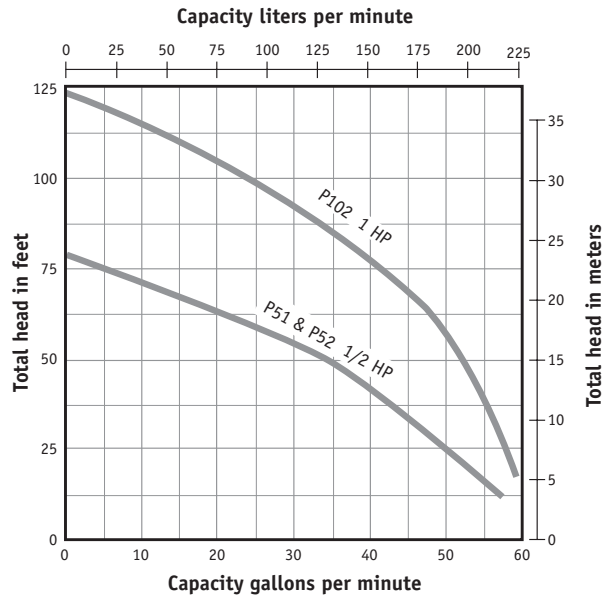
ORDERING INFORMATION

CATALOG NUMBER	HP	VOLTS	PHASE	DISCHARGE NPT	SWITCH TYPE	CORD LENGTH	APPROX. WT. LBS
P51	1/2	115	1	1-1/2"	Manual	20'	84
P51D	1/2	115	1	1-1/2"	Manual	20'	84
P52D	1/2	230	1	1-1/2"	Manual	20'	84
P102	1	230	1	1-1/2"	Manual	20'	87
P102D	1	230	1	1-1/2"	Manual	20'	87

DIMENSIONS



PUMP PERFORMANCE



293 Wright St
 Delavan, WI 53115
 Ph: 888.987.8677
 Fx: 800.426.9446

490 Pinebush Rd, Unit 4
 Cambridge, Ontario N1T 0A5, Canada
 Ph: 800.363.7867
 Fx: 888.606.5484

pentair.com

All indicated Pentair trademarks and logos are property of Pentair. Third party registered and unregistered trademarks and logos are the property of their respective owners. Because we are continuously improving our products and services, Pentair reserves the right to change specifications without prior notice. Pentair is an equal opportunity employer.

©2023 Pentair. All Rights Reserved.

M9024SSE(08-01-23)