



MYERS[®]
ME SERIES
1/2 THROUGH 1-1/2 HP
EFFLUENT PUMPS



MYERS® ME SERIES Effluent Pumps

The Right Choice

The Myers ME Series effluent pumps are designed specifically for today's effluent pressure distribution mounds, trenches and high flow drainage applications. The ME Series effluent pumps with their efficient two vane, enclosed impellers, provide the ideal performance for optimum dosing. ME Series pumps are constructed of only corrosion resistant materials like cast iron, stainless steel and thermoplastics to assure that they will perform for years to come in the harsh effluent environment and drainage applications. For more information, call your Myers distributor today or the Myers Ashland, Ohio sales office at 419-289-6898.

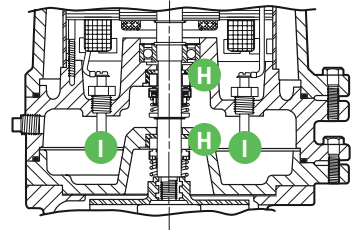
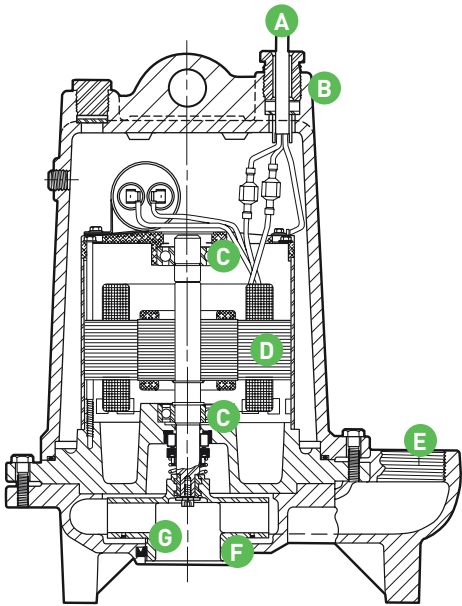


Product Capabilities		
Capacities To	120 gpm	454 lpm
Heads To	95 ft.	28.9 m
Maximum Spherical Solids	3/4 in.	19 mm
Liquids Handling	domestic effluent and drain water	
Intermittent Liquid Temp.	up to 140°F	up to 60°C
Motor Electrical Data	1/2 HP, 115 volts, 1 ph 1/2 to 1-1/2 HP, 230 volts, 1 ph 200, 230, 460, 575 volts, 3 ph oil-filled, permanent split capacitor type, 1 ph, 3450 rpm, 60 Hz	
Motor Insulation	Class B (130°C)	
Std. Third Party Approvals	CSA, UL	
Acceptable pH Range	6 - 9	
Specific Gravity	.9 - 1.1	
Viscosity	28 - 35 SSU	
Discharge, NPT	2 in.	50.8 mm
Min. Sump Diameter		
Simplex	24 in.	61 cm
Duplex	36 in.	91.4 cm

Note: Consult factory for applications outside these recommendations.

Construction Materials	
Motor Housing, Volute	cast iron, Class 30, ASTM A48
Enclosed Two Vane Impeller	
Standard	engineered thermoplastic
Optional	bronze
Impeller Wear Ring	304 SST
Volute Sealing Ring	Buna-N
Shaft	416 SST
Power Cord	
1/2 HP, 1 Ph	16/3 SJOW/SJOW-A
3/4 - 1-1/2 HP, 1 Ph	14/3 SJOW/SJOW-A
All 3 Ph	14/4 SOOW
Shaft Seals:	
Standard	single carbon and ceramic
Optional	tandem carbon and ceramic
Opt. Lower	tungsten carbide
Fasteners	300 Series SST

Pump Features and Applications



- A. Power Cord**
Jacket sealed with compression fittings. Individual wires potted with epoxy to prevent wicking in case of cord damage.
- B. Motor Housing**
Cast iron for efficient heat transfer and corrosion resistance.
- C. Bearings**
Upper and lower ball bearings support rotor. Take radial and thrust loads.

- D. Motor**
1/2, 3/4, 1 and 1-1/2 HP single or three phase. 60 Hz, 3450 RPM. Single phase PSC motors have built-in on winding overload protection, oil-cooled and lubricated.

- E. High Efficiency Cast Iron Volute**
Corrosion resistant. Passes 3/4" spherical solids. 2" NPT discharge.

- F. Volute/Impeller Seal Ring**
Maintains high efficiency and reduces recirculation. Replaceable.

- G. Enclosed Two Vane Impeller**
High efficiency. Passes 3/4" spherical solids with stainless steel wear ring. Optional bronze construction available.

- H. Shaft Seals**
Carbon and ceramic faces. Optional dual tandem seals. Extends motor life.

- I. Seal Leak Probes**
Optional probes (dual seal only) detect water leakage in seal housing. Activates warning light.

Ideal For Use In Mound And Trench Pressure Distribution Systems.

- High efficiency, two vane, enclosed impeller provides ideal performance for most efficient dosing.
- Impeller passes full 3/4 inch solids.
- Enclosed impeller design eliminates possibility of jamming or corrosion between impeller and volute.

Durable Motor Will Deliver Many Years Of Reliable Service.

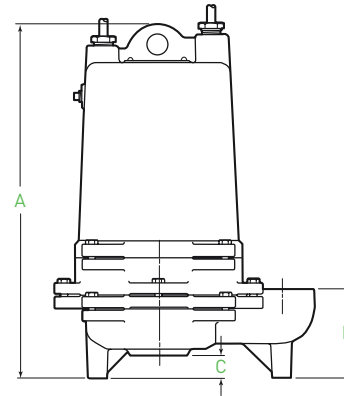
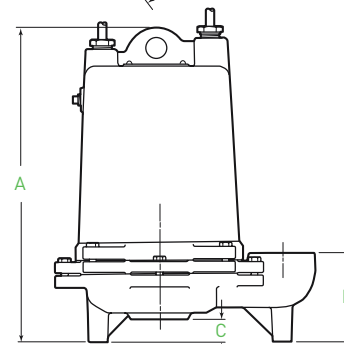
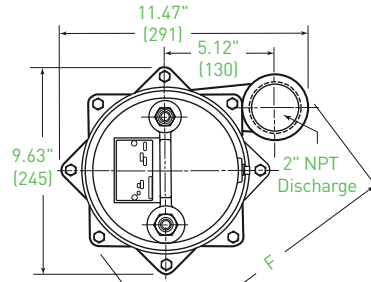
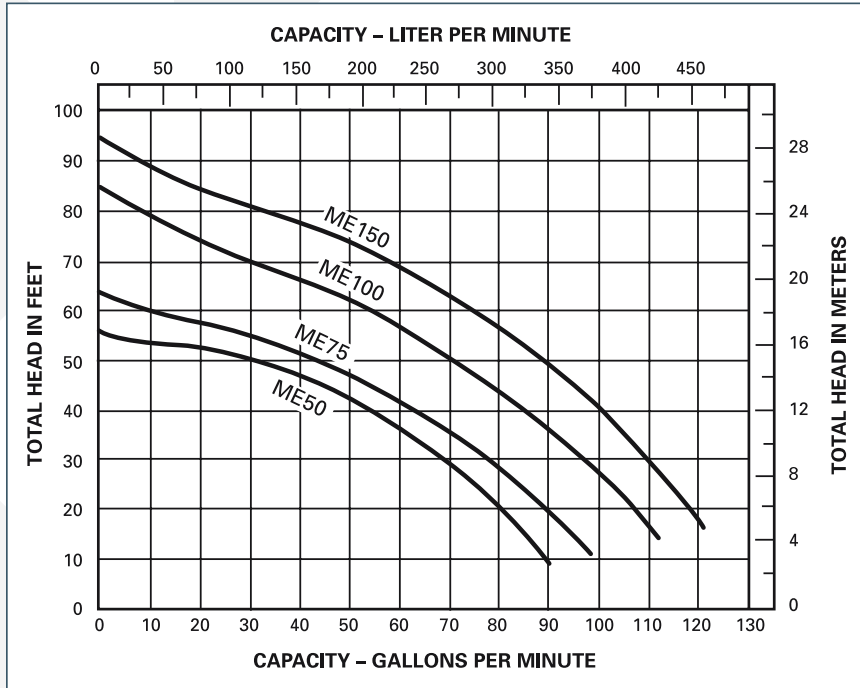
- Oil-filled motor for maximum heat dissipation and constant bearing lubrication.
- High torque, permanent split capacitor (PSC), single phase motors. No starting switches or relays to wear out.
- Optional seal leak probe warns of seal leak condition. (Dual seal motors only.) Helps prevent costly motor damage.
- Motors have on winding current and temperature sensitive overload. (Single phase only.)

The Me Series Effluent Pumps Are Designed For Years Of Maintenance Free Operation.

- Volute seal ring is replaceable. Restores pump to original performance if wear should occur.
- Motor is held in place by four screws. Easily removed if service is ever needed.

Performance Data and Dimensions [Dimensions in mm]

3450 RPM



Model Series	Inches (millimeters)			
	A	B	C	F
ME50S	16.8" (427)	4.09" (104)	1.03" (26)	12.13" (308)
ME50D	18.6" (472)	4.09" (104)	1.03" (26)	12.13" (308)
ME75S, ME100S, ME150S	16.8" (427)	4.0" (102)	1.06" (27)	12.5" (318)
ME75D, ME100D, ME150D	18.6" (472)	4.0" (102)	1.06" (27)	12.5" (318)



740 EAST 9TH STREET,
ASHLAND, OHIO 44805
WWW.FEMYERS.COM

269 TRILLIUM DRIVE, KITCHENER,
ONTARIO, CANADA N2G 4W5
WWW.FEMYERS.COM

Because we are continuously improving our products and services, Pentair reserves the right to change specifications without prior notice.
K3320 1/4/13 © 2013 Pentair Ltd. All Rights Reserved.