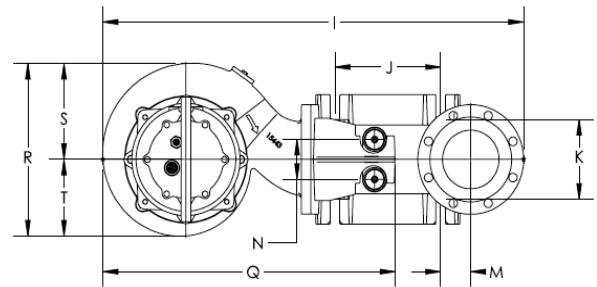
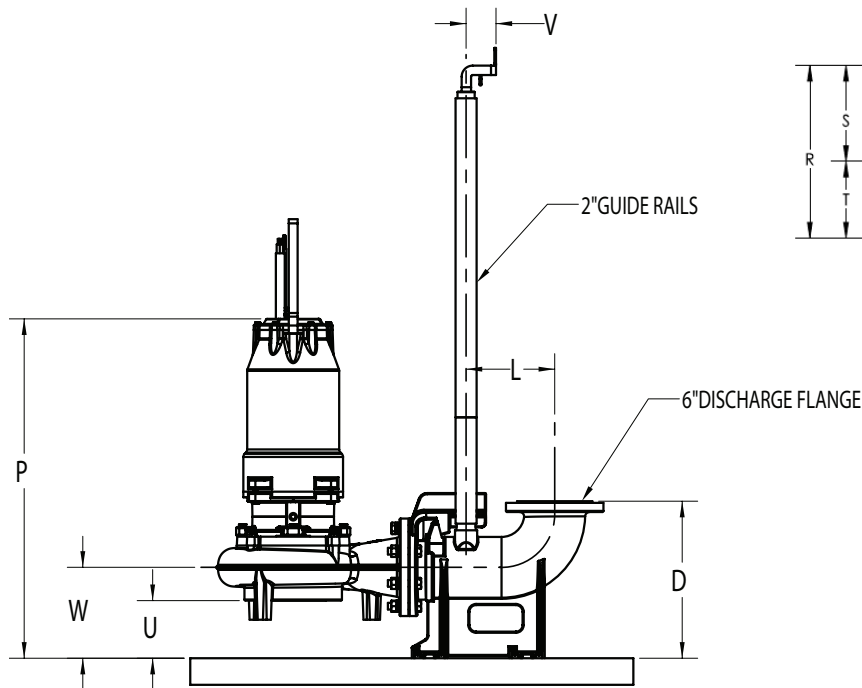


6" MTM(X) RAIL SYSTEM

6MC MODEL PUMP



ITEM	DIMENSION
D	17-3/4"
I	43-11/16"
J	11"
K	8"
L	10"
M	3-1/8"
N	4"
P	38-5/16"
Q	30-7/16"
R	17-3/8"
S	9-11/16"
T	7-11/16"
U	6-1/2"
V	3-3/8"
W	10-1/4"

All dimensions in inches.

1101 Myers Parkway
Ashland, OH 44805
Ph: 855.274.8948
Fx: 800.426.9446

490 Pinebush Rd., Unit 4
Cambridge, Ontario N1T 0A5, Canada
Ph: 800.363.7867
Fx: 888.606.5484

pentair.com/myers