



MYERS[®]
MODELS 4RC AND 4RCX
SOLIDS HANDLING
WASTEWATER PUMPS

STANDARD (4RC) AND HAZARDOUS LOCATION (4RCX) CONSTRUCTION



MYERS® MODELS 4RC AND 4RCX

Solids Handling Wastewater Pumps

The Right Choice

The 4RC and 4RCX (hazardous location) submersible wastewater pumps are the right choice when difficult to pump fibrous or stringy solids are to be expected. The 4RC/4RCX series provides smooth, vibration-free operation when operating at heads higher than peak efficiency. The pump is for use in municipal lift stations, treatment plants and industrial waste water applications.

Myers offers a complete line of wastewater pumps, lift-out rail assemblies, controls and accessories to meet your needs. Call your Myers distributor or the Myers sales office at 419-289-1144 for more details.



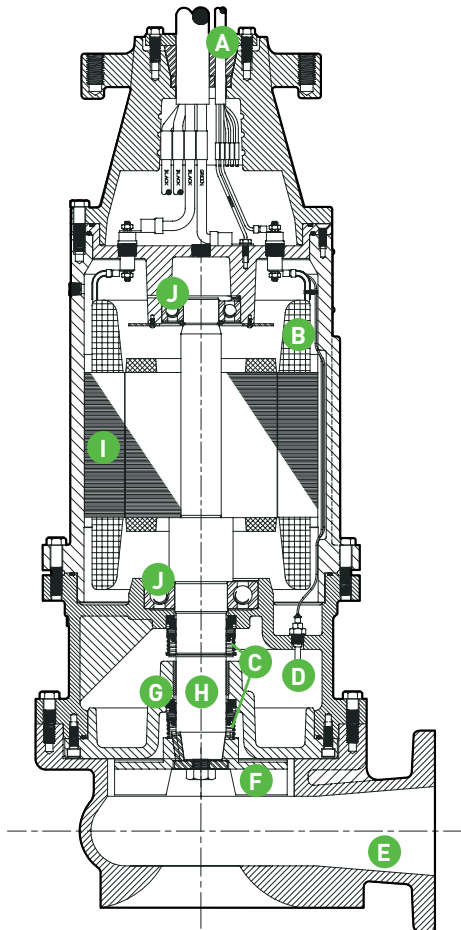
Product Capabilities		
Capacities To	1320 gpm	83.3 lps
Heads To	265 ft.	80.8 m
Solids Handling	3 in.	76 mm
Liquids Handling	Raw unscreened sewage, fibrous wastewater, effluent, storm water	
Intermittent Liquid Temp.	up to 140°F	up to 60°C
Winding Insulation Temp. (Class H)	356°F	180°C
Motor Electrical Data	1150 rpm 3–15 HP, 200/230/460/575V, 3 phase, 60 Hz 1750 rpm 10–40 HP, 200/230/460/575V, 3 phase, 60 Hz 3450 rpm 20–60 HP, 230*/460/575 volts, 3 phase, 60 Hz	
Third Party Approvals	FM, Class 1, Div. 1, Groups C & D (4RCX only)	
Acceptable pH Range	6 – 9	
Specific Gravity	.9 – 1.1	
Viscosity	28 – 35 SSU	
Discharge, Horizontal	4 in.	101.6 mm
Flanged CenterLine	125 lb. ANSI	

Construction Materials	
Motor Housing, Seal Housing, Cord Cap and Volute Case	Cast iron, Class 30, ASTM A48
Recessed, Impeller	Ductile iron, Class 65, ASTM A536
Power and Control Cord	S00W, W
Mechanical Seals	Double tandem, type Z1 Carbon and ceramic
Standard	Lower tungsten carbide, silicon carbide
Optional	
Pump, Motor Shaft	416 SST
Fasteners	300 series SST

Note: Consult factory for applications outside these recommendations

* 230V only has a range of 20–30 HP at 3450 rpm

Pump Features and Applications



A. Cable Entry System

Provides triple seal protection. Cable jacket sealed by compression grommet. Individual wires sealed by epoxy potting. Terminal board separates motor chamber from cord cap.

B. Heat Sensor

Protects motor from burnout due to excessive heat from any overload condition. Automatically resets when motor has cooled.

C. Shaft Seals

Double tandem mechanical shaft seals protect motor. Oil-filled seal chamber provides continuous lubrication.

D. Seal Leak Probes

Detect water in seal housing. Activate warning light in control panel.

E. Volute Case

Handles 3" solids. Completely open from inlet to discharge. 4" ANSI 125 lb. flange.

F. Recessed Impeller

Handles stringy trash and slurries without clogging or binding. Pump-out vanes help keep trash from seal; reduces pressure at seal faces.

G. Sleeve Bearing

Takes radial shock load; provides flame path.

H. Heavy 416 SST Shaft

Corrosion resistant.

I. Motor Stator

Heat shrunk into housing for perfect alignment and best heat transfer. Oil-filled motor conducts heat and lubricates bearings.

J. Ball Bearings

Upper and lower ball bearings support shaft and rotor and take axial and radial loads.

Passes Stringy Trash, Fibrous Wastes, Slurries, And Other Difficult To Pump Solids That Standard Enclosed Or Semi-Open Impellers Cannot.

- Recessed impeller design has completely open passage in volute.
- Pumping action is by vortex; solids can't get caught in impeller volute.
- Operates without vibration or cavitation over entire performance curve. Operates near shutoff without harming pump.

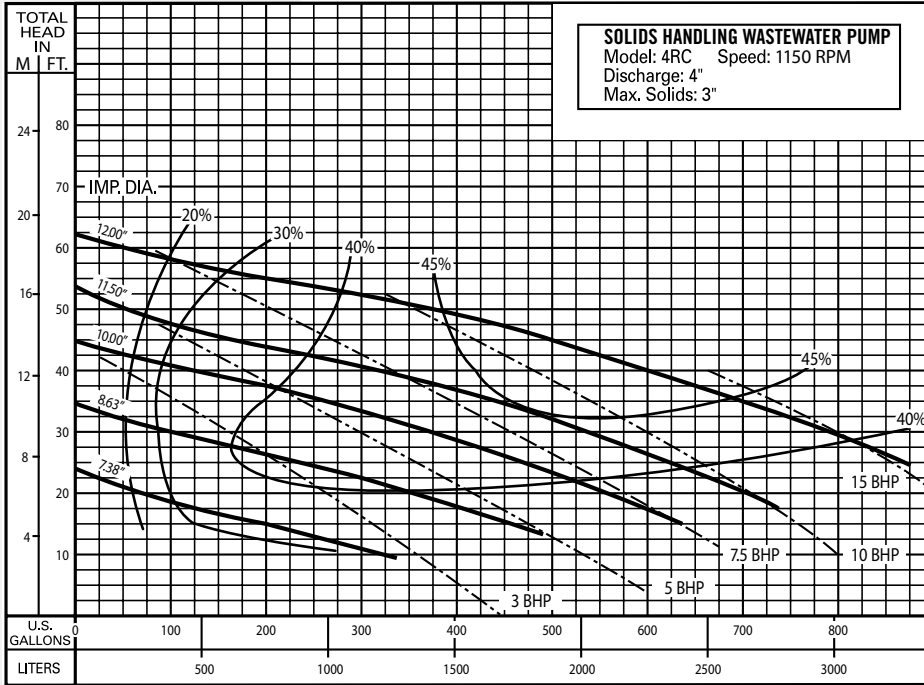
Durable Motor Will Deliver Many Years of Reliable Service.

- Recessed impeller greatly increases bearing life by reducing radial load.
- Oil-filled motor for maximum heat dissipation and constant bearing lubrication.
- Heat sensor thermostats imbedded in windings protect motor from overheat conditions.
- Seal leak probes warn of moisture entry; helps prevent costly motor burnout.

Available With Optional FM Approval For Use In Class 1, Groups C And D Hazardous Locations (4RCX Only).

Performance Data

1150 RPM



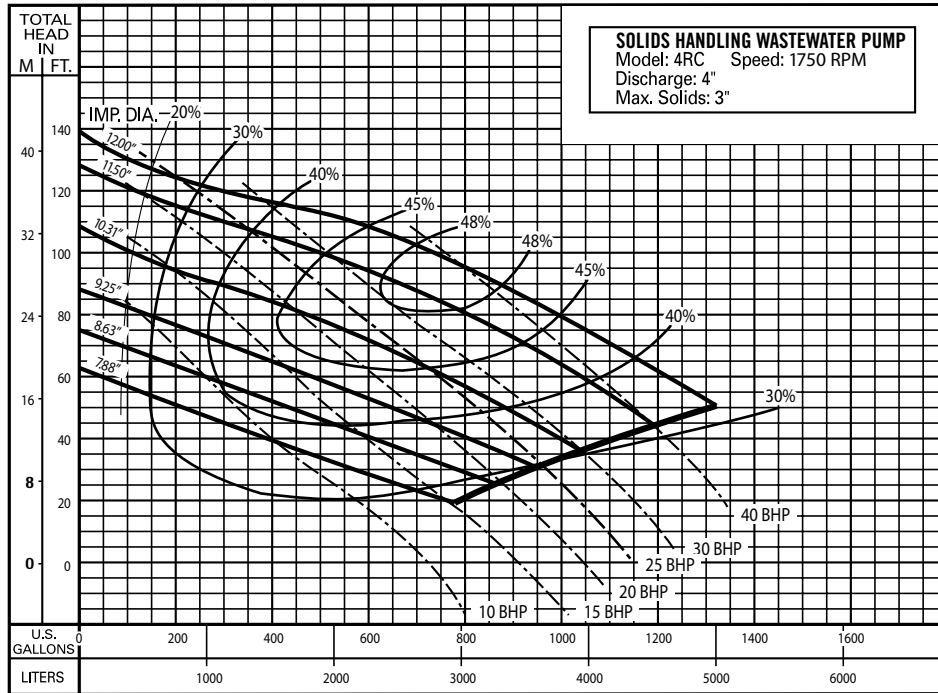
Pump performance is based on clear water (1.0 specific gravity @ 68°F) and pump fluid end (hydraulic) efficiency. Motor data based on 40°C ambient temperature.

Available Models		Motor Electrical Data												
Standard	Hazardous Location	HP	Volts	Phase	Hertz	Start Amps	Run Amps	Service Factor Amps	Run kW	Service Factor kW	Start KVA	Run KVA	NEC Code Letter	Service Factor
4RC30M6-03	4RCX30M6-03	3	208	3	60	106	13.3	15.6	3.4	4.1	36.7	4.6	K	1.2
4RC30M6-23	4RCX30M6-23	3	230	3	60	92	11.6	13.6	3.4	4.1	36.7	4.6	K	1.2
4RC30M6-43	4RCX30M6-43	3	460	3	60	46	5.8	6.8	3.4	4.1	36.7	4.6	K	1.2
4RC30M6-53	4RCX30M6-53	3	575	3	60	36.8	4.6	5.4	3.4	4.1	36.7	4.6	K	1.2
4RC50M6-03	4RCX50M6-03	5	208	3	60	106	19.3	23	4.8	5.8	36.7	6.7	J	1.2
4RC50M6-23	4RCX50M6-23	5	230	3	60	92	16.8	20	4.8	5.8	36.7	6.7	J	1.2
4RC50M6-43	4RCX50M6-43	5	460	3	60	46	8.4	10	4.8	5.8	36.7	6.7	J	1.2
4RC50M6-53	4RCX50M6-53	5	575	3	60	37	6.7	8	4.8	5.8	36.7	6.7	J	1.2
4RC75M6-03	4RCX75M6-03	7.5	208	3	60	197	27	32.2	6.8	8.4	68.5	9.4	H	1.2
4RC75M6-23	4RCX75M6-23	7.5	230	3	60	172	23.6	28	6.8	8.4	68.5	9.4	H	1.2
4RC75M6-43	4RCX75M6-43	7.5	460	3	60	86	11.8	14	6.8	8.4	68.5	9.4	H	1.2
4RC75M6-53	4RCX75M6-53	7.5	575	3	60	69	9.4	11.2	6.8	8.4	68.5	9.4	H	1.2
4RC100M6-03	4RCX100M6-03	10	208	3	60	197	34.3	41.4	8.8	10.9	68.5	12.0	H	1.2
4RC100M6-23	4RCX100M6-23	10	230	3	60	172	30	36	8.8	10.9	68.5	12.0	H	1.2
4RC100M6-43	4RCX100M6-43	10	460	3	60	86	15	18	8.8	10.9	68.5	12.0	H	1.2
4RC100M6-53	4RCX100M6-53	10	575	3	60	69	12	14.4	8.8	10.9	68.5	12.0	H	1.2
4RC150M6-03	4RCX150M6-03	15	208	3	60	276	48	59.8	13.0	15.7	95.6	17.5	H	1.2
4RC150M6-23	4RCX150M6-23	15	230	3	60	240	44	52	13.0	15.7	95.6	17.5	H	1.2
4RC150M6-43	4RCX150M6-43	15	460	3	60	120	22	26	13.0	15.7	95.6	17.5	H	1.2
4RC150M6-53	4RCX150M6-53	15	575	3	60	96	17.6	20.8	13.0	15.7	95.6	17.5	H	1.2

Motor Efficiencies and Power Factor									
Motor Efficiency %					Power Factor %				
HP	Phase	Service Factor Load	100% Load	75% Load	50% Load	Service Factor Load	100% Load	75% Load	50% Load
3	3	69	66	60	51	72	74	63	55
5	3	82	81	77	68	74	72	66	56
7.5	3	84	83	79	71	75	73	66.5	56.5
10	3	87	86	82	75	76	74	67	57
15	3	88	88	86.5	82.5	76	74.5	68	57.5

Performance Data

1750 RPM



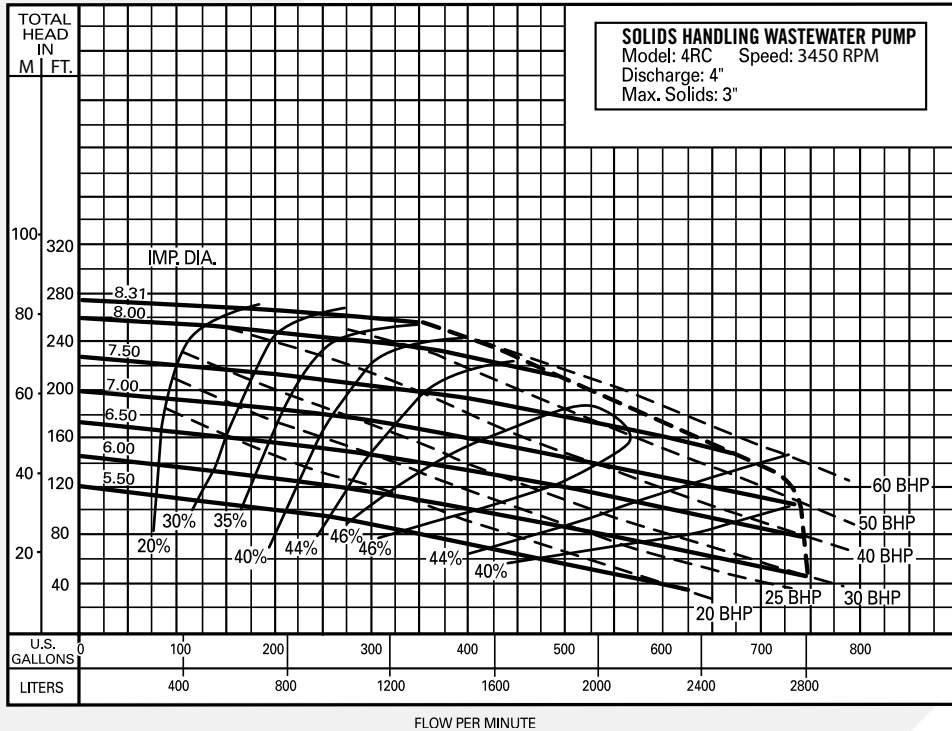
Pump performance is based on clear water (1.0 specific gravity @ 68°F) and pump fluid end (hydraulic) efficiency. Motor data based on 40°C ambient temperature.

Available Models		Motor Electrical Data													
Standard	Hazardous Location	HP	Volts	Phase	Hertz	Start Amps	Run Amps	Service Factor	Run kW	Service Factor kW	Start KVA	Run KVA	NEC Code Letter	Service Factor	
4RC100M4-03	4RCX100M4-03	10	208	3	60	334	35.9	40.6	9.5	11.4	116	12.4	K	1.2	
4RC100M4-23	4RCX100M4-23	10	230	3	60	290	31.2	35.3	9.5	11.4	116	12.4	K	1.2	
4RC100M4-43	4RCX100M4-43	10	460	3	60	145	15.6	17.7	9.5	11.4	116	12.4	K	1.2	
4RC100M4-53	4RCX100M4-53	10	575	3	60	116	12.5	14.1	9.5	11.4	116	12.4	K	1.2	
4RC150M4-03	4RCX150M4-03	15	208	3	60	334	50.6	61	15.0	18.6	115.5	17.5	J	1.2	
4RC150M4-23	4RCX150M4-23	15	230	3	60	290	44	53	15.0	18.6	115.5	17.5	J	1.2	
4RC150M4-43	4RCX150M4-43	15	460	3	60	145	22	26.5	15.0	18.6	115.5	17.5	J	1.2	
4RC150M4-53	4RCX150M4-53	15	575	3	60	116	17.6	21.2	15.0	18.6	115.5	17.5	J	1.2	
4RC200M4-03	4RCX200M4-03	20	208	3	60	334	62.5	75	21.2	26.1	115.5	23.9	H	1.2	
4RC200M4-23	4RCX200M4-23	20	230	3	60	290	60	72	21.2	26.1	115.5	23.9	H	1.2	
4RC200M4-43	4RCX200M4-43	20	460	3	60	145	30	36	21.2	26.1	115.5	23.9	H	1.2	
4RC200M4-53	4RCX200M4-53	20	575	3	60	116	24	28.8	21.2	26.1	115.5	23.9	H	1.2	
4RC250M4-03	4RCX250M4-03	25	208	3	60	575	78.3	92.2	26.9	33.3	180.1	30.3	H	1.2	
4RC250M4-23	4RCX250M4-23	25	230	3	60	452	76	92	26.9	33.3	180.1	30.3	H	1.2	
4RC250M4-43	4RCX250M4-43	25	460	3	60	226	38	46	26.9	33.3	180.1	30.3	H	1.2	
4RC250M4-53	4RCX250M4-53	25	575	3	60	181	30.4	36.8	26.9	33.3	180.1	30.3	H	1.2	
4RC300M4-03	4RCX300M4-03	30	208	3	60	575	92.2	110.7	33.3	41.3	180.1	37.4	H	1.2	
4RC300M4-23	4RCX300M4-23	30	230	3	60	452	94	114	33.3	41.3	180.1	37.4	H	1.2	
4RC300M4-43	4RCX300M4-43	30	460	3	60	226	47	57	33.3	41.3	180.1	37.4	H	1.2	
4RC300M4-53	4RCX300M4-53	30	575	3	60	181	37.6	45.6	33.3	41.3	180.1	37.4	H	1.2	
4RC400M4-43	4RCX400M4-43	40	460	3	60	290	61	74	43.2	53.0	231.1	48.6	G	1.2	

Motor Efficiencies and Power Factor									
HP	Phase	Motor Efficiency %				Power Factor %			
		Service Factor Load	100% Load	75% Load	50% Load	Service Factor Load	100% Load	75% Load	50% Load
10	3	81	79	74	65	79	77	72	64
15	3	85	84	79	69	88	86	78	68
20	3	88	87.5	81	72.5	91	89	79	69
25	3	87	86	81	73	91	89	80	70
30	3	87	86	83	79	91	89	82	73
40	3	86	86	88	87.5	90	89	86	80

Performance Data

3450 RPM



Pump performance is based on clear water (1.0 specific gravity @ 68°F) and pump fluid end (hydraulic) efficiency. Motor data based on 40°C ambient temperature.

Available Models		Motor Electrical Data												
Standard	Hazardous Location	HP	Volts	Phase	Hertz	Start Amps	Run Amps	Service Factor Amps	Run kW	Service Factor kW	Start KVA	Run KVA	NEC Code Letter	Service Factor
4RC200M2-23	4RCX200M2-23	20	230	3	60	406	68	80	24.0	27.5	162	27.1	G	1.2
4RC200M2-43	4RCX200M2-43	20	460	3	60	203	34	40	24.0	27.5	162	27.1	G	1.2
4RC200M2-53	4RCX200M2-53	20	575	3	60	162	27.2	32	24.0	27.5	162	27.1	G	1.2
4RC250M2-23	4RCX250M2-23	25	230	3	60	406	83	96	28	32.5	162	33.1	G	1.2
4RC250M2-43	4RCX250M2-43	25	460	3	60	203	41.5	48	28	32.5	162	33.1	G	1.2
4RC250M2-53	4RCX250M2-53	25	575	3	60	162	33.2	38.4	28	32.5	162	33.1	G	1.2
4RC300M2-23	4RCX300M2-23	30	230	3	60	406	95	115	33.4	38.6	162	37.8	G	1.2
4RC300M2-43	4RCX300M2-43	30	460	3	60	203	47.5	57.5	33.4	38.6	162	37.8	G	1.2
4RC300M2-53	4RCX300M2-53	30	575	3	60	162	38	46	33.4	38.6	162	37.8	G	1.2
4RC400M2-43	4RCX400M2-43	40	460	3	60	275	59	70	42.0	49.5	217	47.0	G	1.2
4RC400M2-53	4RCX400M2-53	40	575	3	60	220	47.2	56	42.0	49.5	217	47.0	G	1.2
4RC500M2-43	4RCX500M2-43	50	460	3	60	275	74	89	51.0	61.0	217	58.9	D	1.2
4RC500M2-53	4RCX500M2-53	50	575	3	60	220	59.2	71.2	51.0	61.0	217	58.9	D	1.2
4RC600M2-43	4RCX600M2-43	60	460	3	60	275	89	89	61.0	61.0	217	70.8	C	1.0
4RC600M2-53	4RCX600M2-53	60	575	3	60	220	71.2	71.2	61.0	61.0	217	70.8	C	1.0

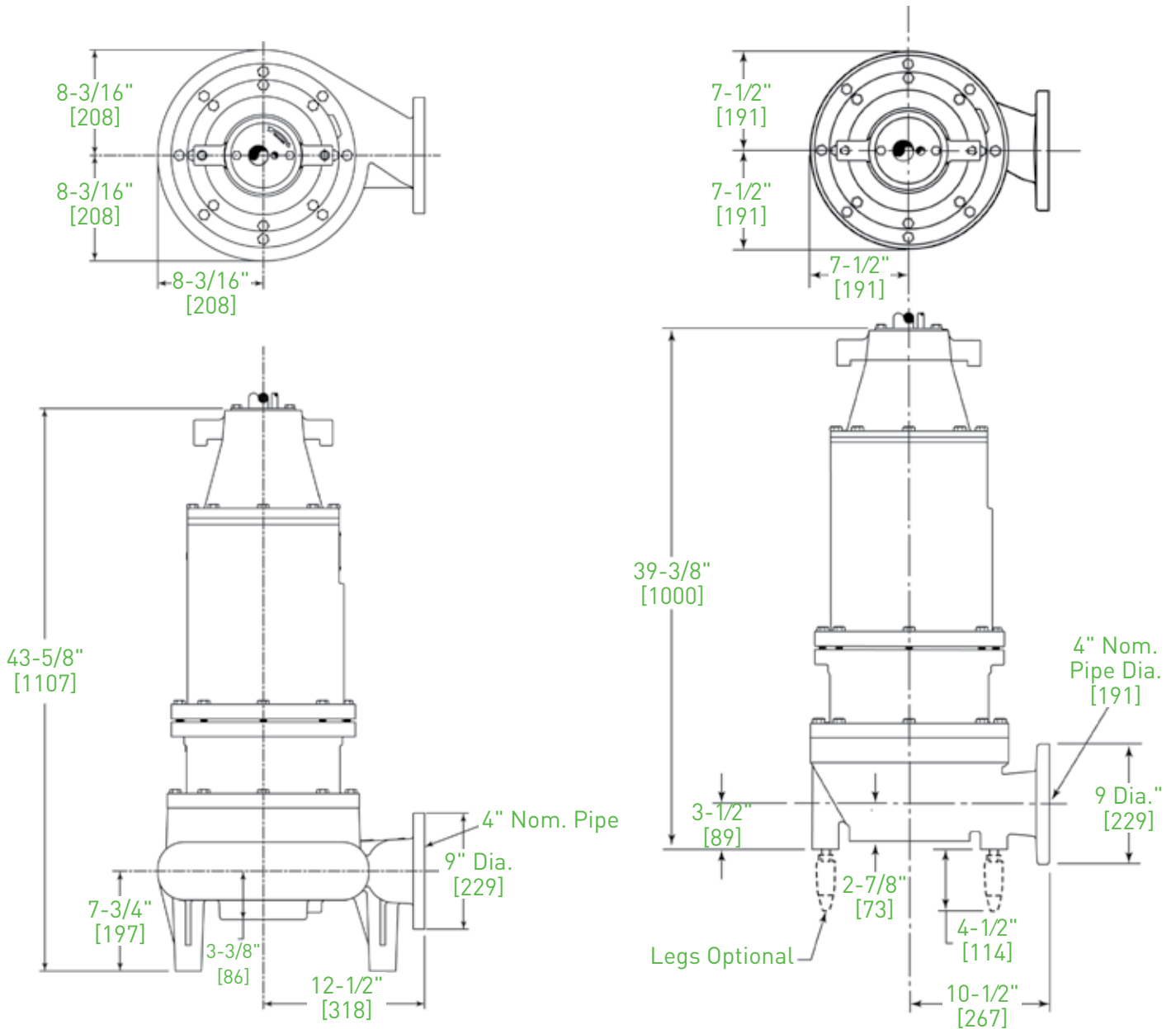
Motor Efficiencies and Power Factor									
Motor Efficiency %						Power Factor %			
HP	Phase	Service Factor Load	100% Load	75% Load	50% Load	Service Factor Load	100% Load	75% Load	50% Load
20	3	65	63	58	50	83.5	83	82	80
25	3	67	66	61	54	85	85	84.5	82
30	3	71	70	66	60	86	86.5	86	84
40	3	75.5	75	72	66	86.6	87.7	87.5	86
50	3	75	75.4	74.3	69.5	84.6	86.8	87.8	87.5
60	3	75	75	75.5	72	84.6	84.6	87.5	87.7

Dimensions

Dimensions in inches, [] dimensions in mm

1150 and 1750 RPM

3450 RPM





1101 MYERS PARKWAY
ASHLAND, OHIO 44805
PH: 855-274-8948
WWW.FEMYERS.COM

490 PINEBUSH ROAD, UNIT 4
CAMBRIDGE, ONTARIO, CANADA N1T 0A5
PH: 800-387-4386 ORDERS FAX: 888-606-5484
WWW.FEMYERS.COM

Because we are continuously improving our products and services, Pentair reserves the right to change specifications without prior notice.
K3885 08/07/17 © 2017 Pentair Ltd. All Rights Reserved.