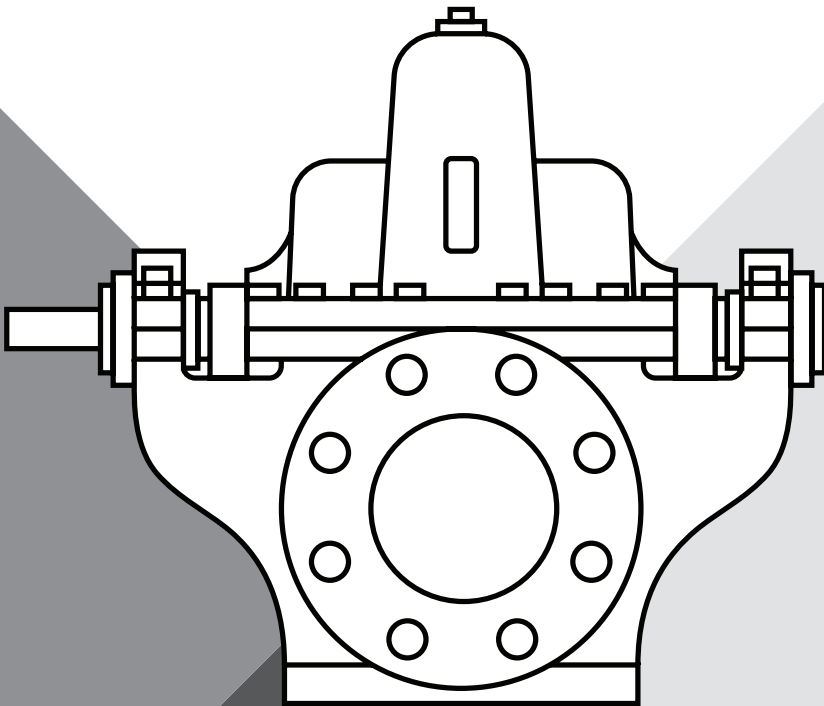


SPLIT CASE FIRE PUMP

2800F, 5800F, 5900F SERIES



REPAIR PARTS INDEX

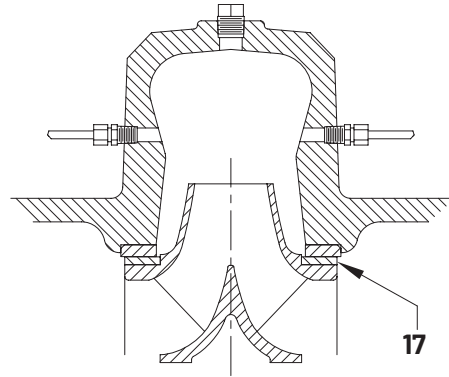
pentair.com/fairbanks-nijhuis

NOTE! To the installer: Please make sure you provide this manual to the owner of the equipment or to the responsible party who maintains the system.

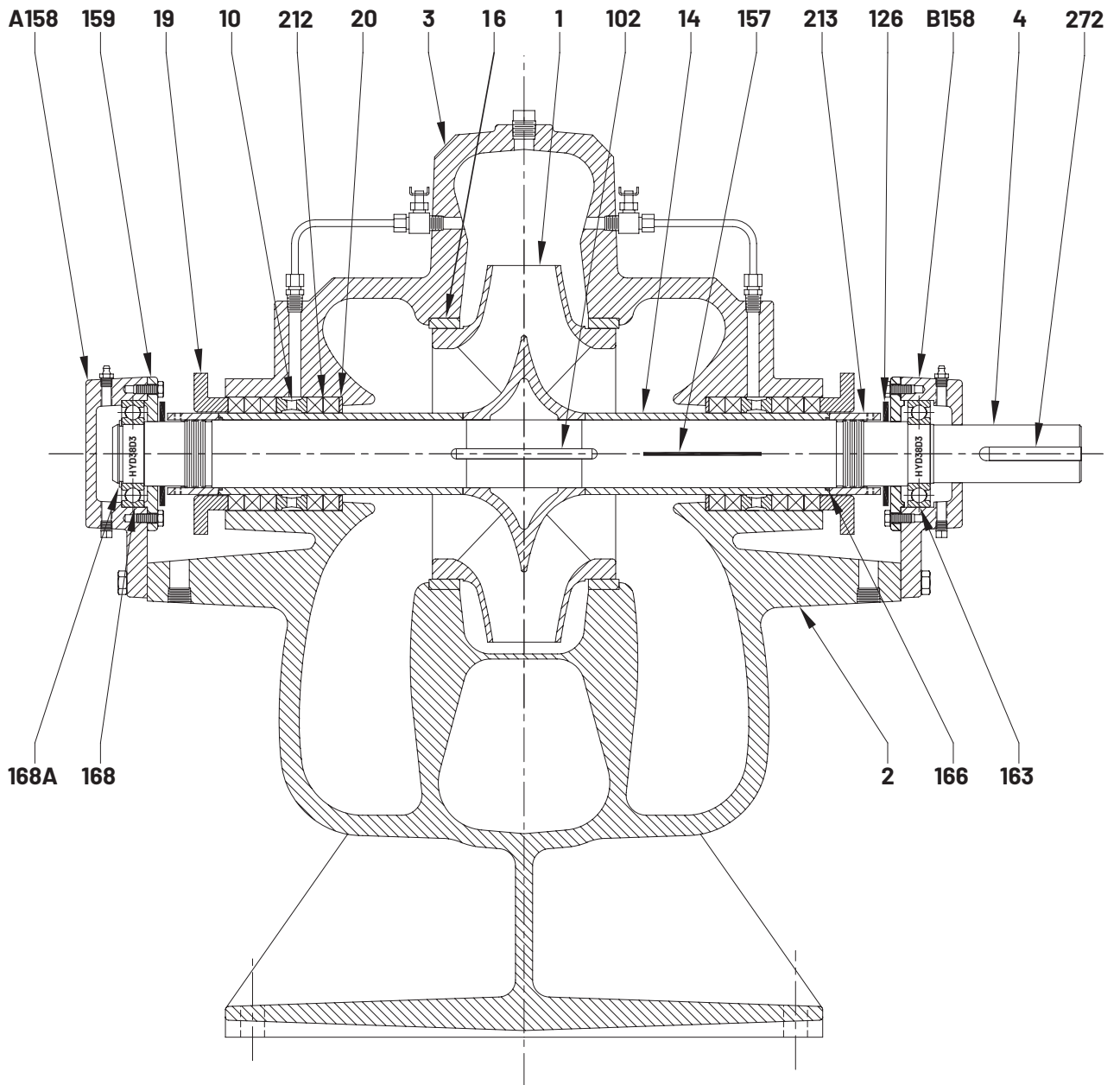
TABLE OF CONTENTS

DESCRIPTION	PAGE NO.
CROSS SECTIONS	
2800F SPLIT CASE PUMPS	3
5800F SPLIT CASE PUMPS WITH INTEGRAL BEARING ARMS	4
5800F SPLIT CASE PUMPS WITH BOLT-ON BEARING ARMS	5
5900F TWO-STAGE SPLIT CASE PUMPS	6
2800F REPAIR PARTS LIST	7-12
5800F REPAIR PARTS LIST	13-18
5900F REPAIR PARTS LIST	19-20
REPAIR KITS, OVERHAUL KITS & ROTATING ELEMENTS	21
STANDARD LIMITED WARRANTY	22

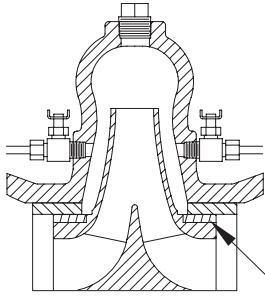
2800F SPLIT CASE PUMPS



OPTIONAL IMPELLERWEAR RING

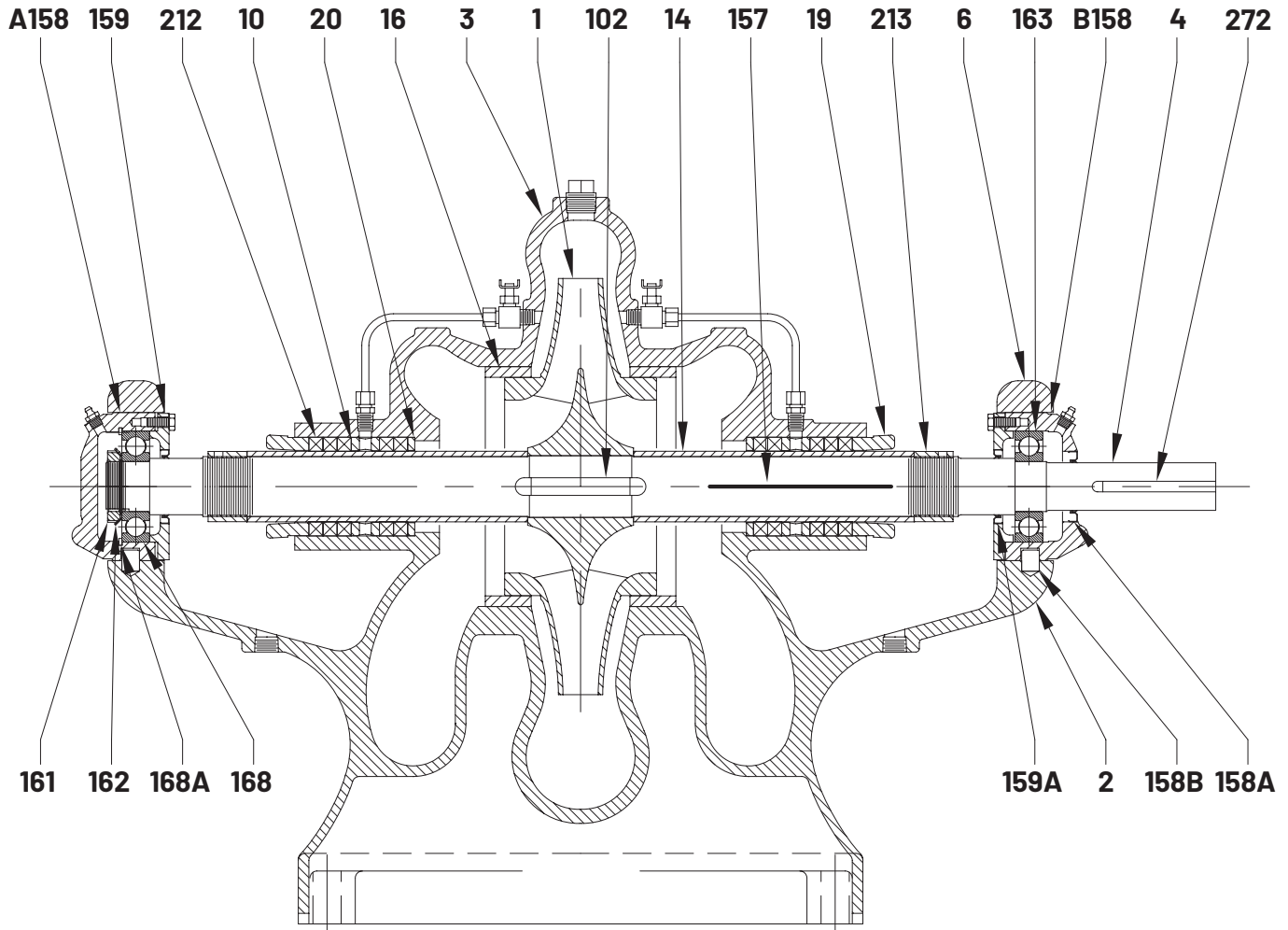


5800F SPLIT CASE PUMPS WITH INTEGRAL BEARING ARMS

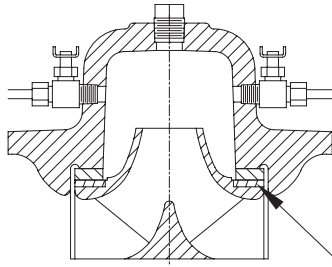


17

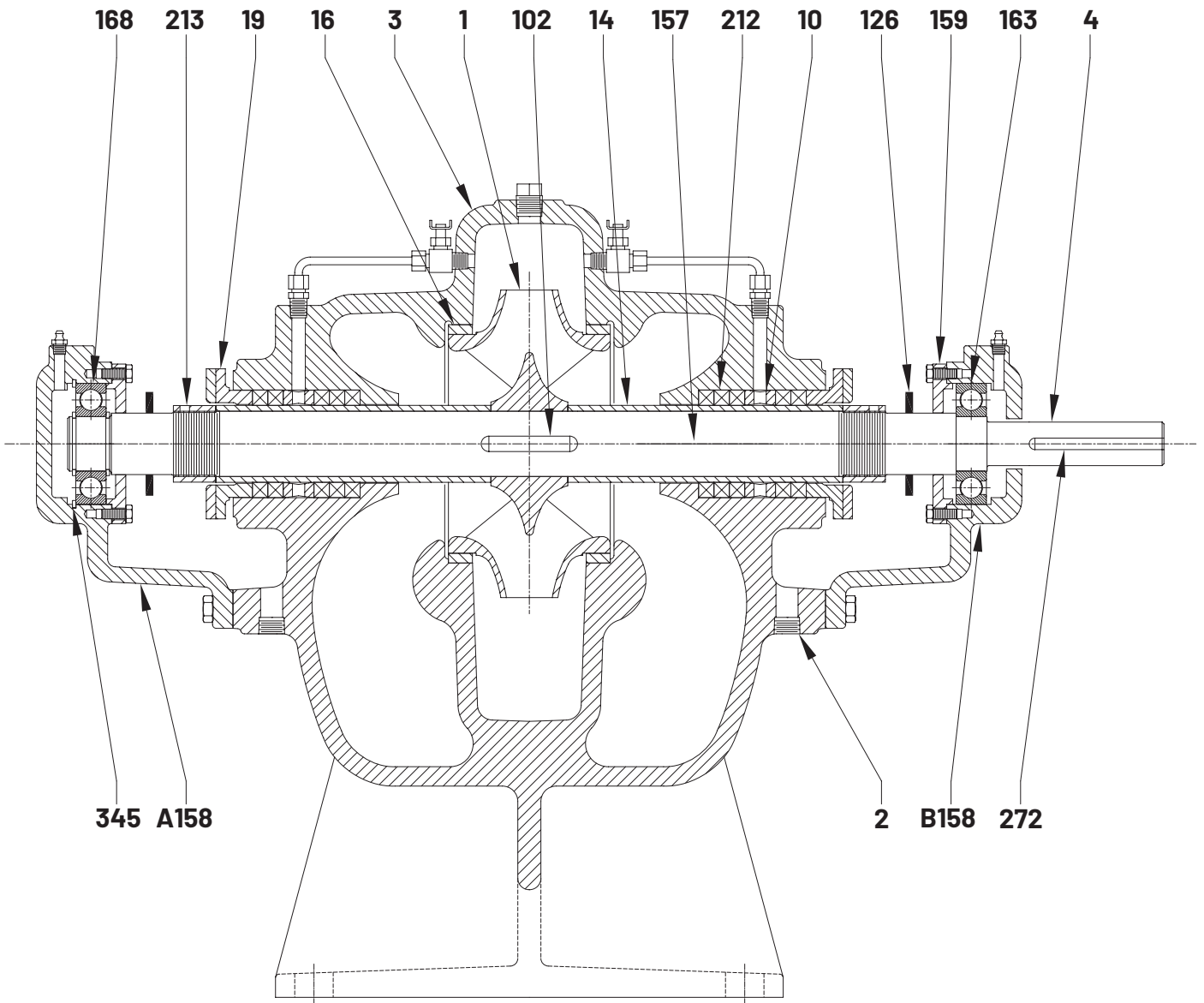
OPTIONAL IMPELLER WEAR RING



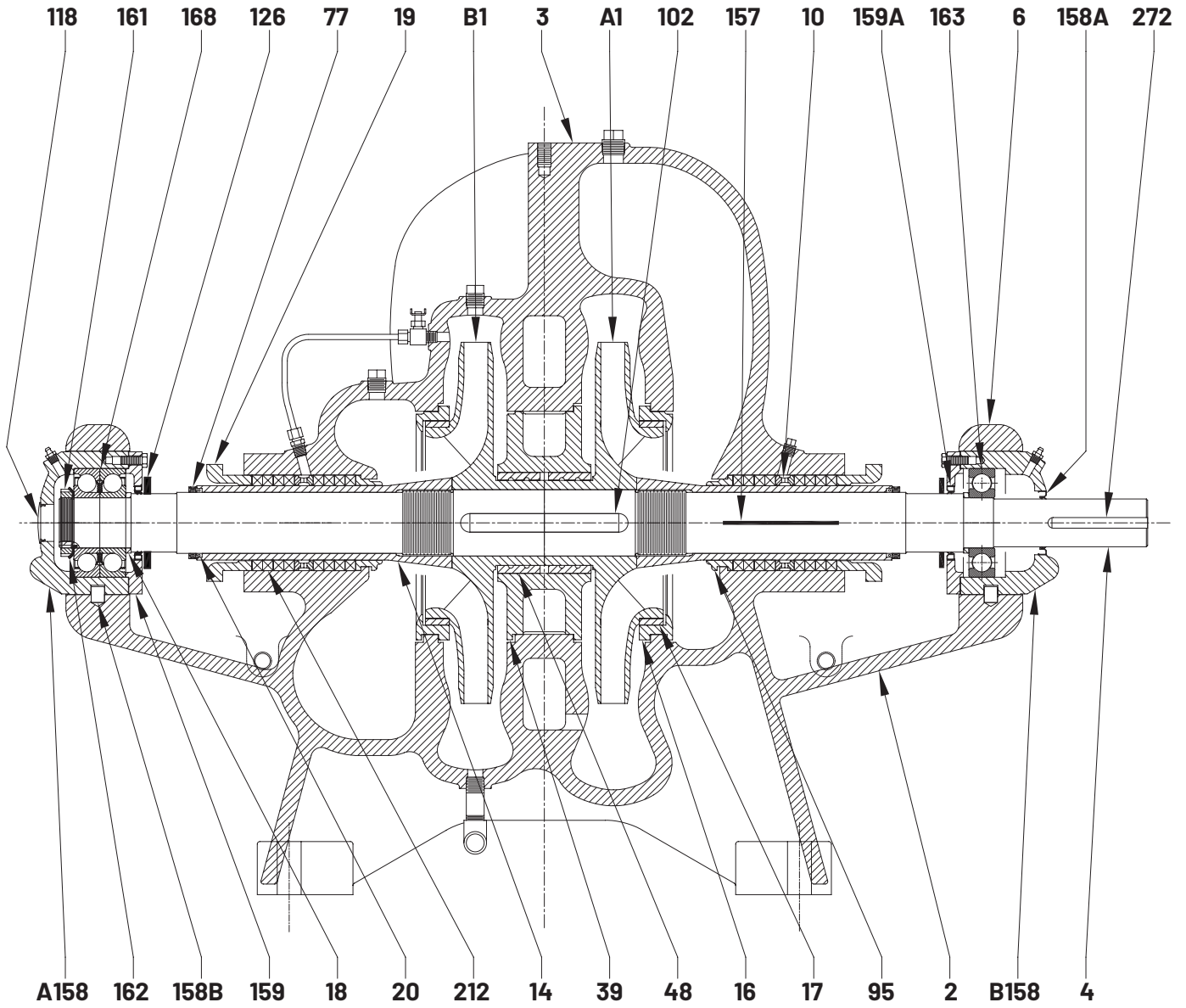
5800F SPLIT CASE PUMPS WITH BOLT-ON BEARING ARMS



OPTIONAL IMPELLER WEAR RING 17



5900F TWO-STAGE SPLIT CASE PUMPS



2800F REPAIR PARTS LIST

PC. NO.	PART DESCRIPTION	3-2874AF		3-2874CF		4-2873AF	
		QTY	PART NUMBER	QTY	PART NUMBER	QTY	PART NUMBER
1	Impeller	1	444-7002-225	1	444-7001-225	1	444-7006-225
	Impeller Assembly (With #17 Rings)	1	443-7168-644	1	443-7108-644	1	443-7160-644
2	Part of No. 3	-	-	-	-	-	-
3	Casing Assembly	125# / 125#	189-0001-010	1	189-0001-010	1	189-0009-010
		125# / 250#	189-0002-010	1	189-0002-010	-	-
		250# / 250#	189-0044-010	1	189-0044-010	-	-
4	Shaft	1	727-7000-072	1	727-7000-072	1	727-7000-072
10	Lantern Rings	2	676-7012-509	2	676-7012-509	2	676-7012-509
14	Shaft Sleeves	2	756-7000-212	2	756-7000-212	2	756-7000-212
16	Case Wear Rings	2	676-7000-208	2	676-7000-208	2	676-7009-208
17	Impeller Wear Rings (Optional)	2	676-7060-208	2	676-7060-208	2	676-7151-208
19	Packing Glands	2	372-7000-104	2	372-7000-104	2	372-7004-104
20	Stuffing Box Washers	2	908-7000-208	2	908-7000-208	2	908-7000-208
102	Impeller Key	1	472-7000-087	1	472-7000-087	1	472-7000-087
126	Water Slings	2	764-7000-999	2	764-7000-999	2	764-7000-999
157	Casing Gasket	1	364-7000-463	1	364-7000-463	1	364-7028-463
A158	Thrust Bearing Cartridge	1	176-7004-010	1	176-7004-010	1	176-7004-010
B158	Radial Bearing Cartridge	1	176-7005-010	1	176-7005-010	1	176-7005-010
159	Bearing Housing Covers	2	164-7004-010	2	164-7004-010	2	164-7004-010
163	Radial Bearing	1	068-1907-647	1	068-1907-647	1	068-1907-647
166	Shaft Sleeve O-Rings	2	364-0365-457	2	364-0365-457	2	364-0365-457
168	Thrust Bearing	1	068-1907-647	1	068-1907-647	1	068-1907-647
168A	Retaining Ring	1	676-7001-088	1	676-7001-088	1	676-7001-088
212	Packing	10	564-7000-802	10	564-7000-802	10	564-7000-802
213	Sleeve Nuts	2	544-7002-208	2	544-7002-208	2	544-7002-208
272	Coupling Key	1	472-0256-087	1	472-0256-087	1	472-0256-087

MISCELLANEOUS PARTS NOT LABELED

CAPSCREWS FOR:							
	Casing (Parting Flange)	12	168-0566-082	12	168-0566-082	12	168-0564-082
	Casing (Stuffing Box)	4	168-0576-082	4	168-0576-082	4	168-0576-082
	Bearing Housing Covers	6	168-0308-082	6	168-0308-082	6	168-0308-082
	Bearing Cartridges	6	168-0492-082	6	168-0492-082	6	168-0492-082
PINS FOR:							
	Casing (Parting Flange)	2	592-0376-087	2	592-0376-087	2	592-0376-087
	Case Wear Rings	2	592-0028-104	2	592-0028-104	2	592-0028-104
	Bearing Cartridges	4	592-0111-087	4	592-0111-087	4	592-0111-087
PIPE PLUGS FOR:							
	Suction and Discharge (Gauges)	2	600-0002-087	2	600-0002-087	2	600-0002-087
	Bearing Arm Drains	2	600-0004-028	2	600-0004-028	2	600-0004-028
	Top of Casing Volute	1	600-0004-028	1	600-0004-028	1	600-0004-028
	Side of Discharge Neck	1	600-0005-028	1	600-0005-028	1	600-0005-028
	Bearing Cartridges	2	600-0001-087	2	600-0001-087	2	600-0001-087
GLAND FASTENERS:							
	Studs	4	808-7001-360	4	808-7001-360	4	808-7001-360
	Washers	4	908-0114-080	4	908-0114-080	4	908-0114-080
	Nuts	4	544-0113-190	4	544-0113-190	4	544-0113-190
	Setscrews for Sleeve Nut	4	724-0079-113	4	724-0079-113	4	724-0079-113
	Grease Fittings	2	508-0001-651	2	508-0001-651	2	508-0001-651
FLUSH LINES:							
	Compression Elbows	4	868-3660-190	4	868-3660-190	4	868-3660-190
	Tubing	24	872-0124-175	24	872-0124-175	24	872-0124-175
	Ball Valves	2	896-4533-644	2	896-4533-644	2	896-4533-644

2800F REPAIR PARTS LIST

PC. NO.	PART DESCRIPTION	4-2876AF		4-2876CF		4-2823CF	
		QTY	PART NUMBER	QTY	PART NUMBER	QTY	PART NUMBER
1	Impeller	1	444-7023-225	1	444-7005-208	1	444-7004-225
	Impeller Assembly (With #17 Rings)	1	443-7122-644	—	—	1	443-7054-644
2	Part of No. 3	—	—	—	—	—	—
3	Casing Assembly	125# / 125#	189-0007-010	1	189-0007-010	1	189-0005-010
		125# / 250#	189-0008-010	1	189-0008-010	—	189-0006-010
		250# / 250#	189-0047-010	1	189-0047-010	—	189-0043-010
4	Shaft	1	727-7005-072	1	727-7005-072	1	727-7003-072
10	Lantern Rings	2	676-7010-509	2	676-7010-509	2	676-7010-509
14	Shaft Sleeves	2	756-7004-212	2	756-7004-212	2	756-7003-212
16	Case Wear Rings	2	676-7009-208	2	676-7009-208	2	676-7009-208
17	Impeller Wear Rings (Optional)	2	676-7053-208	—	—	2	676-7053-208
19	Packing Glands	2	372-7003-104	2	372-7003-104	2	372-7003-104
20	Stuffing Box Washers	2	908-7003-208	2	908-7003-208	2	908-7003-208
102	Impeller Key	1	472-7000-087	1	472-7000-087	1	472-7000-087
126	Water Slingers	2	764-7001-999	2	764-7001-999	2	764-7001-999
157	Casing Gasket	1	364-7023-463	1	364-7023-463	1	364-7003-463
A158	Thrust Bearing Cartridge	1	176-7006-010	1	176-7006-010	1	176-7006-010
B158	Radial Bearing Cartridge	1	176-7007-010	1	176-7007-010	1	176-7007-010
159	Bearing Housing Covers	2	164-7005-010	2	164-7005-010	2	164-7005-010
163	Radial Bearing	1	068-1909-647	1	068-1909-647	1	068-1909-647
166	Shaft Sleeve O-Rings	2	364-0374-457	2	364-0374-457	2	364-0372-457
168	Thrust Bearing	1	068-1909-647	1	068-1909-647	1	068-1909-647
168A	Retaining Ring	1	676-7011-088	1	676-7011-088	1	676-7011-088
212	Packing	10	564-7001-802	10	564-7001-802	10	564-0174-802
213	Sleeve Nuts	2	544-7001-208	2	544-7001-208	2	544-7001-208
272	Coupling Key	1	472-7003-087	1	472-7003-087	1	472-7003-087

MISCELLANEOUS PARTS NOT LABELED

CAPSCREWS FOR:							
Casing (Parting Flange)	14	168-0640-082	14	168-0640-082	17	168-0638-082	
Casing (Stuffing Box)	4	168-0650-082	4	168-0650-082	4	168-0648-082	
Bearing Housing Covers	6	168-0308-082	6	168-0308-082	6	168-0308-082	
Bearing Cartridges	6	168-0492-082	6	168-0492-082	6	168-0492-082	
PINS FOR:							
Casing (Parting Flange)	2	592-7000-087	2	592-7000-087	2	592-7000-087	
Case Wear Rings	2	592-0028-104	2	592-0028-104	2	592-0028-104	
Bearing Cartridges	4	592-0111-087	4	592-0111-087	4	592-0111-087	
PIPE PLUGS FOR:							
Suction and Discharge (Gauges)	2	600-0002-087	2	600-0002-087	2	600-0002-087	
Bearing Arm Drains	2	600-0004-028	2	600-0004-028	2	600-0004-028	
Top of Casing Volute	1	600-0004-028	1	600-0004-028	1	600-0004-028	
Side of Discharge Neck	1	600-0005-028	1	600-0005-028	1	600-0005-028	
Bearing Cartridges	2	600-0001-087	2	600-0001-087	2	600-0001-087	
GLAND FASTENERS:							
Studs	4	808-7002-360	4	808-7002-360	4	808-7002-360	
Washers	4	908-0114-080	4	908-0114-080	4	908-0114-080	
Nuts	4	544-0113-190	4	544-0113-190	4	544-0113-190	
Setscrews for Sleeve Nut	4	724-0079-113	4	724-0079-113	4	724-0079-113	
Grease Fittings	2	508-0001-651	2	508-0001-651	2	508-0001-651	
FLUSH LINES:							
Compression Elbows	4	868-3660-190	4	868-3660-190	4	868-3660-190	
Tubing	24	872-0124-175	24	872-0124-175	24	872-0124-175	
Ball Valves	2	896-4533-644	2	896-4533-644	2	896-4533-644	

2800F REPAIR PARTS LIST

PC. NO.	PART DESCRIPTION	5-2823AF		5-2824AF		6-2876AF		6-2876BF	
		QTY	PART NUMBER	QTY	PART NUMBER	QTY	PART NUMBER	QTY	PART NUMBER
1	Impeller	1	444-7007-225	1	444-7008-225	1	444-7009-208	1	444-3413-227
	Impeller Assembly (With #17 Rings)	1	443-7055-644	1	443-7041-644	—	—	—	—
2	Part of No. 3	—	—	—	—	—	—	—	—
3	Casing Assembly	125# / 125#	1 189-0010-010	1 189-0012-010	1 189-0042-010	1 189-0042-010	1 189-0042-010	1 189-0042-010	
		125# / 250#	1 189-0011-010	1 189-0013-010	1 189-0014-010	1 189-0014-010	1 189-0014-010	1 189-0014-010	
		250# / 250#	1 189-0046-010	1 189-0048-010	1 189-0151-010	1 189-0151-010	1 189-0151-010	1 189-0151-010	
4	Shaft	1	727-7003-072	1	727-7006-072	1	727-7005-072	1	727-7005-072
10	Lantern Rings	2	676-7010-509	2	676-7015-509	2	676-7010-509	2	676-7010-509
14	Shaft Sleeves	2	756-7003-212	2	756-7005-212	2	756-7004-212	2	756-7004-212
16	Case Wear Rings	2	676-7014-208	2	676-7014-208	2	676-7009-208	2	676-7009-208
17	Impeller Wear Rings (Optional)	2	676-7041-208	2	676-7070-208	—	—	—	—
19	Packing Glands	2	372-7003-104	2	372-7005-104	2	372-7003-104	2	372-7003-104
20	Stuffing Box Washers	2	908-7003-208	2	908-7004-208	2	908-7003-208	2	908-7003-208
102	Impeller Key	1	472-7000-087	1	472-7004-087	1	472-7000-087	1	472-7000-087
126	Water Slingers	2	764-7001-999	2	764-7002-999	2	764-7001-999	2	764-7001-999
157	Casing Gasket	1	364-7029-463	1	364-7005-463	1	364-7007-463	1	364-7007-463
A158	Thrust Bearing Cartridge	1	176-7006-010	1	176-7010-010	1	176-7006-010	1	176-7006-010
B158	Radial Bearing Cartridge	1	176-7007-010	1	176-7011-010	1	176-7007-010	1	176-7007-010
159	Bearing Housing Covers	2	164-7005-010	2	164-7007-010	2	164-7005-010	2	164-7005-010
163	Radial Bearing	1	068-1909-647	1	068-1912-647	1	068-1909-647	2	068-1909-647
166	Shaft Sleeve O-Rings	2	364-0372-457	2	364-0381-457	2	364-0374-457	2	364-0373-457
168	Thrust Bearing	1	068-1909-647	1	068-1912-647	1	068-1909-647	2	068-1909-647
168A	Retaining Ring	1	676-7011-088	1	676-0289-088	1	676-7011-088	1	676-7011-088
212	Packing	10	564-0175-802	10	564-7002-802	12	564-7001-802	12	564-7001-802
213	Sleeve Nuts	2	544-7001-208	2	544-7004-208	2	544-7001-208	2	544-7001-208
272	Coupling Key	1	472-7003-087	1	472-0362-087	1	472-7003-087	1	472-7003-087

MISCELLANEOUS PARTS NOT LABELED

CAPSCREWS FOR:

Casing (Parting Flange)	19	168-0638-082	17	168-0680-082	14	168-0640-082	14	168-0640-082
Casing (Stuffing Box)	4	168-0650-082	4	168-0688-082	4	168-0650-082	4	168-0650-082
Bearing Housing Covers	6	168-0308-082	6	168-0308-082	6	168-0308-082	6	168-0308-082
Bearing Cartridges	6	168-0492-082	6	168-0492-082	6	168-0492-082	6	168-0492-082

PINS FOR:

Casing (Parting Flange)	2	592-7000-087	2	592-7000-087	2	592-7000-087	2	592-7000-087
Case Wear Rings	2	592-0028-104	2	592-0028-104	2	592-7009-087	2	592-7009-087
Bearing Cartridges	4	592-0111-087	4	592-0111-087	4	592-0111-087	4	592-0111-087

PIPE PLUGS FOR:

Suction and Discharge (Gauges)	2	600-0002-087	2	600-0002-087	2	600-0002-087	2	600-0002-087
Bearing Arm Drains	2	600-0004-028	2	600-0004-028	2	600-0004-028	2	600-0004-028
Top of Casing Volute	1	600-0004-028	1	600-0004-028	1	600-0004-028	1	600-0004-028
Side of Discharge Neck	1	600-0006-028	1	600-0006-028	1	600-0006-028	1	600-0006-028
Bearing Cartridges	2	600-0001-087	2	600-0001-087	2	600-0001-087	2	600-0001-087

GLAND FASTENERS:

Studs	4	808-7002-360	4	808-7002-360	4	808-7002-360	4	808-7002-360
Washers	4	908-0114-080	4	908-0114-080	4	908-0114-080	4	908-0114-080
Nuts	4	544-0113-190	4	544-0113-190	4	544-0113-190	4	544-0113-190
Setscrews for Sleeve Nut	4	724-0079-113	4	724-0079-113	4	724-0079-113	4	724-0079-113
Grease Fittings	2	508-0001-651	2	508-0001-651	2	508-0001-651	2	508-0001-651

FLUSH LINES:

Compression Elbows	4	868-3660-190	4	868-3660-190	4	868-3660-190	4	868-3660-190
Tubing	24	872-0124-175	24	872-0124-175	24	872-0124-175	24	872-0124-175
Ball Valves	2	896-4533-644	2	896-4533-644	2	896-4533-644	2	896-4533-644

2800F REPAIR PARTS LIST

PC. NO.	PART DESCRIPTION	6-2823AF		6-2823CF		6-2824CF	
		QTY	PART NUMBER	QTY	PART NUMBER	QTY	PART NUMBER
1	Impeller	1	444-7015-225	1	444-7016-225	1	444-7014-225
	Impeller Assembly (With #17 Rings)	1	443-7083-644	1	443-7133-644	1	443-7114-644
2	Part of No. 3	-	-	-	-	-	-
3	Casing Assembly	125# / 125#	189-0021-010	1	189-0021-010	1	189-0019-010
		125# / 250#	189-0022-010	1	189-0022-010	1	189-0020-010
		250# / 250#	189-0052-010	1	189-0052-010	1	189-0050-010
4	Shaft	1	727-7008-072	1	727-7008-072	1	727-7008-072
10	Lantern Rings	2	676-7015-509	2	676-7015-509	2	676-7015-509
14	Shaft Sleeves	2	756-7007-212	2	756-7007-212	2	756-7007-212
16	Case Wear Rings	2	676-7019-208	2	676-7019-208	2	676-7018-208
17	Impeller Wear Rings (Optional)	2	676-7063-208	2	676-7063-208	2	676-7095-208
19	Packing Glands	2	372-7005-104	2	372-7005-104	2	372-7005-104
20	Stuffing Box Washers	2	908-7004-208	2	908-7004-208	2	908-7004-208
102	Impeller Key	1	472-7004-087	1	472-7004-087	1	472-7004-087
126	Water Slingers	2	764-7002-999	2	764-7002-999	2	764-7002-999
157	Casing Gasket	1	364-7009-463	1	364-7009-463	1	364-7008-463
A158	Thrust Bearing Cartridge	1	176-7010-010	1	176-7010-010	1	176-7010-010
B158	Radial Bearing Cartridge	1	176-7011-010	1	176-7011-010	1	176-7011-010
159	Bearing Housing Covers	2	164-7007-010	2	164-7007-010	2	164-7007-010
163	Radial Bearing	1	068-1912-647	1	068-1912-647	1	068-1912-647
166	Shaft Sleeve O-Rings	2	364-0381-457	2	364-0381-457	2	364-0381-457
168	Thrust Bearing	1	068-1912-647	1	068-1912-647	1	068-1912-647
168A	Retaining Ring	1	676-0289-088	1	676-0289-088	1	676-0289-088
212	Packing	10	564-7002-802	10	564-7002-802	10	564-7002-802
213	Sleeve Nuts	2	544-7004-208	2	544-7004-208	2	544-7004-208
272	Coupling Key	1	472-0362-087	1	472-0362-087	1	472-0362-087

MISCELLANEOUS PARTS NOT LABELED

CAPSCREWS FOR:							
Casing (Parting Flange)	22	168-0640-082	22	168-0640-082	19	168-0680-082	
Casing (Stuffing Box)	4	168-0652-082	4	168-0652-082	4	168-0688-082	
Bearing Housing Covers	6	168-0308-082	6	168-0308-082	6	168-0308-082	
Bearing Cartridges	6	168-0492-082	6	168-0492-082	6	168-0492-082	
PINS FOR:							
Casing (Parting Flange)	2	592-7000-087	2	592-7000-087	2	592-7000-087	
Case Wear Rings	2	592-7009-087	2	592-7009-087	2	592-7009-087	
Bearing Cartridges	4	592-0111-087	4	592-0111-087	4	592-0111-087	
PIPE PLUGS FOR:							
Suction and Discharge (Gauges)	2	600-0002-087	2	600-0002-087	2	600-0002-087	
Bearing Arm Drains	2	600-0004-028	2	600-0004-028	2	600-0004-028	
Top of Casing Volute	1	600-0004-028	1	600-0004-028	1	600-0004-028	
Side of Discharge Neck	1	600-0006-028	1	600-0006-028	1	600-0006-028	
Bearing Cartridges	2	600-0001-087	2	600-0001-087	2	600-0001-087	
GLAND FASTENERS:							
Studs	4	808-7002-360	4	808-7002-360	4	808-7002-360	
Washers	4	908-0114-080	4	908-0114-080	4	908-0114-080	
Nuts	4	544-0113-190	4	544-0113-190	4	544-0113-190	
Setscrews for Sleeve Nut	4	724-0079-113	4	724-0079-113	4	724-0079-113	
Grease Fittings	2	508-0001-651	2	508-0001-651	2	508-0001-651	
FLUSH LINES:							
Compression Elbows	4	868-3660-190	4	868-3660-190	4	868-3660-190	
Tubing	24	872-0124-175	24	872-0124-175	24	872-0124-175	
Ball Valves	2	896-4533-644	2	896-4533-644	2	896-4533-644	

2800F REPAIR PARTS LIST

PC. NO.	PART DESCRIPTION	6-2825AF		8-2823AF		8-2824AF	
		QTY	PART NUMBER	QTY	PART NUMBER	QTY	PART NUMBER
1	Impeller	1	444-7022-208	1	444-7019-225	1	444-7020-225
	Impeller Assembly (With #17 Rings)	—	—	1	443-7088-644	—	443-7117-644
2	Part of No. 3	—	—	—	—	—	—
3	Casing Assembly	125# / 125#	189-0029-010	1	189-0024-010	1	189-0026-010
		125# / 250#	189-0030-010	1	189-0025-010	1	189-0027-010
		250# / 250#	189-0051-010	1	189-0045-010	1	189-0049-010
4	Shaft	1	727-7009-072	1	727-7014-072	1	727-7015-072
10	Lantern Rings	2	676-7021-509	2	676-7015-509	2	676-7021-509
14	Shaft Sleeves	2	756-7008-212	2	756-7013-212	2	756-7014-212
16	Case Wear Rings	2	676-7020-208	2	676-7027-208	2	676-7042-208
17	Impeller Wear Rings (Optional)	—	—	2	676-7086-208	2	676-7107-208
19	Packing Glands	2	372-7007-104	2	372-7005-104	2	372-7007-104
20	Stuffing Box Washers	2	908-7005-208	2	908-7004-208	2	908-7005-208
102	Impeller Key	1	472-7007-087	1	472-7004-087	1	472-7007-087
126	Water Slingers	2	764-7004-999	2	764-7002-999	2	764-7004-999
157	Casing Gasket	1	364-7010-463	1	364-7017-463	1	364-7018-463
A158	Thrust Bearing Cartridge	1	176-7014-010	1	176-7010-010	1	176-7014-010
B158	Radial Bearing Cartridge	1	176-7015-010	1	176-7011-010	1	176-7015-010
159	Bearing Housing Covers	2	164-7009-010	2	164-7007-010	2	164-7009-010
163	Radial Bearing	1	068-1914-647	1	068-1912-647	1	068-1914-647
166	Shaft Sleeve O-Rings	2	364-0388-457	2	364-0381-457	2	364-0388-457
168	Thrust Bearing	1	068-1914-647	1	068-1912-647	1	068-1914-647
168A	Retaining Ring	1	676-0295-088	1	676-0289-088	1	676-0295-088
212	Packing	10	564-7003-802	10	564-7002-802	10	564-7003-802
213	Sleeve Nuts	2	544-7006-208	2	544-7004-208	2	544-7006-208
272	Coupling Key	1	472-0390-087	1	472-0362-087	1	472-0390-087

MISCELLANEOUS PARTS NOT LABELED

CAPSCREWS FOR:							
	Casing (Parting Flange)	23	168-0680-082	22	168-0680-082	26	168-0680-082
	Casing (Stuffing Box)	4	168-0690-082	4	168-0688-082	4	168-0690-082
	Bearing Housing Covers	6	168-0308-082	6	168-0308-082	6	168-0308-082
	Bearing Cartridges	6	168-0492-082	6	168-0492-082	6	168-0492-082
PINS FOR:							
	Casing (Parting Flange)	2	592-7000-087	2	592-7000-087	2	592-7000-087
	Case Wear Rings	2	592-7009-087	2	592-7009-087	2	592-7009-087
	Bearing Cartridges	4	592-0111-087	4	592-0111-087	4	592-0111-087
PIPE PLUGS FOR:							
	Suction and Discharge (Gauges)	2	600-0002-087	2	600-0002-087	2	600-0002-087
	Bearing Arm Drains	2	600-0004-028	2	600-0004-028	2	600-0004-028
	Top of Casing Volute	1	600-0004-028	1	600-0004-028	1	600-0004-028
	Side of Discharge Neck	1	600-0006-028	1	600-0006-028	1	600-0006-028
	Bearing Cartridges	2	600-0001-087	2	600-0001-087	2	600-0001-087
GLAND FASTENERS:							
	Studs	4	808-7002-360	4	808-7002-360	4	808-7002-360
	Washers	4	908-0114-080	4	908-0114-080	4	908-0114-080
	Nuts	4	544-0113-190	4	544-0113-190	4	544-0113-190
	Setscrews for Sleeve Nut	4	724-0079-113	4	724-0077-104	4	724-0079-113
	Grease Fittings	2	508-0001-651	2	508-0001-651	2	508-0001-651
FLUSH LINES:							
	Compression Elbows	4	868-3660-190	4	868-3660-190	4	868-3660-190
	Tubing	24	872-0124-175	24	872-0124-175	24	872-0124-175
	Ball Valves	2	896-4533-644	2	896-4533-644	2	896-4533-644

2800F REPAIR PARTS LIST

PC. NO.	PART DESCRIPTION	10-2825AF	
		QTY	PART NUMBER
1	Impeller	1	444-7032-208
	Impeller Assembly (With #17 Rings)	—	—
2	Part of No. 3	—	—
3	Casing Assembly	125# / 125#	—
		125# / 250#	1
		250# / 250#	—
4	Shaft	1	727-7016-072
10	Lantern Rings	2	676-7021-509
14	Shaft Sleeves	2	756-7015-212
16	Case Wear Rings	2	676-7029-208
17	Impeller Wear Rings (Optional)	—	—
19	Packing Glands	2	372-7007-104
20	Stuffing Box Washers	2	908-7005-208
102	Impeller Key	1	472-7032-104
126	Water Slingers	2	764-7004-999
157	Casing Gasket	1	364-7020-463
A158	Thrust Bearing Cartridge	1	176-7014-010
B158	Radial Bearing Cartridge	1	176-7020-010
159	Bearing Housing Covers	2	164-7009-010
163	Radial Bearing	1	068-1915-647
166	Shaft Sleeve O-Rings	2	364-0388-457
168	Thrust Bearing	1	068-1914-647
168A	Retaining Ring	1	676-0295-088
212	Packing	10	564-7003-802
213	Sleeve Nuts	2	544-7006-208
272	Coupling Key	1	472-0394-087

MISCELLANEOUS PARTS NOT LABELED

CAPSCREWS FOR:

Casing (Parting Flange)	26	168-0640-082
Casing (Stuffing Box)	4	168-0564-082
Bearing Housing Covers	6	168-0308-082
Bearing Cartridges	6	168-0492-082

PINS FOR:

Casing (Parting Flange)	2	592-0376-087
Case Wear Rings	2	592-7009-087
Bearing Cartridges	4	592-0111-087

PIPE PLUGS FOR:

Suction and Discharge (Gauges)	2	600-0002-087
Bearing Arm Drains	2	600-0004-028
Top of Casing Volute	1	600-0004-028
Side of Discharge Neck	1	600-0006-028
Bearing Cartridges	2	600-0001-087

GLAND FASTENERS:

Studs	4	808-7002-360
Washers	4	908-0114-080
Nuts	4	544-0113-190
Setscrews for Sleeve Nut	4	724-0079-113
Grease Fittings	2	508-0001-651

FLUSH LINES:

Compression Elbows	4	868-3660-190
Tubing	24	872-0124-175
Ball Valves	2	896-4533-644

5800F REPAIR PARTS LIST

PC.NO.	PART DESCRIPTION	3-5876AF		4-5823F		4-5824F	
		QTY	PART NUMBER	QTY	PART NUMBER	QTY	PART NUMBER
1	Impeller	—	—	1	444-7003-225	1	444-7026-225
	Impeller Assembly (With #17 Rings)	1	443-7025-644	1	443-7105-644	1	443-7106-644
2	Part of No. 3	—	—	—	—	—	—
3	Casing Assembly	125# / 125#	189-0031-010	1	189-0003-010	1	189-0004-010
		125# / 250#	189-0032-010	—	—	—	—
		250# / 250#	—	—	—	—	—
4	Shaft	1	727-7002-072	1	727-7001-072	1	727-7001-072
6	Part of No. 3	—	—	—	—	—	—
10	Lantern Rings	2	676-7003-509	2	676-7005-509	2	676-7005-509
14	Shaft Sleeves	2	756-7027-212	2	756-7001-212	2	756-7001-212
16	Case Wear Rings	2	676-7004-208	2	676-7002-208	2	676-7002-208
17	Impeller Wear Rings (Optional)	2	676-7008-208	2	676-7043-208	2	676-7043-208
19	Packing Glands	2	372-7002-104	2	372-7001-104	2	372-7001-104
20	Stuffing Box Washers	2	908-7002-208	2	908-7001-208	2	908-7001-208
102	Impeller Key	1	472-7002-087	1	472-7001-087	1	472-7001-087
126	Water Slingers	—	—	—	—	—	—
157	Casing Gasket	1	364-7002-463	1	364-7001-463	1	364-7004-463
158A	Grease Seal	1	712-7000-653	1	712-7002-653	1	712-7002-653
158B	Dowel Pin	—	—	2	592-0857-087	2	592-0858-087
A158	Thrust Bearing Cartridge	1	176-7000-010	1	176-7008-010	1	176-7008-010
B158	Radial Bearing Cartridge	1	176-7001-010	1	176-7009-010	1	176-7009-010
159	Bearing Housing Covers	2	164-7001-010	2	164-7006-010	2	164-7006-010
159A	Grease Seal	2	712-7001-653	2	712-7003-653	2	712-7003-653
161	Bearing Locknut	1	544-0707-080	1	544-0708-080	1	544-0708-080
162	Bearing Lockwasher	1	908-0407-080	1	908-0408-080	1	908-0408-080
163	Radial Bearing	1	068-0157-647	1	068-0158-647	1	068-0158-647
166	Shaft Sleeve O-Rings	2	364-0423-457	—	—	2	364-0426-457
168	Thrust Bearing	1	068-0157-647	1	068-0158-647	1	068-0158-647
168A	Retaining Ring	1	676-7007-088	1	676-7013-088	1	676-7013-088
212	Packing	10	564-0105-802	10	564-0110-802	10	564-0110-802
213	Sleeve Nuts	2	544-7000-208	2	544-7003-208	2	544-7003-208
272	Coupling Key	1	472-0259-087	1	472-0256-087	1	472-0256-087
345	Bearing Snap Ring	—	—	—	—	—	—

5800F REPAIR PARTS LIST

PART DESCRIPTION	3-5876AF		4-5823F		4-5824F	
	QTY	PART NUMBER	QTY	PART NUMBER	QTY	PART NUMBER
MISCELLANEOUS PARTS NOT LABELED						
CAPSCREWS FOR:						
Casing (Parting Flange)	23	168-0680-082	22	168-0680-082	26	168-0680-082
Casing (Stuffing Box)	4	168-0690-082	4	168-0688-082	4	168-0690-082
Bearing Housing Covers	6	168-0308-082	6	168-0308-082	6	168-0308-082
Bearing Cartridges	6	168-0492-082	6	168-0492-082	6	168-0492-082
PINS FOR:						
Casing (Parting Flange)	2	592-7000-087	2	592-7000-087	2	592-7000-087
Case Wear Rings	2	592-7009-087	2	592-7009-087	2	592-7009-087
Bearing Cartridges	4	592-0111-087	4	592-0111-087	4	592-0111-087
PIPE PLUGS FOR:						
Suction and Discharge (Gauges)	2	600-0002-087	2	600-0002-087	2	600-0002-087
Bearing Arm Drains	2	600-0004-028	2	600-0004-028	2	600-0004-028
Top of Casing Volute	1	600-0004-028	1	600-0004-028	1	600-0004-028
Side of Discharge Neck	1	600-0006-028	1	600-0006-028	1	600-0006-028
Bearing Cartridges	2	600-0001-087	2	600-0001-087	2	600-0001-087
GLAND FASTENERS:						
Studs	4	808-7002-360	4	808-7002-360	4	808-7002-360
Washers	4	908-0114-080	4	908-0114-080	4	908-0114-080
Nuts	4	544-0113-190	4	544-0113-190	4	544-0113-190
Setscrews for Sleeve Nut	4	724-0079-113	4	724-0077-104	4	724-0079-113
Grease Fittings	2	508-0001-651	2	508-0001-651	2	508-0001-651
FLUSH LINES:						
Compression Elbows	4	868-3660-190	4	868-3660-190	4	868-3660-190
Tubing	24	872-0124-175	24	872-0124-175	24	872-0124-175
Ball Valves	2	896-4533-644	2	896-4533-644	2	896-4533-644

PART DESCRIPTION	3-5876AF		4-5823F		4-5824F	
	QTY	PART NUMBER	QTY	PART NUMBER	QTY	PART NUMBER
GLAND FASTENERS:						
Swingbolts or Studs	4	100-7001-360	4	100-7001-360	4	100-7001-360
Washers	4	908-0114-080	4	908-0114-080	4	908-0114-080
Nuts	4	544-0113-190	4	544-0113-190	4	544-0113-190
Setscrews for Sleeve Nut	—	—	—	—	—	—
Grease Fittings	2	508-0001-651	2	508-0001-651	2	508-0001-651
Bearing Cover O-Rings	2	—	2	364-0426-457	—	—
Bearing Spacer	1	—	1	772-7000-063	1	772-7000-063
Lifting Eyebolt	—	—	—	—	—	—
FLUSH LINES:						
Compression Elbows	4	868-3660-190	4	868-3660-190	4	868-3660-190
Tubing	24	872-0124-175	24	872-0124-175	24	872-0124-175
Ball Valves	2	896-4533-644	2	896-4533-644	2	896-4533-644

5800F REPAIR PARTS LIST

PC.NO.	PART DESCRIPTION	5-5876F		6-5876F		6-5823F		
		QTY	PART NUMBER	QTY	PART NUMBER	QTY	PART NUMBER	
1	Impeller	1	444-7027-225	1	444-7011-225	1	444-7010-225	
	Impeller Assembly (With #17 Rings)	—	—	—	—	—	—	
2	Part of No. 3	—	—	—	—	—	—	
3	Casing Assembly	125# / 125#	1	189-0033-010	1	189-0016-010	1	189-0015-010
		125# / 250#	1	189-0034-010	1	189-0017-010	—	—
		250# / 250#	—	—	1	189-0064-010	—	—
4	Shaft	1	727-7007-072	1	727-7011-072	1	727-7010-072	
6	Part of No. 3	—	—	—	—	—	—	
10	Lantern Rings	2	676-7010-509	2	676-7010-509	2	676-7010-509	
14	Shaft Sleeves	2	756-7006-212	2	756-7006-212	2	756-7009-212	
16	Case Wear Rings	2	676-7016-208	2	676-7024-208	2	676-7022-208	
17	Impeller Wear Rings (Optional)	—	—	—	—	2	676-7013-208	
19	Packing Glands	2	372-7006-104	2	372-7006-104	2	372-7006-104	
20	Stuffing Box Washers	—	—	—	—	2	908-7006-208	
102	Impeller Key	1	472-7006-087	1	472-7006-087	1	472-7008-087	
126	Water Slingers	2	764-7003-478	2	764-7003-478	—	—	
157	Casing Gasket	1	364-7006-463	1	364-7012-463	1	364-7030-463	
158A	Grease Seal	—	—	—	—	1	712-7004-653	
A158	Thrust Bearing Cartridge	1	176-7012-010	1	176-7012-010	1	176-7016-010	
B158	Radial Bearing Cartridge	1	176-7013-010	1	176-7013-010	1	176-7017-010	
159	Bearing Housing Covers	2	164-7008-010	2	164-7008-010	2	164-7011-010	
159A	Grease Seal	—	—	—	—	2	712-7005-653	
161	Bearing Locknut	—	—	—	—	1	544-0710-080	
162	Bearing Lockwasher	—	—	—	—	1	908-0410-080	
163	Radial Bearing	1	068-0160-647	1	068-0160-647	1	068-0160-647	
168	Thrust Bearing	1	068-0160-647	1	068-0160-647	1	068-0160-647	
168A	Retaining Ring	2	676-7017-088	2	676-7017-088	—	—	
212	Packing	12	564-7001-802	12	564-7001-802	10	564-7001-802	
213	Sleeve Nuts	2	544-7005-208	2	544-7005-208	2	544-7005-208	
272	Coupling Key	1	472-7005-087	1	472-7005-087	1	472-7005-087	
345	Bearing Snap Ring	1	676-7023-088	1	676-7023-088	1	676-7023-088	

5800F REPAIR PARTS LIST

PART DESCRIPTION	5-5876F		6-5876F		6-5823F	
	QTY	PART NUMBER	QTY	PART NUMBER	QTY	PART NUMBER
MISCELLANEOUS PARTS NOT LABELED						
CAPSCREWS FOR:						
Casing (Parting Flange)	17	168-0363-082	21	168-0366-082	15	168-0636-082
Casing (Stuffing Box)	4	168-0562-082	4	168-0562-082	4	168-0640-082
Bearing Cap (No. 6)	—	—	—	—	4	168-0578-082
Bearing Housing Covers	8	168-0308-082	8	168-0308-082	8	168-0304-082
Bearing Cartridge to Bearing Arms	8	168-0490-082	8	168-0490-082	—	—
PINS FOR:						
Casing (Parting Flange)	2	592-0376-087	2	592-0376-087	2	592-0028-104
Case Wear Rings	2	592-0376-104	2	592-0028-104	2	592-7009-087
Bearing Cartridges	4	592-0111-087	4	592-0111-087	4	592-7005-087
PIPE PLUGS FOR:						
Suction and Discharge (Gauges)	2	600-0002-087	2	600-0002-087	2	600-0002-087
Bearing Arm Drains	2	600-0004-028	2	600-0004-028	2	600-0004-028
Top of Casing Volute	1	600-0004-028	1	600-0004-028	1	600-0006-028
Bottom of Necks	2	600-0004-028	2	600-0004-028	2	600-0004-028
Side of Discharge Neck	1	600-0006-028	1	600-0006-028	1	600-0006-028
Bearing Cartridges	2	600-0001-087	2	600-0001-087	—	—

PART DESCRIPTION	5-5876F		6-5876F		6-5823F	
	QTY	PART NUMBER	QTY	PART NUMBER	QTY	PART NUMBER
GLAND FASTENERS:						
Swingbolts or Studs	4	808-7002-360	4	808-7002-360	4	100-7001-360
Washers	4	908-0114-080	4	908-0114-080	4	908-0114-080
Nuts	4	544-0113-190	4	544-0113-190	4	544-0113-190
Setscrews for Sleeve Nut	4	724-0079-113	—	—	—	—
Grease Fittings	2	508-0001-651	2	508-0001-651	2	508-0001-651
Bearing Cover O-Rings	—	—	—	—	2	364-0432-457
Bearing Spacer	2	100-0104-080	2	100-0104-080	—	—
Lifting Eyebolt	—	—	—	—	—	—
FLUSH LINES:						
Compression Elbows	4	868-3660-190	4	868-3660-190	4	868-3660-190
Tubing	24	872-0124-175	24	872-0124-175	24	872-0124-175
Ball Valves	2	896-4533-644	2	896-4533-644	2	896-4533-644

5800F REPAIR PARTS LIST

PC.NO.	PART DESCRIPTION	6-5824F		8-5826F		10-5824F	
		QTY	PART NUMBER	QTY	PART NUMBER	QTY	PART NUMBER
1	Impeller	1	444-7033-225	—	—	1	444-7021-208
	Impeller Assembly (With #17 Rings)	1	443-7080-644	1	443-7113-644	1	443-7097-644
2	Part of No. 3	—	—	—	—	—	—
3	Casing Assembly	125# / 125#	189-0038-010	1	189-0134-010	1	189-0028-010
		125# / 250#	—	—	—	1	189-0120-010
		250# / 250#	—	—	1	189-0118-010	1
4	Shaft	1	727-7010-072	1	727-7025-072	1	727-7017-072
6	Part of No. 3	—	—	—	—	—	—
10	Lantern Rings	2	676-7010-509	2	676-7078-509	2	676-7030-509
14	Shaft Sleeves	2	756-7009-212	2	756-7047-212	2	756-7016-212
16	Case Wear Rings	2	676-7022-208	2	676-7125-208	2	676-7031-208
17	Impeller Wear Rings (Optional)	2	676-7034-208	2	676-7124-208	2	676-7075-208
19	Packing Glands	2	372-7006-104	2	372-7035-104	2	372-7009-104
20	Stuffing Box Washers or Bushings	2	908-7006-208	2	136-7012-208	2	136-7002-208
102	Impeller Key	1	472-7008-087	1	472-7035-087	1	472-7012-087
126	Water Slingers	—	—	2	764-0173-478	—	—
157	Casing Gasket	1	364-7013-463	1	364-7070-463	1	364-7021-463
158A	Grease Seal	1	712-7004-653	1	712-7034-653	1	712-7005-653
A158	Thrust Bearing Cartridge	1	176-7016-010	1	176-7059-010	1	176-7021-010
B158	Radial Bearing Cartridge	1	176-7017-010	1	176-7060-010	1	176-7022-010
159	Bearing Housing Covers	2	164-7011-010	2	164-7044-010	2	164-7017-010
159A	Grease Seal	2	712-7005-653	2	712-7035-653	2	712-7006-653
161	Bearing Locknut	1	544-0710-080	1	544-0716-080	1	544-0712-080
162	Bearing Lockwasher	1	908-0410-080	1	908-0416-080	1	908-0412-080
163	Radial Bearing	1	068-0160-647	1	068-0166-647	1	068-0162-647
168	Thrust Bearing	1	068-0160-647	1	068-0166-647	1	068-0162-647
212	Packing	10	564-7001-802	10	564-7006-802	12	564-0181-802
213	Sleeve Nuts	2	544-7005-208	2	544-7015-208	2	544-7007-208
272	Coupling Key	1	472-7005-087	1	472-0395-087	1	472-7013-087
345	Bearing Snap Ring	1	676-7023-088	1	676-7023-088	1	676-7023-088

5800F REPAIR PARTS LIST

PART DESCRIPTION	6-5824F		8-5826F		10-5824F	
	QTY	PART NUMBER	QTY	PART NUMBER	QTY	PART NUMBER
MISCELLANEOUS PARTS NOT LABELED						
CAPSCREWS FOR:						
Casing (Parting Flange)	16	168-0674-082	33	168-0825-082	18	168-0674-082
Casing (Stuffing Box)	4	168-0674-082	4	168-0825-082	4	168-0680-082
Bearing Cap (No. 6)	4	168-0578-082	—	—	4	168-0652-082
Bearing Housing Covers	8	168-0304-082	8	168-0382-082	8	168-0384-082
Bearing Cartridge to Bearing Arms	—	—	8	168-0636-082	—	—
PINS FOR:						
Casing (Parting Flange)	2	592-7002-087	2	592-7008-087	2	592-7007-087
Case Wear Rings	2	592-7009-087	2	592-0028-104	2	592-7002-087
Bearing Cartridges	2	592-0376-087	4	592-0859-087	—	—
PIPE PLUGS FOR:						
Suction and Discharge (Gauges)	2	600-0002-087	2	600-0004-087	2	600-0002-087
Bearing Arm Drains	2	600-0004-028	2	600-0004-028	2	600-0004-028
Top of Casing Volute	1	600-0005-028	1	600-0004-028	1	600-0005-028
Bottom of Necks	1	600-0004-028	2	600-0006-028	1	600-0006-028
Side of Discharge Neck	2	600-0006-028	2	600-0006-028	1	600-0006-028
End of Thrust Bearing Cartridge	—	—	1	600-0005-028	—	—
Bearing Cartridges	2	600-0006-028	2	600-0002-087	—	—

PART DESCRIPTION	6-5824F		8-5826F		10-5824F	
	QTY	PART NUMBER	QTY	PART NUMBER	QTY	PART NUMBER
GLAND FASTENERS:						
Swingbolts or Studs	4	100-7001-360	8	808-0110-104	4	100-7002-360
Washers	4	908-0114-080	—	—	4	908-0116-080
Nuts	4	544-0113-190	8	544-0109-190	4	544-0115-190
Gland Clip	—	—	—	—	4	204-7001-104
Gland Ring	—	—	2	676-7126-208	—	—
Spacer Sleeve	—	—	—	—	2	772-7003-212
Setscrews for Sleeve Nut	—	—	—	—	4	724-0643-113
Grease Fittings	2	508-0001-651	2	508-0001-651	2	508-0001-651
Bearing Cover O-Rings	2	364-0432-457	2	364-0454-457	2	364-0438-457
Lifting Eyebolt	—	—	1	100-0107-080	2	100-0110-080
FLUSH LINES:						
Compression Elbows	4	868-3660-190	4	868-3660-190	4	868-3660-190
Tubing	24	872-0124-175	24	872-0124-175	24	872-0124-175
Ball Valves	2	896-4533-644	2	896-4533-644	2	896-4533-644

5900F REPAIR PARTS LIST

PC.NO.	PART DESCRIPTION	5-5922F		6-5922F	
		QTY	PART NUMBER	QTY	PART NUMBER
1	Impeller	—	—	—	—
A1	1st Stage	1	443-7028-644	1	444-7012-225
B1	2nd Stage	1	443-7029-644	1	444-7013-225
2	Part of No. 3	—	—	—	—
3	Casing Assembly	125# / 125#	189-0109-010	—	—
		125# / 250#	189-0035-010	1	189-0018-010
		250# / 250#	189-0104-010	1	189-0095-010
4	Shaft				
	For Right-Hand Rotation	1	727-7019-072	1	727-7012-072
	For Left-Hand Rotation	1	727-7045-072	1	727-7013-072
6	Part of No. 3	—	—	—	—
10	Lantern Rings	1	676-7010-509	2	676-7025-509
13	Oil Ring	—	—	—	—
14	Shaft Sleeves	—	—	—	—
	Right-Hand	1	756-7018-208	1	756-7011-208
	Left-Hand	1	756-7019-208	1	756-7012-208
16	Case Wear Rings	2	676-7035-208	2	676-7026-208
17	Impeller Wear Rings (Optional)	2	676-7034-208	—	—
18	Shaft Collar	—	—	—	—
19	Packing Glands	2	372-7033-104	2	372-7008-104
20	Shaft Sleeve O-Ring	4	364-0432-457	2	364-0484-457
20A	Bearing Housing Cover O-Ring	—	—	—	—
39	Casing Diaphragm	—	See next page *	—	See next page *
48	Casing Diaphragm Bushing	—	See next page *	—	See next page *
76	Bearing Housing Spacer	—	—	—	—
95	Stuffing Box Washers	2	908-7006-208	2	908-7030-208
102	Impeller Key	1	472-7014-087	1	472-7010-087
118	Thrust Bearing Cartridge Closure	1	624-7004-087	1	624-7004-087
126	Water Slingers	—	—	2	764-7005-478
157	Casing Gasket	1	364-7024-463	1	364-7014-463
158A	Grease Seal	1	712-7004-653	—	—
158B	Bearing Cartridge Pin	2	592-7002-087	2	592-7002-087
A158	Thrust Bearing Cartridge	1	176-7017-010	1	176-7018-010
B158	Radial Bearing Cartridge	1	176-7024-010	1	176-7019-010
B158A	Oil Ring Restrainer	—	—	—	—
B158B	Cooling Coil	—	—	—	—
B158C	Oil Ring Restrainer Lock Collar	—	—	—	—
159	Bearing Housing Covers	2	164-7020-010	2	164-7014-010
159A	Grease Seal	2	712-7007-653	—	—
A159	Thrust Bearing Housing Outer Cover	—	—	—	—
B159	Thrust Bearing Housing Inner Cover	—	—	—	—
C159	Radial Bearing Housing Cover	—	—	—	—
161	Bearing Locknut	1	544-0710-080	1	544-0713-080
162	Bearing Lockwasher	1	908-0410-080	1	908-0413-080
163	Radial Bearing	1	068-0160-647	1	068-0163-647
168	Thrust Bearing	1	068-0508-647	2	068-0312-647
168A	Retaining Ring	1	676-7023-088	—	—
188	Center Sleeve Adapter Spacer	—	—	—	—
205	Thrust Bearing Housing Gasket	—	—	—	—
	Thrust Bearing Housing Gasket	—	—	—	—
212	Packing	16	564-7001-802	18	564-0184-802

5900F REPAIR PARTS LIST

PC.NO.	PART DESCRIPTION	5-5922F		6-5922F	
		QTY	PART NUMBER	QTY	PART NUMBER
213	Sleeve Nuts	—	—	—	—
	Right-Hand	1	544-7008-208	—	—
	Left-Hand	1	544-7009-208	—	—
272	Coupling Key	1	472-7015-087	1	472-7009-087
*	Casing Diaphragm Assembly	1	772-7004-644	1	772-7002-644
	Casing Diaphragm	1	772-7004-010	1	772-7002-010
	Casing Diaphragm Bushing	1	136-7003-208	1	136-7001-208
	Setscrew	1	724-0081-104	1	724-0079-104
MISCELLANEOUS PARTS NOT LABELED					
	Impeller Hub Gasket	1	364-7026-463	1	364-7016-463
	Sleeve Gasket	2	364-7025-463	2	364-7015-463
	Bearing Spacer	—	—	2	772-7001-063
	Bearing Lock Collar	—	—	2	224-7000-208
CAPSCREWS FOR:					
	Casing (Parting Flange)	16	168-0825-082	26	168-0753-082
	Studs	2	808-7003-080	—	—
	Nuts	2	544-0123-082	—	—
	Casing (Stuffing Box)	4	168-0680-082	4	168-0684-082
	Bearing Cap (No. 6)	4	168-0578-082	4	168-0755-082
	Bearing Housing Covers	8	168-0322-082	8	168-0382-082
PINS FOR:					
	Casing (Parting Flange)	2	592-7008-087	2	592-7004-087
	Case Wear Rings	2	592-0028-087	2	592-7002-087
PIPE PLUGS FOR:					
	Top of Stages	2	600-0005-028	—	—
	Bearing Arm Drains	2	600-0004-028	2	600-0004-028
	Top of Casing Volute	1	600-0004-028	1	600-0005-028
	Top of Discharge Neck	1	600-0004-028	—	—
	Side of Discharge Neck	2	600-0006-028	1	600-0006-028
		—	—	2	600-0002-087
	Bottom of Discharge Neck	—	—	—	—
	Stuffing Box	1	600-0004-028	1	600-0004-028
GLAND FASTENERS:					
	Swingbolts or Studs	4	100-7002-360	4	100-7002-360
	Washers	4	908-0116-080	4	908-0116-080
	Nuts	4	544-0115-190	4	544-0115-190
	Grease Fittings	2	508-0001-651	2	508-0001-651
	Lifting Eyebolt	1	100-0107-080	1	100-0107-080
CASING DRAIN PIPING:					
	Nipple	1	600-1310-387	1	600-1310-387
	Elbow	1	600-0231-387	1	600-0231-387
	Nipple	1	600-1328-387	1	600-1328-387
	Pipe Cap	1	600-0156-387	1	600-0156-387
FLUSH LINE:					
	Compression Elbows	2	868-3660-190	2	868-3660-190
	Tubing	12	872-0124-175	12	872-0124-175
	Ball Valve	1	896-4533-644	1	896-4533-644
	Hinged Oil Hole Cover	—	—	—	—
	Oil Ring Arm Retainer	—	—	—	—

REPAIR KITS, OVERHAUL KITS & ROTATING ELEMENTS

MODEL	PUMP SIZE	REPAIR KIT	OVERHAUL KIT	ROTATING ELEMENT
2800F	3-2874AF	476-0946-644	476-0974-644	700-0708-644
	3-2874CF			700-0709-644
	4-2873AF	476-0947-644	476-0975-644	700-0710-644
	4-2876AF	476-0948-644	476-0976-644	700-0711-644
	4-2876CF			700-0712-644
	4-2823CF	476-0949-644	476-0977-644	700-0713-644
	5-2823AF	476-0950-644	476-0978-644	700-0714-644
	5-2824AF	476-0951-644	476-0979-644	700-0715-644
	6-2876AF	476-0952-644	476-0980-644	700-0716-644
	6-2876BF			700-0951-483
	6-2823AF	476-0953-644	476-0981-644	700-0717-644
	6-2823CF			700-0718-644
	6-2824CF	476-0954-644	476-0982-644	700-0719-644
	6-2825AF	476-0955-644	476-0983-644	700-0720-644
	8-2823AF	476-0956-644	476-0984-644	700-0721-644
	8-2824AF	476-0957-644	476-0985-644	700-0722-644
	10-2825AF	476-0958-644	476-0986-644	700-0723-644
	5800F	3-5876AF	476-0920-644	476-0921-644
4-5823F		476-0959-644	476-0987-644	700-0724-644
4-5824F		476-0960-644	476-0988-644	700-0725-644
5-5876F		476-0961-644	476-0989-644	700-0726-644
6-5876F		476-0963-644	476-0991-644	700-0729-644
6-5823F		476-0964-644	476-0992-644	700-0730-644
6-5824F		476-0965-644	476-0993-644	700-0731-644
8-5826F		476-0968-644	476-0996-644	700-0735-644
10-5824F	476-0969-644	476-0997-644	700-0736-644	
5900F	5-5922F (RH only)	476-0970-644	476-0998-644	700-0737-644
	5-5922F (LH only)			700-0738-644
	6-5922F (RH only)	476-0971-644	476-0999-644	700-0739-644
	6-5922F (LH only)			700-0740-644

REPAIR KITS TYPICALLY INCLUDE:

- Casing Gasket
- Gland Fasteners
- Packing Rings
- Lantern Rings
- Bearings
- Retaining Rings
- Water Slingers
- Coupling Key

OVERHAUL KITS TYPICALLY INCLUDE:

- Casing Gasket
- Gland Fasteners
- Packing Rings
- Lantern Rings
- Bearings
- Retaining Rings
- Water Slingers
- Coupling Key
- Shaft Sleeves
- Shaft Sleeve Nuts
- Shaft Sleeve Nut Setscrews
- Shaft Sleeve O-rings
- Packing Gland
- Packing Box Washer
- Impeller Key

STANDARD LIMITED WARRANTY

Seller warrants equipment (and its component parts) of its own manufacture against defects in materials and workmanship under normal use and service for one (1) year from the date of installation or start-up, or for eighteen (18) months after the date of shipment, whichever occurs first. Seller does not warrant accessories or components that are not manufactured by Seller; however, to the extent possible, Seller agrees to assign to Buyer its rights under the original manufacturer's warranty, without recourse to Seller. Buyer must give Seller notice in writing of any alleged defect covered by this warranty (together with all identifying details, including the serial number, the type of equipment, and the date of purchase) within thirty (30) days of the discovery of such defect during the warranty period. No claim made more than 30 days after the expiration of the warranty period shall be valid. Guarantees of performance and warranties are based on the use of original equipment manufactured (OEM) replacement parts. Seller assumes no responsibility or liability if alterations, non-authorized design modifications and/or non-OEM replacement parts are incorporated. If requested by Seller, any equipment (or its component parts) must be promptly returned to Seller prior to any attempted repair, or sent to an authorized service station designated by Seller, and Buyer shall prepay all shipping expenses. Seller shall not be liable for any loss or damage to goods in transit, nor will any warranty claim be valid unless the returned goods are received intact and undamaged as a result of shipment. Repaired or replaced material returned to customer will be shipped F.O.B., Seller's factory. Seller will not give Buyer credit for parts or equipment returned to Seller, and will not accept delivery of any such parts or equipment, unless Buyer has obtained Seller's approval in writing. The warranty extends to repaired or replaced parts of Seller's manufacture for ninety (90) days or for the remainder of the original warranty period applicable to the equipment or parts being repaired or replaced, whichever is greater. This warranty applies to the repaired or replaced part and is not extended to the product or any other component of the product being repaired. Repair parts of its own manufacture sold after the original warranty period are warranted for a period of one (1) year from shipment against defects in materials and workmanship under normal use and service. This warranty applies to the replacement part only and is not extended to the product or any other component of the product being repaired. Seller may substitute new equipment or improve part(s) of any equipment judged defective without further liability. All repairs or services performed by Seller, which are not covered by this warranty, will be charged in accordance with Seller's standard prices then in effect.

THIS WARRANTY IS THE SOLE WARRANTY OF SELLER AND SELLER HEREBY EXPRESSLY DISCLAIMS AND BUYER WAIVES ALL OTHER WARRANTIES EXPRESSED, IMPLIED IN LAW OR IMPLIED IN FACT, INCLUDING ANY WARRANTIES OF MERCHANTABILITY OR FITNESS FOR A PARTICULAR PURPOSE. Seller's sole obligation under this warranty shall be, at its option, to repair or replace any equipment (or its component parts) which has a defect covered by this warranty, or to refund the purchase price of such equipment or part. Under the terms of this warranty, Seller shall not be liable for (a) consequential, collateral, special or liquidated losses or damages; (b) equipment conditions caused by normal wear and tear, abnormal conditions of use, accident, neglect, or misuse of said equipment; (c) the expense of, and loss or damage caused by, repairs or alterations made by anyone other than the Seller; (d) damage caused by abrasive materials, chemicals, scale deposits, corrosion, lightning, improper voltage, mishandling, or other similar conditions; (e) any loss, damage, or expense relating to or resulting from installation, removal or reinstallation of equipment; (f) any labor costs or charges incurred in repairing or replacing defective equipment or parts, including the cost of reinstalling parts that are repaired or replaced by Seller; (g) any expense of shipment of equipment or repaired or replacement parts; or (h) any other loss, damage or expense of any nature.

The above warranty shall not apply to any equipment which may be separately covered by any alternate or special warranties.

PERFORMANCE: In the absence of Certified Pump Performance Tests, equipment performance is not warranted or guaranteed.

Performance curves and other information submitted to Buyer are approximate and no warranty or guarantee shall be deemed to arise as a result of such submittal. All testing shall be done in accordance with Seller's standard policy under Hydraulic Institute procedures.

LIABILITY LIMITATIONS: Under no circumstances shall the Seller have any liability under the Order or otherwise for liquidated damages or for collateral, consequential or special damages or for loss of profits, or for actual losses or for loss of production or progress of construction, regardless of the cause of such damages or losses. In any event, Seller's aggregate total liability under the Order or otherwise shall not exceed the contract price.

ACTS OF GOD: Seller shall in no event be liable for delays in delivery of the equipment or other failures to perform caused by fires, acts of God, strikes, labor difficulties, acts of governmental or military authorities, delays in transportation or procuring materials, or causes of any kind beyond Seller's control.

COMPLIANCE WITH LAW: Seller agrees to comply with all United States laws and regulations applicable to the manufacturing of the subject equipment. Such compliance shall include: The Fair Labor Standards Acts of 1938, as amended; Equal Employment Opportunity clauses of Executive Order 11246, as amended; Occupational Safety and Health Act of 1970 and the standards promulgated thereunder, if applicable. Since compliance with the various Federal, State, and Local laws and regulations concerning occupational health and safety, pollution or local codes are affected by the use, installation and operation of the equipment and other matters over which Seller has no control, Seller assumes no responsibility for compliance with those laws and regulations, whether by way of indemnity, warranty, or otherwise. It is incumbent upon the Buyer to specify equipment which complies with local codes and ordinances.

NOTES PAGE



3601 Fairbanks Ave. | Kansas City, KS 66106 | PH: 913.371.5000 | pentair.com/fairbanks-nijhuis

All indicated Pentair trademarks and logos are property of Pentair. Third party registered and unregistered trademarks and logos are the property of their respective owners.

©2023 Pentair. All Rights Reserved.

FMF-03-327(12-06-23)