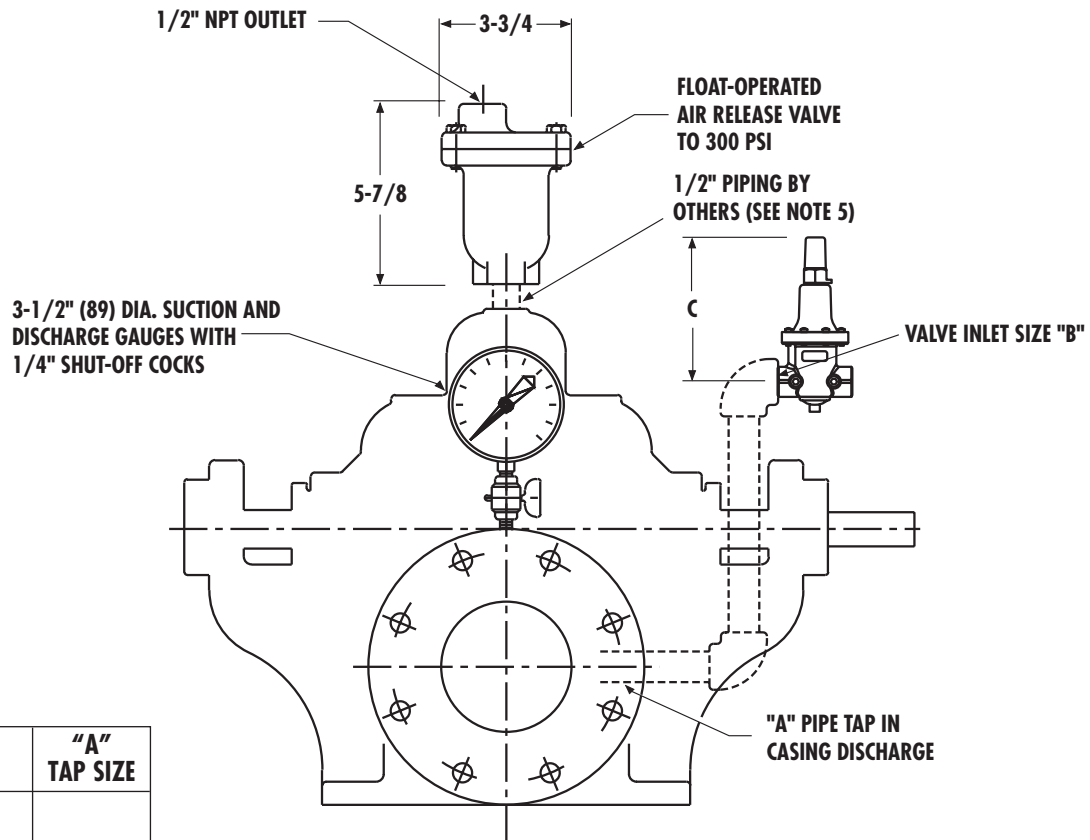


STANDARD FIRE PUMP ACCESSORIES

Date **July 2018**

Supersedes Section 916 Page 201

Dated April 2006



PIPE SIZE	"A" TAP SIZE
2.5" 1823F	1-1/4"
3" 1824F	
4" 1823F	
4" 1824F	
5" 1822F	
5" 1823F	
5" 1824F	
6" 1822F	
6" 1822HHF	
6" 1823HHF	
6" 1823F	
6" 1824F	
6" 1825F	
8" 1822F	
8" 1825F	
8" 1826F	
10" 1823F	2"
10" 1824DF	
8" 1824F	
10" 1824F	3/4"
12" 1824F	
ALL VERTICAL (1840) MODELS	1-1/4"
ALL 2-STAGE (1920) MODELS	
2800/5800 MODELS	
	3/4"

CASING RELIEF VALVE

SYSTEM GPM	VALVE INLET SIZE - "B"	"C"	
		psi	psi
250	3/4"	175 psi	300 psi
500			
750			
1000			
1250	6-3/4" (131)		9-1/4" (235)
1500			
2000			
2500	1"		8-1/2" (216)
3000			
3500			
4000			

NOTES:

1. Dimensions are in inches (mm) and may vary ± 1/4" (6).
2. Accessories shown are shipped loose for field installation.
3. Casing relief valve is to be adjusted to appropriate pressure upon field installation
4. Casing relief valve is furnished on electric motor driven units only.
5. Two stage pumps require both vent taps piped to air release valve.
6. Suction gauge range is 30"-0-150 PSI for suction pressures up to 75 PSI, or 30"-0-300 PSI for suction pressures over 75 PSI.
7. Discharge gauge range is 0-300 PSI for pumps with rated discharge pressures up to 150 PSI, or 0-600 PSI for pumps with rated discharge pressures over 150 PSI.

