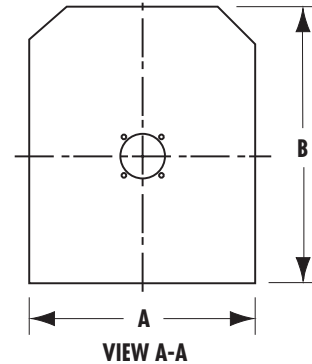
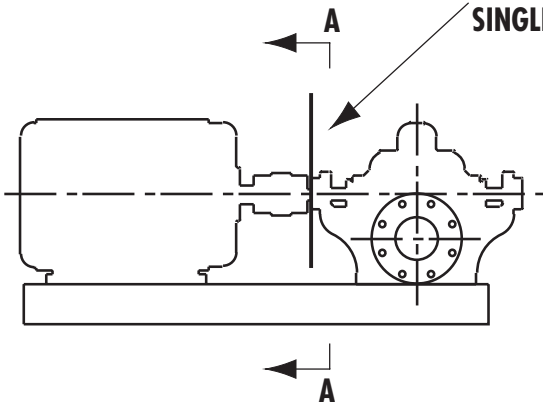


FAIRBANKS NIJHUIS™ FIRE PUMPS

OPTION 78 - SPLASH PARTITION

SPLASH PARTITION FOR HORIZONTAL SINGLE & MULTI-STAGE FIRE PUMPS

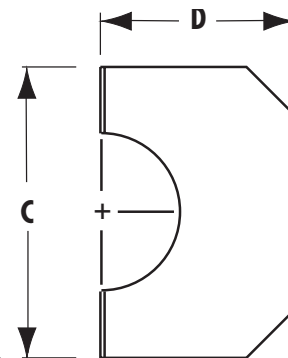
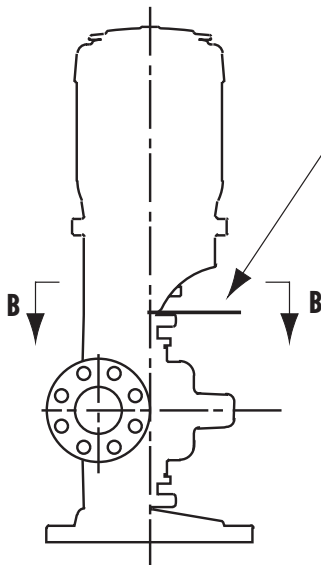


PUMP SIZE	2" 1823F 3" 1824F	4" 1823F	4" 1824F 4" 1922F	5" 1822F 5" 1823F 5" 1922F 5" 1804F 6" 1822F 6" 1822HHF	6" 1823F	6" 1823HHF 6" 1824F 6" 1825F 6" 1922F 8" 1822F 8" 1824F 8" 1825F	10" 1823F 10" 1824F 10" 1824DF 12" 1824F
	A	12 (305)	12 (305)	14 (356)	14 (356)	18 (457)	18 (457)
B	16-3/4 (425)	19-3/4 (502)	20-3/4 (527)	22-1/4 (565)	26-1/4 (667)	27-1/2 (699)	36-3/4 (933)

NOTES:

1. Dimensions are in inches (mm) and may vary $\pm 1/4$ (6) inch.
2. Splash partitions are not available for diesel engine driven units.

SPLASH PARTITION FOR VERTICAL SINGLE STAGE FIRE PUMPS



PUMP SIZE	2.5" 1843F 3" 1844F	4" 1843F 4" 1844F 5" 1842F 5" 1843F 5" 1844F 6" 1842F	6" 1843F 6" 1844F 6" 1845F 8" 1842F 8" 1844F
	C	12 (305)	14 (356)
D	8 (203)	10 (254)	13 (330)