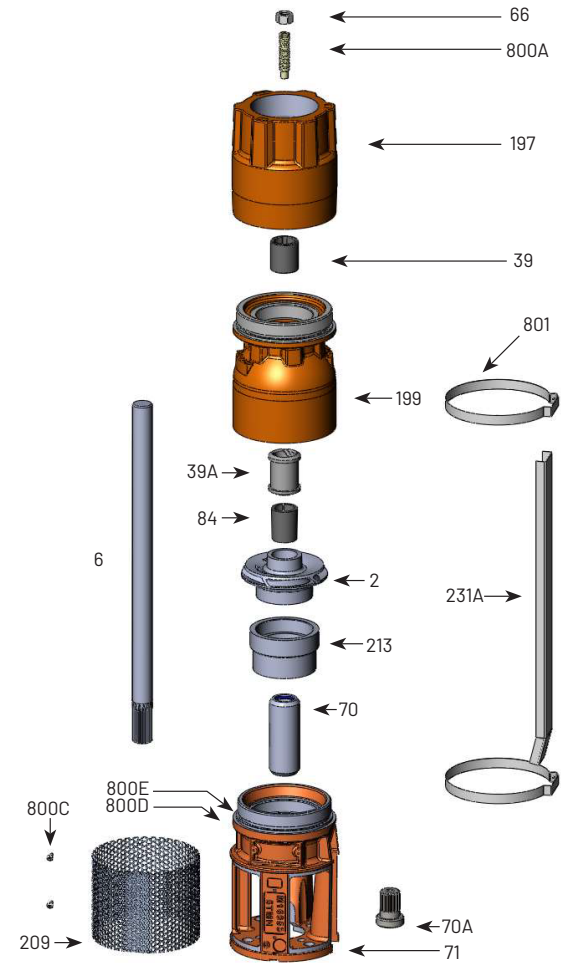


Submersible Turbines	
Section	ST-5TMH
Page	1.0
Date	February 4, 2021
Supersedes	June 4, 2018



Trim	"D" Diameter inches (mm)	"H" Height inches (mm)	∠
"A"	4.275 (108.6)	1.15 (29.2)	24°
"B"	3.793 (96.4)	1.08 (27.4)	24°

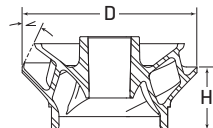


Table 4 – 60Hz Staging Requirements Build Table

Series(5)	HP / Kw	Stages	Qty of Each Trim			416 ss shaft(6)		Ion-nitride shaft(6)			Cable Guard Length(7) in / (mm)	Assembled pump length (motor not included) in / (mm)
			A trim	C trim	D trim	Pump Catalog Number	Shaft p/n	Pump Catalog Number	Shaft p/n	Shaft Length in / (mm)		
5TMH5-250	5 / 3.7	1	1	-	-	B86552	M16218	B86552N	M16232	12.5 / (317.5)	9 / (228.6)	17.83 / (452.9)
5TMH7.5-250	7.5 / 5.6	2	1	-	1	B86553	M16219	B86553N	M16233	19 / (482.6)	15.5 / (393.7)	24.33 / (618)
5TMH10-250	10 / 7.5	2	2	-	-	B86554	M16219	B86554N	M16233	19 / (482.6)	15.5 / (393.7)	24.33 / (618)
5TMH15-250	15 / 11.2	3	3	-	-	B86555	M16222	B86555N	M16234	25.5 / (647.7)	22 / (558.8)	30.83 / (783.1)
5TMH20-250	20 / 14.9	5	3	2	-	B86843	M16222	B86843N	M16236	38.5 / (978)	35 / (889)	43.83 / (1113.3)
5TMH25-250	25 / 18.6	6	5	1	-	B86844	M16223	B86844N	M16237	45 / (1143)	41.5 / (1054.1)	50.33 / (1278.4)
5TMH30-250	30 / 22.4	7	7	-	-	B86845	M16224	B86845N	M16238	51.5 / (1308.1)	48 / (1219.2)	56.83 / (1443.5)
5TMH40-250	40 / 29.8	10	7	2	1	B86846	M16227	B86846N	M16241	71 / (1803.4)	67.5 / (1714.5)	76.33 / (1938.8)
5TMH50-250	50 / 37.3	12	11	-	1	B86847	M16228	B86847N	M16242	84 / (2133.6)	80.5 / (2044.7)	89.33 / (2269)
5TMH60-250	60 / 44.7	14	14	-	-	B86848	M16608	B86848N	M16614	97 / (2463.8)	93.5 / (2374.9)	102.33 / (2599.2)

(5) = effective assembled pump diameter, with cable guard lying flat against pump, is 5.625" (143 mm)
 (6) = for both 4" and 6" motors, the same shaft and cable guards are used
 (7) = Cable Guard p/n 308666000 is sold in 12' (3.66m) lengths only

TABLE 1 - 5TMH-250 Common Parts Group

Item Number	Part Number	Description	Material	Material Reference	Required Qty (per stage)
2	See Table 3	Impeller	316 stainless steel	AISI 316 UNS S31600	1
6	See Table 4	Shaft	416 stainless steel	AISI 416 UNS S41600	1
39	M15686	Top Bearing	Vesconite		1
39A	S13636	Bowl Bearing	Rubber	Neoprene	1
66	M15881	Upthrust Nut, 1/2-13 LH			1
70	B86966	6" Motor Coupling	416 stainless steel	AISI 416 UNS S41600	1
70A	M15847	4" Motor Coupling	416 stainless steel	AISI 416 UNS S41600	1
71	M16053	Motor Suction Bracket(1)	ductile iron	ASTM A536-84 64-45-12	1
84	S05301	Collet, 1"	steel	AISI 1226	1
199	B86511	Bowl, with bearing	class 30 grey iron	ASTM A48 Class 30	1
197	M16055	Discharge adapter(2)	ductile iron	ASTM A536-84 64-45-12	1
209	M16056	Suction Screen	302 stainless steel	AISI 302 UNS S30400	1
213	M16274	Intake adapter insert(3)			1
231A	308666000	Cable guard	302 stainless steel	AISI 302 UNS S30200	see Table 4
800A	M15882	Upthrust Screw, 1/2-13 LH			1
800C	M15937	Suction Screen Screw, 8-32 x 3/8 PH			2
801	M15878	Cable guard clamp			2
Not illustrated	B86187	Bolt Kit, 6" motor			1
Not illustrated	M15847	Adapter Kit, 4" motor			1

B87175 - Literature Package:

Not illustrated	BE972	Owner's manual			1
Not illustrated	M09970	Tag, Upthrust Adjustment			1
800D	M10199	Rivet, 3/32			2
800E	M12165PNR	Nameplate			1
Not illustrated	M13517	Label, Arrow, Rotation Direction			1
Not illustrated	U27-490	Decal, Berkeley Oval Blue/White			1
Not illustrated	S14447	Label, Pressure Warning			1
Not illustrated	U27-2440	Label, Prop 65 Compliance			2

(1) = motor bracket is dual-machined for 4" and 6" motors
 (2) = discharge adapter assembly (p/n B86418) includes items 39, 66, 197, and 800A
 (3) = motor suction bracket assembly (p/n B86510) includes items 71 and 213

TABLE 2 - Additional Staging

Item Number	Part Number	Description	Material	Material Reference	Required Qty (per stage)
39A	S13636	Bowl Bearing	Rubber	Neoprene	1
	S10708	Bowl Bearing (optional)(4)	Bronze		1
199	B86511	Bowl, with bearing	class 30 grey iron	ASTM A48 Class 30	1
84	S05301	Collet, 1"	steel	AISI 1226	1
2	See Table 3	Impeller	316 stainless steel	AISI 316 UNS S31600	1

(4) = bronze bearing may be used in place of the standard Neoprene bearing

TABLE 3 - Impeller Information

Item Number	Part Number	Description / Diameter (D)	Height (H)	Angle ()	"Required Qty (per stage)"
2	M16041	"A" impeller, 4.22" (107.2mm)	1.85" (47mm)	30.8°	See Table 4
	M16597	"C" impeller, 4.05" (102.9mm)	1.75" (44.5mm)	30.8°	
	M16598	"D" impeller, 3.90" (99.1mm)	1.65" (41.9mm)	30.8°	