

MULTI-STAGE IRRIGATION PUMPS

SSHM-2 MODEL

Berkeley SSHM-2 Model Multi-Stage Irrigation Pumps deliver high-performance without priming problems and delays. They are designed for minimal electrical consumption and quiet operation from the professional-grade motor. The series offers first-in-class priming capabilities of up to 15 foot lifts.

APPLICATIONS

Residential and commercial turf irrigation, residential water systems, shower and washing systems, water transfer, heating and air conditioning systems, and water features and fountains.

FEATURES

- ◆ **Self-Priming Design:** Once initially primed, the SSHM-2 remains primed cycle after cycle with check valve.
- ◆ **Stainless Steel Outer Shell:** Polished 304 stainless steel shell.
- ◆ **Cast Iron Suction Inlet:** 1-1/2" suction connection, heavy-duty durable cast iron suction bracket.



- ◆ **Cast Iron Motor Bracket and Integral Pedestal:** 1-1/4" discharge connection with easy-access drain port for end of season draining, heavy-duty stable design for rigid pipe connections and solid base mounting.

SPECIFICATIONS

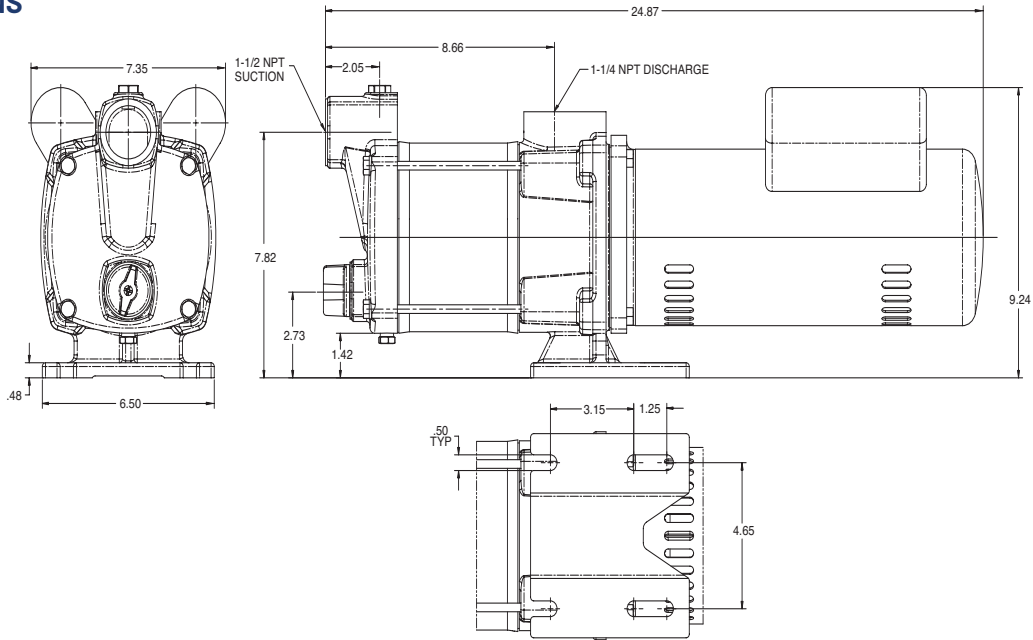
- ◆ **Motor:** 2 HP, single-phase, 3450 RPM, 230-volt, high-service factor, capacitor-start/capacitor-run, open drip-proof motor, rated for continuous-duty operation. 230/460 TEFC available.
- ◆ **Impellers and Diffusers:** Noryl® precision-molded extra-smooth ports to maximize efficiency and performance.
- ◆ **Shaft:** 303 stainless steel.
- ◆ **Priming Valve:** Special brass priming valve for trouble-free operation during the initial pump priming.
- ◆ **Mechanical Seal:** High-pressure seal, carbon-ceramic seal faces, Buna-N elastomers.
- ◆ **Maximum Inlet Pressure:** 20 PSI.
- ◆ **Maximum Discharge Pressure:** 155 PSI.
- ◆ **Maximum Operating Temperature:** 120°F (49°C).
- ◆ **Maximum Suction Lift:** 15 feet.
- ◆ **Number of Stages:** 3 or 4.

ORDERING INFORMATION

CATALOG #	STAGES	HP	PIPE TAPPING SIZE		MOTOR VOLTAGE	APPROX. WT. LBS.
			SUCTION	DISCHARGE		
B86073	3	2	1-1/2" NPT	1-1/4" NPT	230 1ø	95
B86074	3	2	1-1/2" NPT	1-1/4" NPT	230/460 TEFC	95
B82456-01	4	2	1-1/2" NPT	1-1/4" NPT	230 1ø	95
B82639	4	2	1-1/2" NPT	1-1/4" NPT	230/460 TEFC	95

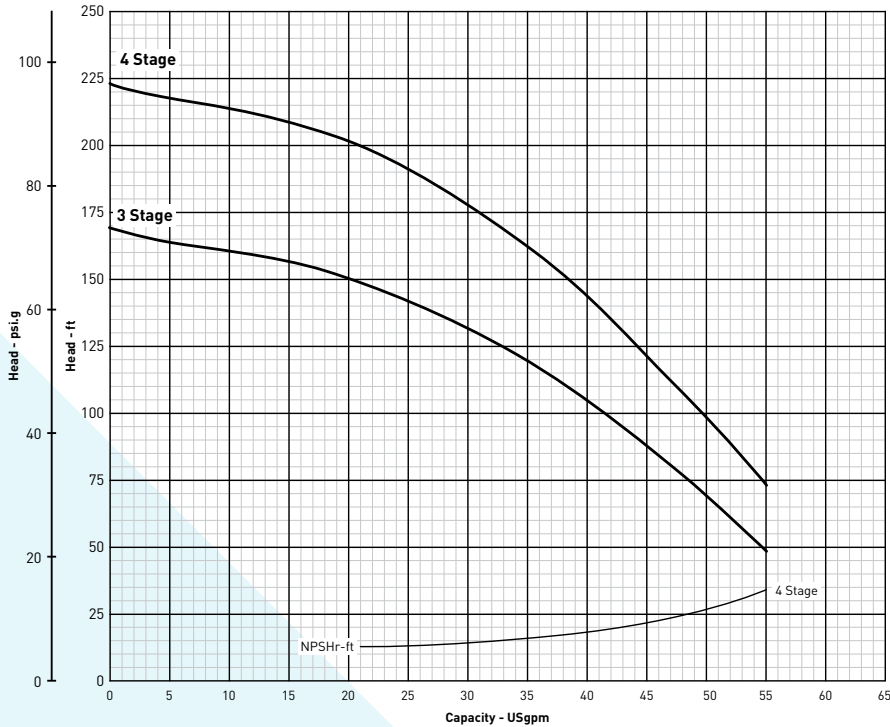
MULTI-STAGE STAGE IRRIGATION PUMPS SSHM-2 MODEL

DIMENSIONS



PUMP PERFORMANCE

Nominal RPM: 3450
 Based on Fresh Water @ 68 deg. F.
 Maximum Working Pressure: 175 PSI



293 Wright St
 Delavan, WI 53115
 Ph: 888.987.8677
 Fx: 800.426.9446

490 Pinebush Rd, Unit 4
 Cambridge, Ontario N1T 0A5, Canada
 Ph: 800.363.7867
 Fx: 888.606.5484

pentair.com

All indicated Pentair trademarks and logos are property of Pentair. Third party registered and unregistered trademarks and logos are the property of their respective owners. Because we are continuously improving our products and services, Pentair reserves the right to change specifications without prior notice. Pentair is an equal opportunity employer.

©2023 Pentair. All Rights Reserved.

B2094BK (04-15-23)