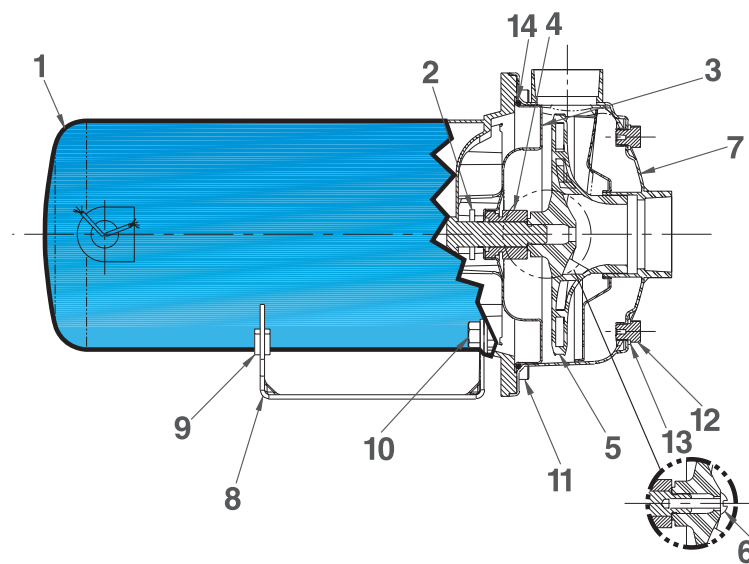


304 S.S. / 304 S.S. IMPELLER DURABLE LONGLIFE CONSTRUCTION

Item No.	Description	Material
1	Motor	
2	Water Slinger	Neoprene
3	Seal Plate	AISI 304 S.S.
5	Impeller	AISI 304 S.S.
6	Impeller Locking Screw	18-8 S.S. (3 Phase Only)
7	Casing	AISI 304 S.S.
8	Base	Powder Painted Steel
9	Isolator	Natural Rubber
10	Socket Head Capscrew	AISI 304 S.S.
11	Socket Head Capscrew	18-8 S.S.
12	Vent/Drain Plug (Top & Bottom)	AISI 304 S.S.
13	Gasket (Top & Bottom)	Teflon®
14	O-Ring	Viton

Seal Option	Crane Type	Rotary	Stationary	Elastomer	Metal Parts
2	2100	Carbon	Ceramic	Viton	18-8 S.S.
3	2100	Carbon	Silicon-Carbide	Viton	18-8 S.S.
4	2100	Silicon-Carbide	Silicon-Carbide	Viton	18-8 S.S.



Item No.	Description	Material
1	Motor	
2	Water Slinger	Neoprene
3	Seal Plate	AISI 304 S.S.
5	Impeller	Noryl®/AISI 316 S.S.
6	Impeller Locking Screw	18-8 S.S. (3 Phase Only)
7	Casing	AISI 304 S.S.
8	Base	Powder Painted Steel
9	Isolator	Natural Rubber
10	Socket Head Capscrew	AISI 304 S.S.
11	Socket Head Capscrew	18-8 S.S.
12	Vent/Drain Plug (Top & Bottom)	AISI 304 S.S.
13	Gasket (Top & Bottom)	Teflon
14	O-Ring	Buna-N

Seal Option	Crane Type	Rotary	Stationary	Elastomer	Metal Parts
1	6	Carbon	Ceramic	Buna-N	18-8 S.S.
2	2100	Carbon	Ceramic	Viton	18-8 S.S.
3	2100	Carbon	Silicon-Carbide	Viton	18-8 S.S.
4	2100	Silicon-Carbide	Silicon-Carbide	Viton	18-8 S.S.

SSCX SERIES CENTRIFUGAL PUMPS

CHEMICAL COMPATIBILITY

Chemical Name	Concentration	Temperature Degree F°	Noryl®	304 SS	Buna	Viton
Acetic Acid	10%	78	A	A	B	A
	10%	185	A	A	B	B
	90%	78	A	A	D	B
	90%	185	A	A	D	D
Ammonia	78	78	A	A	D	A
	10%	78	A	A	A	A
Ammonium Hydroxide	10%	185	A	A	A	A
	Sat.	78	A	A	A	A
Ammonium Phosphate	Sat.	185	A	A	A	A
	78	78	A	A	A	A
Antifreeze	185	78	A	A	A	A
	10%	78	A	A	A	A
Cascade	185	78	A	A	A	A
	10%	185	A	A	A	A
Chlorox	78	78	A	A	B	A
	185	78	A	A	B	A
Corn Oil	78	78	A	A	A	A
	185	78	A	A	A	A
Ethylene Glycol	78	78	A	A	A	A
	78	78	A	A	D	A
Isopropyl Alcohol	185	78	B	A	D	A
	78	78	A	A	D	A
Kerosene	185	78	A	A	D	A
	2%	78	A	A		
Lestoil	78	78	A	A	A	A
	78	78	A	A	A	A
Linseed Oil	78	78	A	A	A	A
	78	78	A	A	B	D
Methyl Alcohol	78	78	B	A	A	A
	185	78	B	A	A	A
White Mineral Oil	78	78	A	A	D	A
	185	78	A	A	D	A
Nitric Acid	78	78	A	A	D	A
	185	78	A	A	D	A
Oleic Acid	78	78	A	A	D	B
	60%	78	A	A	D	A
Phosphoric Acid	Sat.	185	A	A	A	A
	Sat.	78	A	A	A	A
Potassium Bicarbonate	Sat.	185	A	A	A	A
	50%	78	A	A	B	B
Potassium Hydroxide	50%	185	A	A	B	B
	78	78	A	A	A	A
Silicon	185	78	A	A	A	A
	Sat.	78	A	A	A	A
Sodium Bicarbonate	Sat.	185	A	A	A	A
	Sat.	78	A	A	A	A
Sodium Chloride	Sat.1	85	A	B	A	A
	10%	78	A	A	B	A
Sodium Hydroxide	50%	78	A	B	D	A
	98%	78	A	A	D	A
	78	78	A	A	A	A
Transmission Fluid	185	78	A	A	A	A
	78	78	A	A	A	A
	185	78	A	A	B	A
Water	212	78	B	A	B	B

A-No Effect - Excellent B-Minor Effect - Good C-Moderate to Severe Effect D-Not Recommended

The Berkeley® difference - Everything we do shows up in the way Berkeley pump users look at us: with confidence. It's a confidence that goes from ordering to delivery to installation, on through years of trouble-free performance. It's a confidence that allows our customers to cure common pump worries and troubles with one simple phrase: Relax, it's a Berkeley.™



BEC2: a Berkeley advantage - Berkeley's Electronic Catalog puts powerful pump specification, application and installation software right at our customer's fingertips 24 hours a day, every day. For more information about BEC2, the SSCX or any other Berkeley product, contact your Berkeley distributor or a Berkeley service representative at: 1-888-BERKELEY.



The Chemical Compatibility Chart is not intended to be a complete list. For more information on additional chemical compatibilities, consult with an authorized Berkeley Customer Service Representative.

For more information, call our toll-free number or visit our website at www.berkeleypumps.com



BERKELEY® SSCX SERIES CENTRIFUGAL PUMPS



293 WRIGHT STREET, DELAVAN, WI 53115 WWW.BERKELEYPUMPS.COM
PH: 888-237-5353 ORDERS FAX: 800-321-8793

Noryl® is a registered trademark of GE. Teflon® is a registered trademark of E. I. duPont de Nemours and Co. All other brand or product names are trademarks or registered trademarks of Pentair Ltd. Because we are continuously improving our products and services, Pentair reserves the right to change specifications without prior notice.

REMARKABLE RELIABILITY

High-head performance and quiet operation join corrosion-resistant dependability with Berkeley® SSCX Series centrifugal pumps.

In addition, the SSCX Series features:

Stainless-Steel Housing and Shaft – Maximum corrosion resistance in chemical as well as water applications; smooth flow path assures quiet operation.

High-Temperature Rating – The SSCX Series centrifugal pump (with 304 SS Impeller) is designed for temperatures to 250°F, making it an ideal choice for a wide range of pump applications and varying temperature conditions. The Noryl® impeller is rated to a maximum operating temperature of 185°F.

Mechanical Shaft Seals – Choice of seal options to meet your application needs. All are precision lapped and highly polished for long life and reliability.

Impeller Options – 304 Stainless Steel or precision-molded Noryl feature ultra-smooth flow ports to maximize performance and efficiency.

Drain/Vent Ports – Priming and draining is easier, faster.

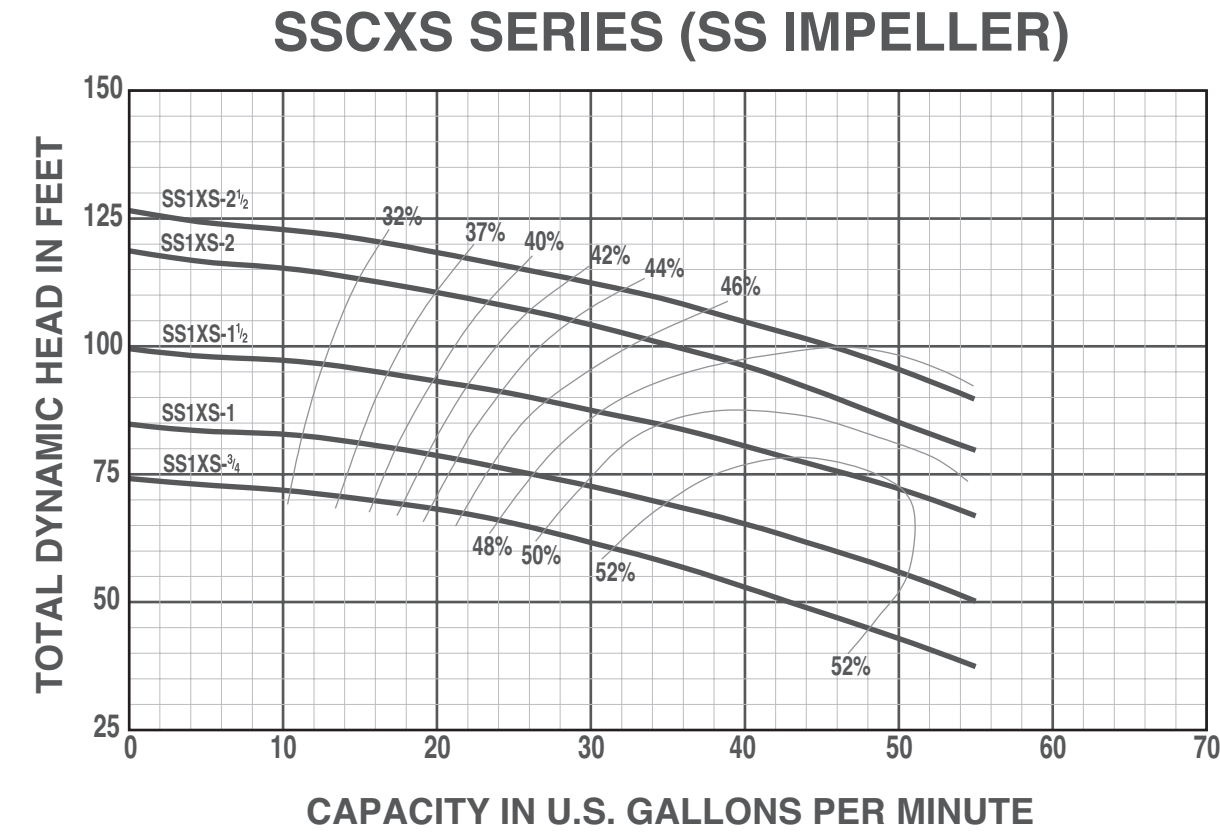


Typical Applications

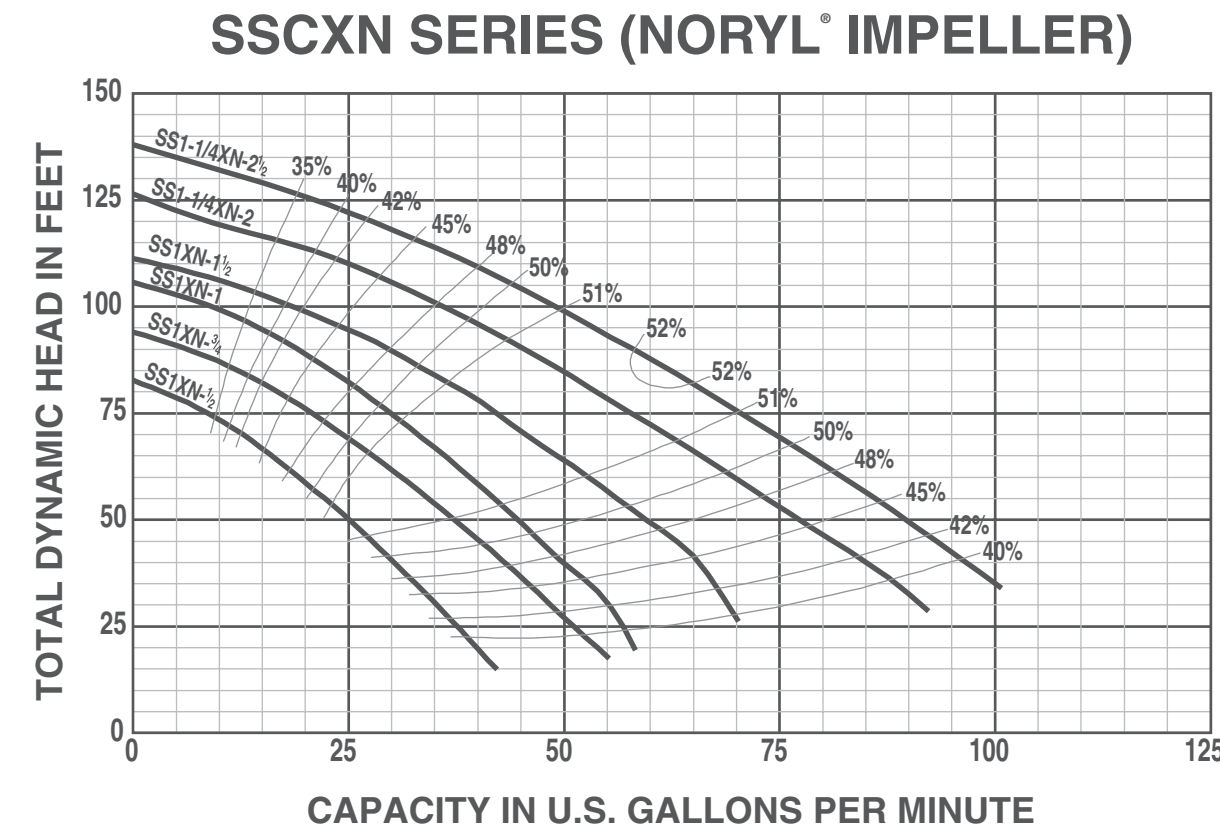
- Water Circulation
- Booster Service
- Liquid Transfer
- Spray Systems
- Jockey Pumps
- OEM Applications

REMARKABLE PERFORMANCE & VERSATILITY

304 S.S. / 304 S.S. IMPELLER



304 S.S. / NORYL IMPELLER



SS Impeller

Model Number	HP	Voltage/Phase	Enclosure	Mech. Seal (std.)	Suction Size	Discharge Size	Impeller Diameter	Motor Amps. (max.)	Lbs/Kg
SS1XS-3/4	3/4	115/230-1	ODP	2*	1-1/4"	1"	4-1/4"	14.8/7.4	25/12
		208-230/460-3						3.6/1.8	23/11
		115/230-1	TEFC	4*				14.2/7.1	37/17
		208-230/460-3						3.6/6.8	32/15
SS1XS-1	1	115/230-1	ODP	2*	1-1/4"	1"	4-9/16"	19.2/9.6	27/13
		208-230/460-3						4.7/2.35	28/14
		115/230-1	TEFC	4*				18.0/9.0	40/18
		208-230/460-3						4.8/2.4	35/16
SS1XS-1-1/2	1-1/2	115/230-1	ODP	2*	1-1/4"	1"	5"	24.0/12.0	32/15
		208-230/460-3						6.8/3.4	28/14
		115/230-1	TEFC	4*				11.7	50/23
		208-230/460-3						6.0/3.0	37/17
SS1XS-2	2	115/230-1	ODP	2*	1-1/4"	1"	5-1/2"	26.0/13.0	36/16
		208-230/460-3						8.5/4.25	31/14
		230-1	TEFC	4*				11.7	52/24
		230/460-3						7.0/3.5	46/21
SS1XS-2-1/2	2-1/2	230-1	ODP	2*	1-1/4"	1"	5-3/4"	26.0/13.0	37/17
		208-230/460-3						8.5/4.25	33/15
		230-1	TEFC	4*				11.7	55/25
		230/460-3						7.0/3.5	46/21

Noryl® Impeller

Model Number	HP	Voltage/Phase	Enclosure	Mech. Seal (std.)	Suction Size	Discharge Size	Impeller Diameter	Motor Amps. (max.)	Lbs/Kg
SS1XN-1/2	1/2	115/230-1	ODP	1*	1-1/4"	1"	4-3/4"	8.8/4.4	22/10
		208-230/460-3						2.3/1.15	26/12
		115/230-1	TEFC	1*				8.2/4.1	32/15
		208-230/460-3						2.2/1.1	29/13
SS1XN-3/4	3/4	115/230-1	ODP	1*	1-1/4"	1"	5"	12.4/6.2	25/12
		208-230/460-3						3.1/1.55	27/13
		115/230-1	TEFC	1*				11.6/5.8	37/17
		208-230/460-3						2.9/1.45	32/15
SS1XN-1	1	115/230-1	ODP	1*	1-1/4"	1"	5-1/4"	14.8/7.4	27/13
		208-230/460-3						3.6/1.8	28/13
		115/230-1	TEFC	1*				14.2/7.1	40/18
		208-230/460-3						3.6/1.8	35/16
SS1XN-1-1/2	1-1/2	115/230-1	ODP	1*	1-1/4"	1"	5-5/16"	19.2/9.6	32/15
		208-230/460-3						4.7/2.35	28/13
		115/230-1	TEFC	1*				18.0/9.0	50/23
		208-230/460-3						4.8/2.4	37/17
SS1-1/4XN-2	2	115/230-1	ODP	1*	1-1/2"	1-1/4"	5-7/8"	24.0/12.0	36/16
		208-230/460-3						6.8/3.4	31/14
		230-1	TEFC	1*				10.4	52/24
		230/460-3						6.0/3.0	46/21
SS1-1/4XN-2-1/2	2-1/2	230-1	ODP	1*	1-1/2"	1-1/4"	6-1/8"	24.0/12.0	37/17
		230/460-3						8.5/4.25	33/15
		230-1	TEFC	1*				11.7	55/25
		230/460-3						7.3/3.65	46/21