



*Indicates obsolete model.

SINGLE AND MULTISTAGE SPLIT CASE FIRE PUMPS

MODELS 481, 483, 485, 491, 492 AND 495*

DIMENSION DATA GUIDE

pentair.com/aurora

NOTE! To the installer: Please make sure you provide this manual to the owner of the equipment or to the responsible party who maintains the system.

©2023 Pentair. All Rights Reserved.

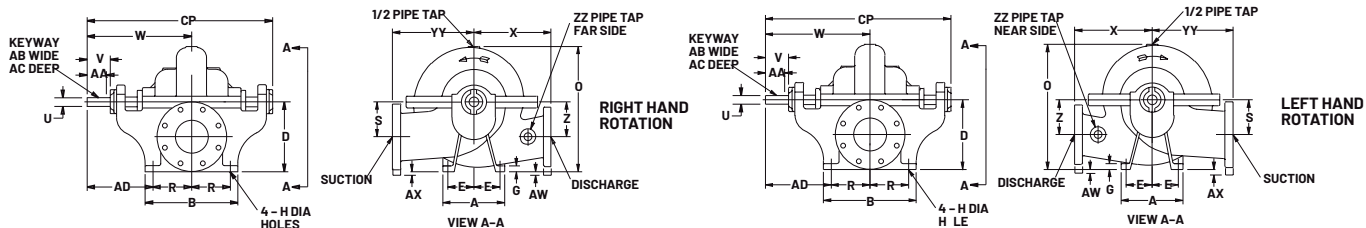
AF-01-10-912-201-274 DT (12-06-23)

TABLE OF CONTENTS

DESCRIPTION	PAGE NO.
MODEL 481 SINGLE STAGE FIRE PUMPS	3
MODEL 483 SINGLE STAGE FIRE PUMPS	4
MODEL 485 MULTISTAGE FIRE PUMPS	5
MODEL 491 SINGLE STAGE FIRE PUMPS	6
MODEL 492 SINGLE STAGE FIRE PUMPS	7
MODEL 495 MULTISTAGE FIRE PUMPS*	8
MODEL 481 ON STANDARD STEEL BASE	9
MODEL 485 ON STANDARD STEEL BASE	10
MODEL 491 ON STANDARD STEEL BASE	11
MODEL 492 ON STANDARD STEEL BASE	12
MODEL 495 ON STANDARD STEEL BASE*	13
MODEL 481 ON STEEL DRIP RIM BASE	14
MODEL 485 ON STEEL DRIP RIM BASE	15
MODEL 491 ON STEEL DRIP RIM BASE	16
MODEL 492 ON STEEL DRIP RIM BASE	17
MODEL 495 ON STEEL DRIP RIM BASE*	18

*Indicates obsolete model.

MODEL 481 SINGLE STAGE FIRE PUMPS



PUMP SIZE			SUCTION SERIES	POWER SERIES	A	B	D	E	G	H	O	R	S	U	V	W	X	Z	AA	AB	AC	AD	AW	AX	CP	YY	ZZ
DISCH	MODEL	CASE BORE																									
2-1/2	481	10B	3	2	8 (203)	10 (254)	8 (203)	3-1/2 (89)	3/4 (19)	5/8 (16)	16 (406)	4 (102)	4 (102)	1-1/8 (29)	2-7/8 (73)	13-1/2 (343)	9-3/4 (248)	4 (102)	2-1/8 (54)	1/4 (6)	1/8 (3)	9-1/2 (241)	-	-	24 (610)	10 (254)	
3	481	10 10A	4	2	8 (203)	10 (254)	9 (229)	3-1/2 (89)	3/4 (19)	5/8 (16)	16 (413)	4 (102)	4 (114)	1-1/8 (29)	2-7/8 (73)	13-1/2 (343)	10 (254)	4-1/2 (114)	2-1/8 (54)	1/4 (6)	1/8 (3)	9-1/2 (241)	-	1/2 (13)	24 (610)	11 (279)	
4	481	11A/C	5	3	10 (254)	12 (305)	10 (254)	4-1/4 (108)	7/8 (22)	3/4 (19)	18-3/8 (467)	5 (127)	5 (127)	1-3/8 (35)	3 (76)	14-1/2 (368)	11-1/4 (286)	5 (127)	2-3/8 (60)	3/8 (10)	3/16 (5)	9-1/2 (241)	-	1/2 (13)	26 (660)	12-3/4 (324)	
4	481	11D/E	5	3	10 (254)	12 (305)	10 (254)	4-1/4 (108)	7/8 (22)	3/4 (19)	18-3/8 (467)	5 (127)	5 (127)	1-3/8 (35)	3 (76)	14-1/2 (368)	12 (305)	5 (127)	2-3/8 (60)	3/8 (10)	3/16 (5)	9-1/2 (241)	-	1/2 (13)	26 (660)	12-3/4 (324)	
4	481	15	5	3	10 (254)	12 (305)	11 (279)	4-1/4 (108)	7/8 (22)	3/4 (19)	21-1/8 (537)	5 (127)	5 (140)	1-1/2 (35)	3 (76)	14-1/2 (368)	13 (330)	5-1/2 (140)	2-3/8 (60)	3/8 (10)	3/16 (5)	9-1/2 (241)	-	-	26 (660)	14 (356)	
5	481	11/11B 11C/11D	6	4	10 (254)	12 (305)	11 (279)	4-1/4 (108)	7/8 (22)	3/4 (19)	19-3/4 (502)	5 (127)	5 (140)	1-1/2 (38)	3-1/2 (89)	16 (406)	11-1/4 (286)	5-1/2 (140)	2-7/8 (73)	3/8 (10)	3/16 (5)	11 (279)	-	3/4 (19)	28-1/2 (724)	13-1/4 (337)	
5	481	15/15A 15B	6	4	10 (254)	12 (305)	12-1/2 (318)	4-1/4 (108)	7/8 (22)	3/4 (19)	22-1/2 (572)	5 (127)	6-1/4 (159)	1-1/2 (38)	3-1/2 (89)	16 (406)	13-1/4 (337)	6-1/4 (159)	2-7/8 (73)	3/8 (10)	3/16 (5)	11 (279)	-	-	28-1/2 (724)	15 (381)	
5	481	17	6	4	10 (254)	12 (305)	12-1/2 (318)	4-1/4 (108)	7/8 (22)	3/4 (19)	22-1/2 (572)	5 (127)	6-1/4 (159)	1-1/2 (38)	3-1/2 (89)	16 (406)	14 (356)	6-1/4 (159)	2-7/8 (73)	3/8 (10)	3/16 (5)	11 (279)	-	-	28-1/2 (724)	15 (381)	
6	481	11	8	4	10 (254)	12 (305)	12-1/2 (318)	4-1/4 (108)	7/8 (22)	3/4 (19)	21-7/8 (556)	5 (127)	6-1/4 (159)	1-1/2 (38)	3-1/2 (89)	16 (406)	11-3/4 (298)	6-1/4 (159)	2-7/8 (73)	3/8 (10)	3/16 (5)	11 (279)	-	1-1/4 (32)	28-1/2 (724)	14-1/2 (368)	
6	481	11HH 11HHA	8	4A	12 (305)	14-1/2 (368)	16-1/2 (419)	5 (127)	1-1/4 (32)	7/8 (22)	25-3/4 (654)	6 (152)	8-5/8 (219)	1-1/2 (38)	3-3/8 (86)	18-1/8 (460)	10 (254)	8-5/8 (219)	2-7/8 (73)	3/8 (10)	3/16 (5)	12-1/8 (308)	-	-	32-7/8 (835)	15 (381)	
6	481	14HH 14HHA 14HHB	8	5A	12 (305)	14-1/2 (368)	16-1/2 (419)	5 (127)	1-1/4 (32)	7/8 (22)	27 (686)	6 (152)	7-1/2 (191)	1-3/4 (44)	4-1/8 (105)	20-1/2 (519)	15 (381)	7-1/2 (191)	2-7/8 (73)	3/8 (10)	3/16 (5)	14-1/2 (368)	-	-	36-3/4 (933)	17 (432)	
6	481	15/15B 15C/15E	8	5	12 (305)	14 (356)	13-1/2 (343)	5 (127)	2 (5)	7/8 (22)	24-7/8 (632)	6 (152)	6-3/4 (171)	1-3/4 (44)	4 (102)	18 (457)	14-1/4 (362)	6-3/4 (171)	2-7/8 (73)	3/8 (10)	3/16 (5)	12 (305)	-	3/4 (19)	32 (813)	16-3/4 425	
6	481	18/18B 18C/18D	8	5	12 (305)	14 (356)	14-3/4 (375)	5 (127)	3/4 (19)	7/8 (22)	27-1/4 (692)	6 (152)	8 (203)	1-3/4 (44)	4 (102)	18 (457)	16 (406)	8 (203)	2-7/8 (73)	3/8 (10)	3/16 (5)	12 (305)	-	3/4 (19)	32 (813)	18 (457)	
6	481	20	8	5	12 (305)	14 (356)	14-3/4 (375)	5 (127)	2 (5)	7/8 (22)	27-3/4 (705)	6 (152)	8 (203)	1-3/4 (44)	4 (102)	18 (457)	15-3/4 (400)	8 (203)	2-7/8 (73)	3/8 (10)	3/16 (5)	12 (305)	-	3/4 (19)	32 (813)	18 (457)	
8	481	12	10	5	12 (305)	14 (356)	14-3/4 (375)	5 (127)	1-1/4 (32)	7/8 (22)	26-3/8 (670)	6 (152)	8 (203)	1-3/4 (44)	4 (102)	18 (457)	17 (432)	9 (229)	2-7/8 (73)	3/8 (10)	3/16 (5)	12 (305)	1-3/4 (44)	2 (51)	32 (813)	17-3/4 (451)	
8	481	17/17B 17C	10	5	12 (305)	14 (356)	14-3/4 (375)	5 (127)	1-1/4 (32)	7/8 (22)	27-1/8 (689)	6 (152)	8 (203)	1-3/4 (44)	4 (102)	18 (457)	17 (432)	8 (203)	2-7/8 (73)	3/8 (10)	3/16 (5)	12 (305)	3/4 (19)	2 (51)	32 (813)	17-3/4 (451)	
8	481	21 21A	10	6B	20 (508)	17 (432)	18-1/2 (470)	9 (229)	2 (5)	15/16 (24)	32-1/2 (826)	7-1/2 (191)	9-1/2 (241)	2-1/8 (54)	5-7/16 (138)	21-7/8 (556)	18 (457)	9-1/2 (241)	4-3/4 (121)	1/2 (13)	1/4 (6)	14-3/8 (365)	-	-	38 (965)	21 (533)	
8	481	24	12	7	15 (381)	22 (559)	26 (660)	6-1/2 (165)	1-1/8 (29)	7/8 (22)	43-7/8 (1114)	10 (254)	15 (381)	2-1/2 (64)	6-5/8 (168)	25-1/4 (641)	20 (508)	15 (381)	5 (127)	5/8 (16)	5/16 (8)	15-1/4 (387)	-	-	43-7/8 (1114)	25 (635)	
10	481	15 [†] 15C	12	6B	15 (381)	22 (559)	25 (635)	6-1/2 (165)	1 (25)	7/8 (22)	38-1/2 (978)	10 (254)	13-1/2 (343)	2-1/8 (54)	5-7/16 (138)	21-7/8 (556)	17 (432)	13-1/2 (343)	4-3/4 (121)	1/2 (13)	1/4 (6)	11-7/8 (301)	-	-	38 (965)	20 (508)	
10	481	18	12	6B	15 (381)	22 (559)	25 (635)	6-1/2 (165)	1 (25)	7/8 (22)	39-1/2 (1003)	10 (254)	13-1/2 (343)	2-1/8 (54)	5-7/16 (138)	21-7/8 (556)	18 (457)	13-1/2 (343)	4-3/4 (121)	1/2 (13)	1/4 (6)	11-7/8 (301)	-	-	38 (965)	22 (559)	
10	481	18D	12	7A	15 (381)	22 (559)	25 (635)	6-1/2 (165)	1-1/4 (32)	7/8 (22)	40-1/2 (1029)	10 (254)	12-1/4 (311)	2-1/8 (54)	5 (127)	24-1/4 (616)	20 (508)	12-1/4 (311)	6-5/8 (168)	1/2 (13)	1/4 (6)	14-1/4 (362)	-	-	43 (1092)	24 (610)	
12	481	18	14	7	15 (381)	22 (559)	24 (610)	6-1/2 (165)	1 (25)	7/8 (22)	40-1/8 (1019)	10 (254)	15 (381)	2-1/2 (64)	6-5/8 (168)	25-1/4 (641)	18 (457)	15 (381)	5 (127)	5/8 (16)	5/16 (8)	15-1/4 (387)	-	-	43-7/8 (1114)	23 (584)	

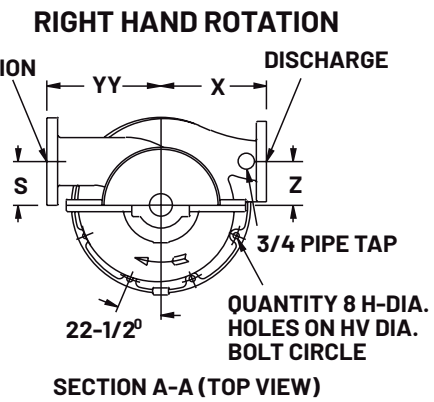
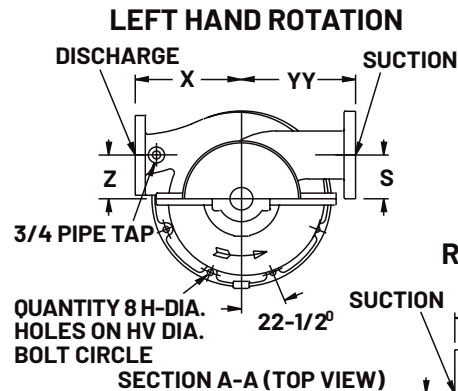
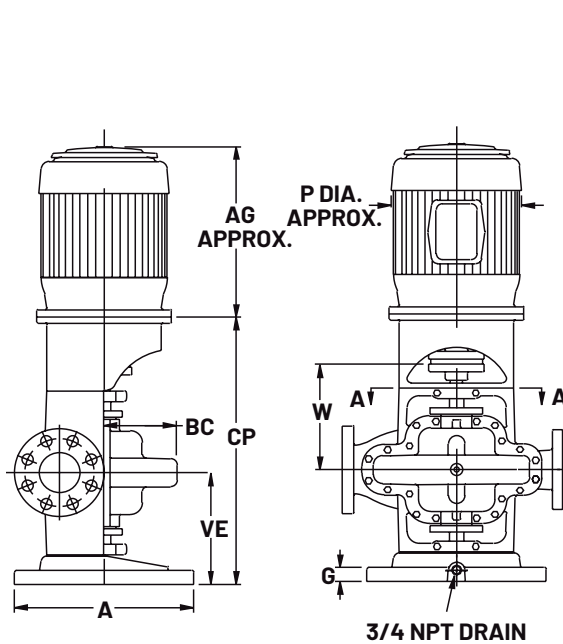
NOTES:

- All dimensions are in inches (mm).
 - Dimensions may vary ± 3/8" (10).
 - Not for construction purposes unless certified.
 - Suction & discharge flanges ANSI standard flat face.
- * Pump sizes 6-481-11HH & 6-481-14HH are furnished as standard with 125# suction flange and 250# discharge flange.

■ Indicates obsolete model.
† Indicates obsolete model.

 STANDARD 125# SUCTION AND DISCHARGE FLANGES	 OPTIONAL 125# SUCTION FLANGE, 250# DISCHARGE FLANGE	 OPTIONAL 250# SUCTION AND DISCHARGE FLANGES
--	--	--

MODEL 483 SINGLE STAGE FIRE PUMPS



BASE	1	2	3
A	18 (457)	22 (559)	30 (762)
G	1-3/4 (44)	1-3/4 (44)	2 (51)
H	3/4 (19)	3/4 (19)	7/8 (22)
HW	16-1/4 (413)	20 (508)	28 (711)

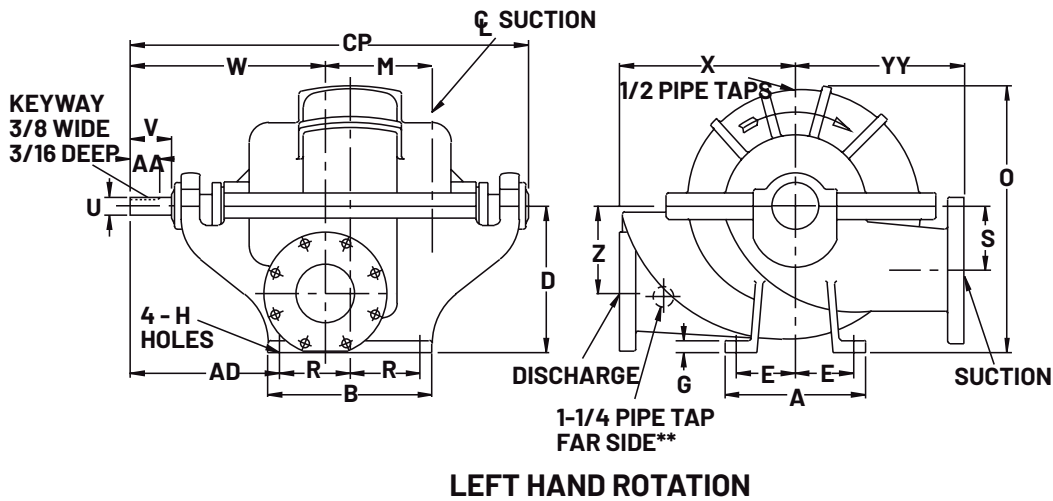
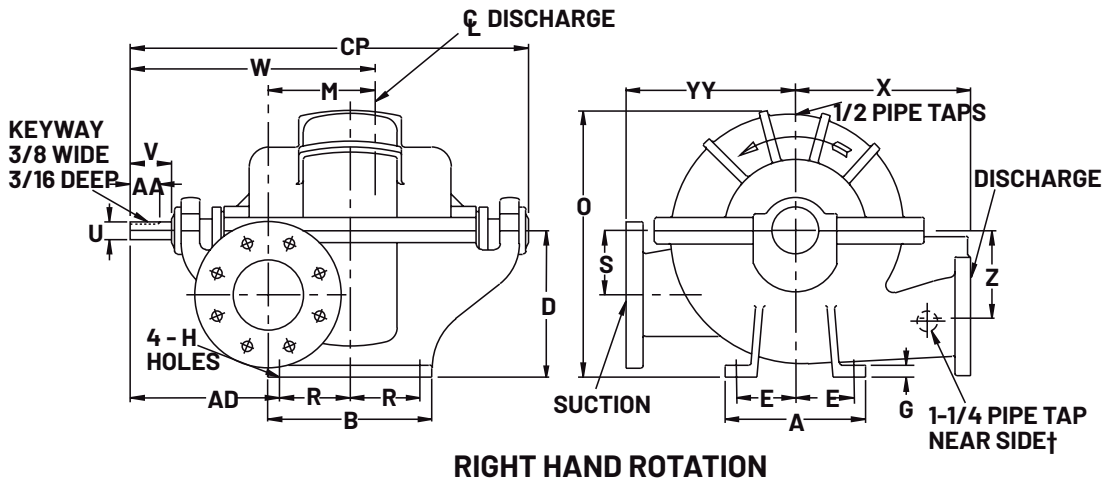
PUMP SIZE			SUCTION	POWER SERIES	BASE	S	W	X	Z	BC	VE	MOTOR FRAME	213HP	215HP	254HP	256HP	284HP	286HP	324HP	326HP	364HP	365HP	404HP	405HP	444HP	445HP	
DISCH	MODEL	CASE BORE											P	10	11	12	12	14	14	16	16	21	21	22	22	24	24
													CP														
2-1/2	483	10 ¹ /10B	3	2	1	4 (102)	13-1/2 (343)	9-3/4 (248)	4 (102)	8 (203)	13 (330)	10 (254)	30	30	30	30	32	32	32	32	32	32	32	32	32	32	32
3	483	10	4	2	1	4-1/2 (114)	13-1/2 (343)	10 (254)	4-1/2 (114)	7-3/16 (183)	13 (330)	11 (279)	30	30	30	30	32	32	32	32	32	32	32	32	32	32	32
4	483	11 ¹ 11A/11C	5	3	2	5 (127)	14-1/2 (368)	11-1/4 (286)	5 (127)	8-5/16 (211)	14 (356)	12-3/4 (324)	-	-	33	33	35	35	35	35	35	35	35	35	35	35	35
4	483	11 ¹ /11D	5	3	2	5 (127)	14-1/2 (368)	12 (305)	5 (127)	8-5/16 (211)	14 (356)	12-3/4 (324)	-	-	33	33	35	35	35	35	35	35	35	35	35	35	35
4	483	15	5	3	2	5-1/2 (140)	14-1/2 (368)	13 (330)	5-1/2 (140)	9 (229)	14 (356)	14 (356)	-	-	-	33	35	35	35	35	35	35	35	35	35	35	35
5	483	11 ¹ 11B/11C	6	4	2	5-1/2 (140)	16 (406)	11-1/4 (286)	5-1/2 (140)	8-3/4 (222)	15 (381)	13-1/4 (337)	-	-	35	35	37	37	37	37	37	37	37	37	37	37	37
5	483	15	6	4	2	6-1/4 (159)	16 (406)	13-1/4 (337)	6-1/4 (159)	10-1/16 (256)	15 (381)	15 (381)	-	-	-	-	37	37	37	37	37	37	37	37	37	37	
5	483	17	6	4	2	6-1/4 (159)	16 (406)	14 (356)	6-1/4 (159)	10-1/16 (256)	15 (381)	15 (381)	-	-	-	-	37	37	37	37	37	37	37	37	37	37	
6	483	11	8	4	2	6-1/4 (159)	16 (406)	11-3/4 (298)	6-1/4 (159)	9-1/4 (235)	15 (381)	14-1/2 (368)	-	-	-	35	37	37	37	37	37	37	37	37	37	37	
6	483	15/15B 15C	8	5	3	6-3/4 (171)	18 (457)	14-1/4 (362)	6-3/4 (171)	11-5/16 (287)	17 (432)	16-3/4 (425)	-	-	-	-	41	41	41	41	41	41	41	41	41	41	
6	483	18 ¹ 18B/18C	8	5	3	8 (203)	18 (457)	16 (406)	8 (203)	12-1/2 (318)	17 (432)	18 (457)	-	-	-	-	41	41	41	41	41	41	41	41	41	41	
6	483	20	8	5	3	8 (203)	18 (457)	15-3/4 (400)	8 (203)	12-15/16 (239)	17 (432)	18 (457)	-	-	-	-	41	41	41	41	41	41	41	41	41		
8	483	12	10	5	3	8 (203)	18 (457)	17 (432)	9 (229)	11-9/16 (294)	17 (432)	17-3/4 (451)	-	-	-	-	41	41	41	41	41	41	41	41	41		
8	483	17B	10	5	3	8 (203)	18 (457)	17 (432)	8 (203)	12-3/8 (314)	17 (432)	17-3/4 (451)	-	-	-	-	41	41	41	41	41	41	41	41	41		

- NOTES:
- All dimensions are in inches (mm).
 - Dimensions may vary ± 3/8" (10).
 - Not for construction purposes unless certified.
 - Suction and discharge flanges are ANSI standard flat face.
 - Motor dimensions "AG" and "P" will vary based on manufacturer and style of motor. Conduit box is shown in approximate location.

<input type="checkbox"/>	<input type="checkbox"/>	<input type="checkbox"/>
STANDARD 125# SUCTION AND DISCHARGE FLANGES	OPTIONAL 125# SUCTION AND 250# DISCHARGE FLANGE	OPTIONAL 250# SUCTION AND 250# DISCHARGE FLANGES

† Indicates obsolete model.

MODEL 485 MULTISTAGE FIRE PUMPS



** Both sides for 5-485-12 and 6-485-12

PUMP SIZE			SUCTION POWER SERIES																	RIGHT HAND ROTATION W	LEFT HAND ROTATION W				
DISCH	MODEL	CASE BORE		A	B	D	E	G	H	M	O	R	S	U	V	X	Z	AA	AD			CP	YY		
4	485	15	5 3	10 (254)	12 (304)	11 (279)	4-1/4 (108)	7/8 (22)	3/4 (19)	7-1/8 (181)	23 (584)	5 (127)	5 (127)	1-3/8 (35)	3 (76)	18-7/8 (479)	15-1/8 (384)	13 (330)	6-1/2 (165)	2 (51)	12 (304)	31 (787)	13-1/2 (343)		
5	485	12	5 4A	15 (381)	16 (406)	14 (356)	6-1/2 (165)	1 (25)	7/8 (22)	6-5/8 (168)	24-1/4 (616)	7 (179)	7 (179)	1-1/2 (38)	3-5/8 (92)	20-7/8 (530)	18-1/8 (460)	13 (330)	7 (179)	2-1/2 (64)	12-1/2 (318)	35-3/8 (899)	13 (330)		
5	485	15	6 4	12 (304)	14 (356)	12-1/2 (318)	5 (127)	1 (25)	7/8 (22)	9-1/8 (232)	24-1/2 (622)	6 (152)	5-1/2 (140)	1-1/2 (38)	3-1/2 (89)	21-1/8 (537)	16-7/8 (429)	15 (381)	7-1/2 (191)	2 (51)	13 (330)	34-1/2 (876)	15-7/16 (392)		
6	485	12/12A	6 5A	16 (406)	19 (483)	15 (381)	7 (179)	1 (25)	7/8 (22)	7-1/2 (191)	26-1/4 (667)	8-1/2 (216)	8 (203)	1-3/4 (44)	4 (102)	22-7/8 (581)	19-5/8 (498)	14 (356)	8 (203)	2-3/4 (70)	12-3/4 (324)	38-1/2 (978)	14 (356)		
6	485	16/16B	8 5	12 (305)	14 (356)	16.50 (419)	5 (127)	1 (25)	.88 (22)	10.50 (267)	33.50 (851)	6 (152)	8.25 (210)	1.75 (44)	4 (102)	23.63 (600)	18.38 (467)	19 (483)	7.75 (197)	2.88 (73)	15 (381)	37.88 (962)	17 (432)		
6	485	17 [†] 17A/17B	8 5	12 (304)	14 (356)	14-3/4 (375)	5 (127)	1 (25)	7/8 (22)	11 (279)	28-1/4 (718)	6 (152)	7 (179)	1-3/4 (44)	4 (102)	24-1/2 (622)	17-1/2 (445)	16 (406)	9 (229)	2-7/8 (73)	15 (381)	38 (965)	16-1/2 (419)		

NOTES:

- All dimensions are in inches (mm).
- Dimensions may vary ± 3/8" (10).
- Not for construction purposes unless certified.
- Suction and discharge flanges ANSI standard flat face.

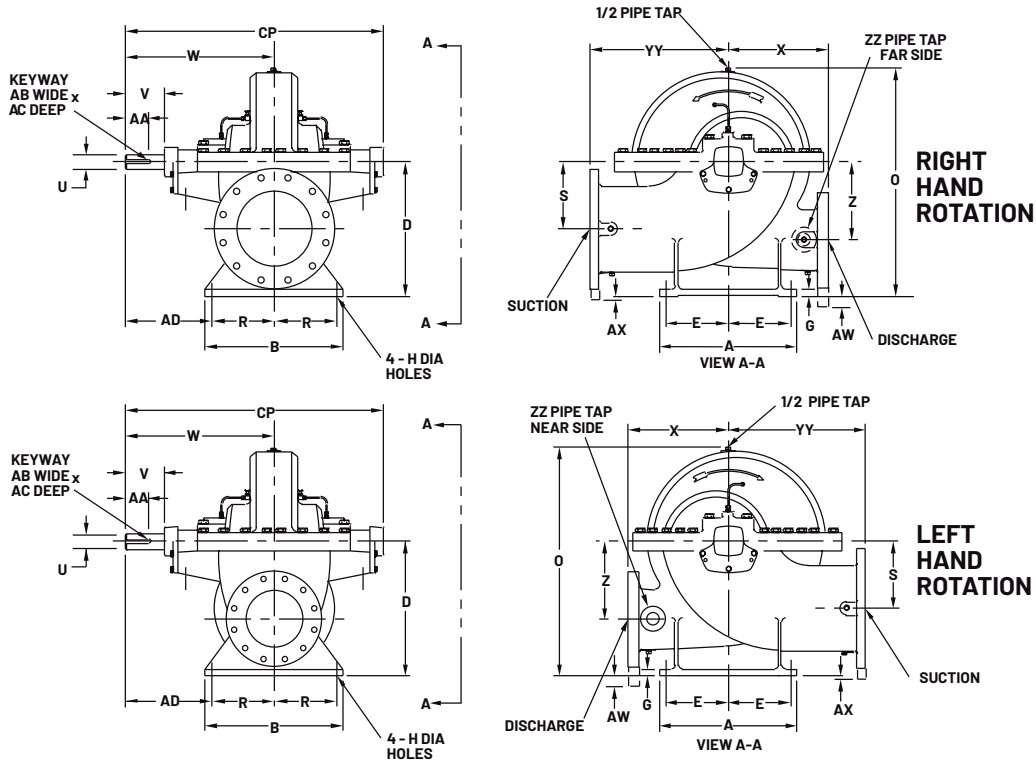
* 150# and 300# or 300# and 300# suction and discharge ductile iron for 5-485-12 and 6-485-12.

† Indicates obsolete model.

STANDARD *125# SUCTION FLANGE,
*250# DISCHARGE FLANGE

OPTIONAL *250# SUCTION AND
DISCHARGE FLANGES

MODEL 491 SINGLE STAGE FIRE PUMPS



PUMP SIZE			SUCTION	DIMENSIONS (INCHES)																					
DISCH	MODEL	CASE BORE		A	B	D	E	G	H	O	R	S	U	V	W	X	Z	AA	AB	AC	AD	AW	AX	CP	YY
3	491	9A	5	14-1/2 (368)	14-1/2 (368)	12 (304)	6-1/4 (159)	1 (25)	7/8 (22)	18-7/8 (479)	6-1/4 (159)	6-1/8 (156)	1-1/8 (28)	3-5/16 (84)	14-5/8 (371)	11 (279)	6-1/8 (155)	2-1/2 (63)	1/4 (6)	1/8 (3)	8-3/8 (212)	-	-	25-15/16 (658)	12 (304)
		9C	5	11 (279)	11 (279)	9-3/4 (245)	4-5/8 (117)	3/4 (25)	5/8 (16)	16-1/8 (410)	4-5/8 (117)	5-3/4 (146)	1-1/8 (28)	3-1/4 (83)	14-5/8 (371)	10 (254)	5-1/2 (140)	2-1/2 (63)	1/4 (6)	1/8 (3)	10 (254)	-	-	25-15/16 (658)	11-1/4 (285)
4	491	11A	6	14-1/2 (368)	14-1/2 (368)	13-3/4 (349)	6-1/4 (159)	1 (25)	7/8 (22)	22 (559)	6-1/4 (159)	6-7/8 (174)	1-1/2 (38)	3-1/2 (88)	16-5/8 (422)	11-1/4 (285)	7-1/8 (180)	2-3/8 (60)	3/8 (9)	3/16 (4)	10-3/8 (263)	3/4 (19)	2-1/4 (57)	29-11/16 (754)	14 (355)
		11C	6	18 (457)	18 (457)	13-3/4 (349)	8 (203)	1-1/8 (28)	7/8 (22)	23-5/8 (600)	8 (203)	6-7/8 (174)	1-1/2 (38)	3-1/2 (88)	17-5/8 (447)	13 (330)	8-3/8 (212)	2-3/8 (60)	3/8 (9)	3/16 (4)	9-5/8 (244)	-	-	31-11/16 (804)	15-1/4 (387)
4	491	14C	6	18 (457)	18 (457)	16-1/4 (412)	8 (203)	1-1/8 (28)	7/8 (22)	27-1/16 (687)	8 (203)	8-1/4 (209)	1-1/2 (38)	3-1/2 (88)	17-5/8 (447)	13-1/2 (342)	9-3/4 (247)	2-3/8 (60)	3/8 (9)	3/16 (4)	9-5/8 (244)	-	-	31-11/16 (804)	17-1/4 (438)
5	491	14A	8	18 (457)	18 (457)	16-1/4 (412)	8 (203)	1-1/8 (28)	7/8 (22)	28-3/8 (720)	8 (203)	8-1/8 (206)	2-1/8 (53)	4-3/8 (111)	18-7/8 (479)	15 (381)	10-5/8 (268)	3-1/2 (88)	1/2 (12)	1/4 (6)	10-7/8 (276)	-	-	33-3/8 (847)	18-3/4 (476)
6	491	12A	6	14-1/2 (368)	14-1/2 (368)	13-3/4 (349)	6-1/4 (159)	1 (25)	7/8 (22)	22 (559)	6-1/4 (159)	6-7/8 (174)	1-1/2 (38)	3-1/2 (88)	16-5/8 (422)	20-1/2 (520)	7-1/8 (180)	2-3/8 (60)	3/8 (9)	3/16 (4)	10-3/8 (263)	-	-	29-11/16 (754)	14 (355)
		12B	6	18 (457)	18 (457)	18-3/4 (476)	8 (203)	1-1/8 (28)	7/8 (22)	30-1/16 (763)	8 (203)	9-3/8 (238)	2-1/8 (53)	4-3/8 (111)	20-1/8 (511)	13-1/4 (337)	10 (254)	3-1/2 (88)	1/2 (12)	1/4 (6)	12-1/8 (308)	-	-	35-7/8 (911)	18 (457)
6	491	14A	10	22 (558)	22 (558)	18-3/4 (476)	10 (254)	1-1/8 (28)	7/8 (22)	32 (813)	10 (254)	9-3/8 (238)	2-1/8 (53)	4-3/8 (111)	20-1/8 (511)	16 (406)	11-3/4 (295)	3-1/2 (88)	1/2 (12)	1/4 (6)	10-1/8 (263)	-	-	35-7/8 (911)	20 (508)
6	491	18C	10	22 (558)	22 (558)	18-3/4 (476)	10 (254)	1-1/8 (28)	7/8 (22)	33-5/16 (846)	10 (254)	9-3/8 (238)	2-1/2 (63)	6 (152)	22-5/8 (574)	18 (457)	12-1/8 (307)	4 (101)	5/8 (15)	5/16 (7)	12-5/8 (320)	-	-	39-1/4 (996)	22 (558)
8	491	14A	12	22 (558)	22 (558)	21-1/2 (546)	10 (254)	1-1/8 (28)	7/8 (22)	33-5/8 (854)	10 (254)	10-3/4 (273)	2-1/8 (53)	4-3/8 (111)	20-1/2 (520)	16 (406)	10-3/4 (273)	3-1/2 (88)	1/2 (12)	1/4 (6)	10-1/2 (266)	-	-	36-5/8 (930)	22 (558)
8	491	18A	12	22 (558)	22 (558)	21-1/2 (546)	10 (254)	1-1/8 (28)	7/8 (22)	36 (914)	10 (254)	10-3/4 (273)	2-1/2 (63)	6 (152)	23-3/4 (603)	16 (406)	12-1/2 (317)	4 (101)	5/8 (15)	5/16 (7)	13-3/4 (349)	-	-	41-1/2 (1054)	22 (558)
10	491	20	16	22 (558)	22 (558)	24 (609)	10 (254)	1-1/4 (31)	7/8 (22)	40-3/8 (1025)	10 (254)	13 (330)	2-3/4 (69)	6-1/2 (165)	25-9/16 (649)	23 (584)	14-1/4 (361)	5 (127)	5/8 (15)	5/16 (7)	15-9/16 (395)	-	1-3/4 (44)	44-9/16 (1131)	25 (635)

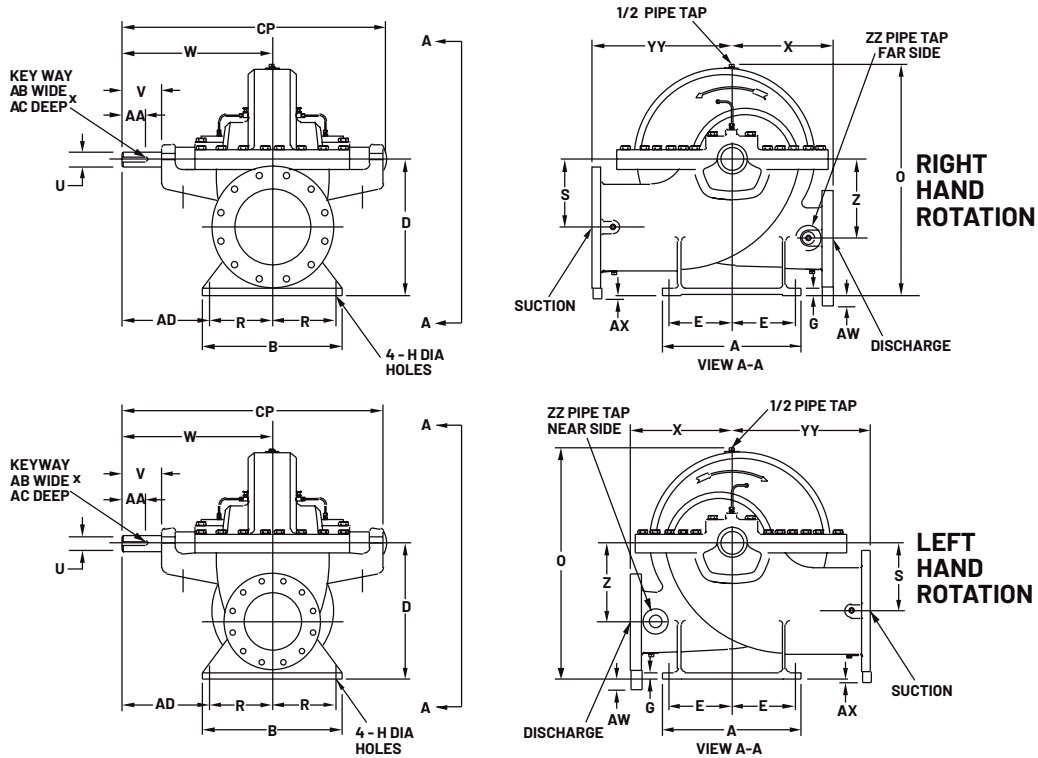
NOTES:

1. All dimensions are in inches.
2. Dimensions may vary ± 3/8".
3. Not for construction purposes unless certified.
4. Suction and discharge flanges ANSI standard flat face.

* Std. 125# suction flange, 250# discharge flange for 6-491-12A and 10-491-20.

	STANDARD 125# SUCTION AND DISCHARGE FLANGES*
	OPTIONAL 125# SUCTION FLANGE, 250# DISCHARGE FLANGE
	OPTIONAL 250# SUCTION AND DISCHARGE FLANGES

MODEL 492 SINGLE STAGE FIRE PUMPS



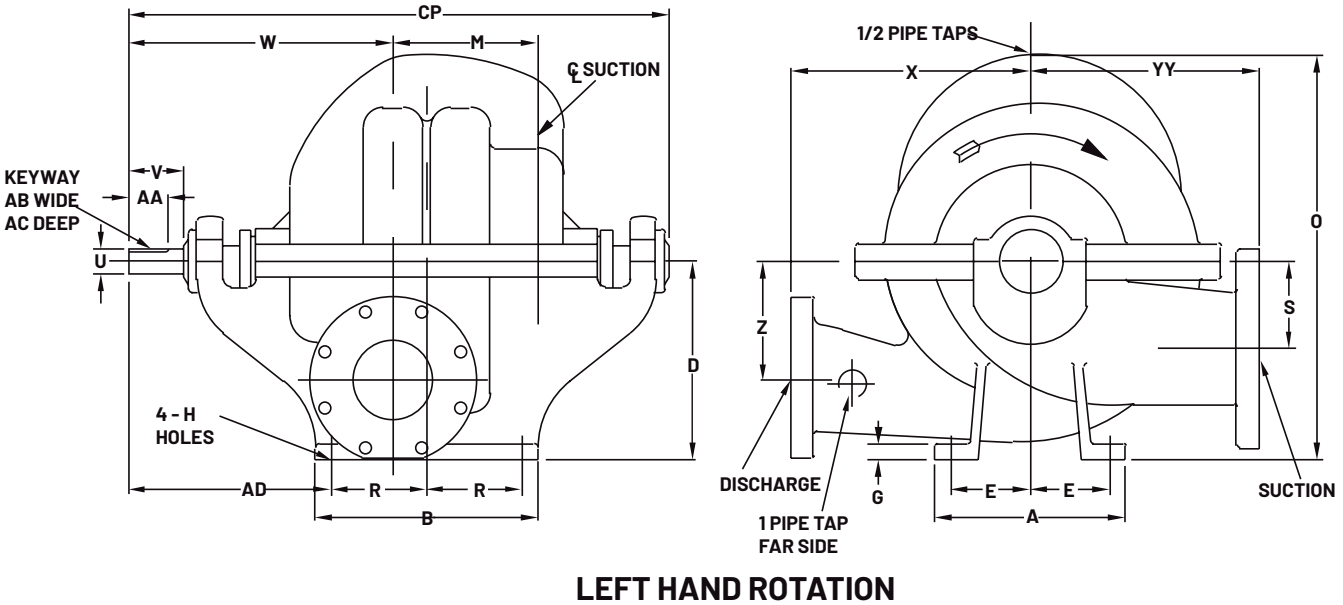
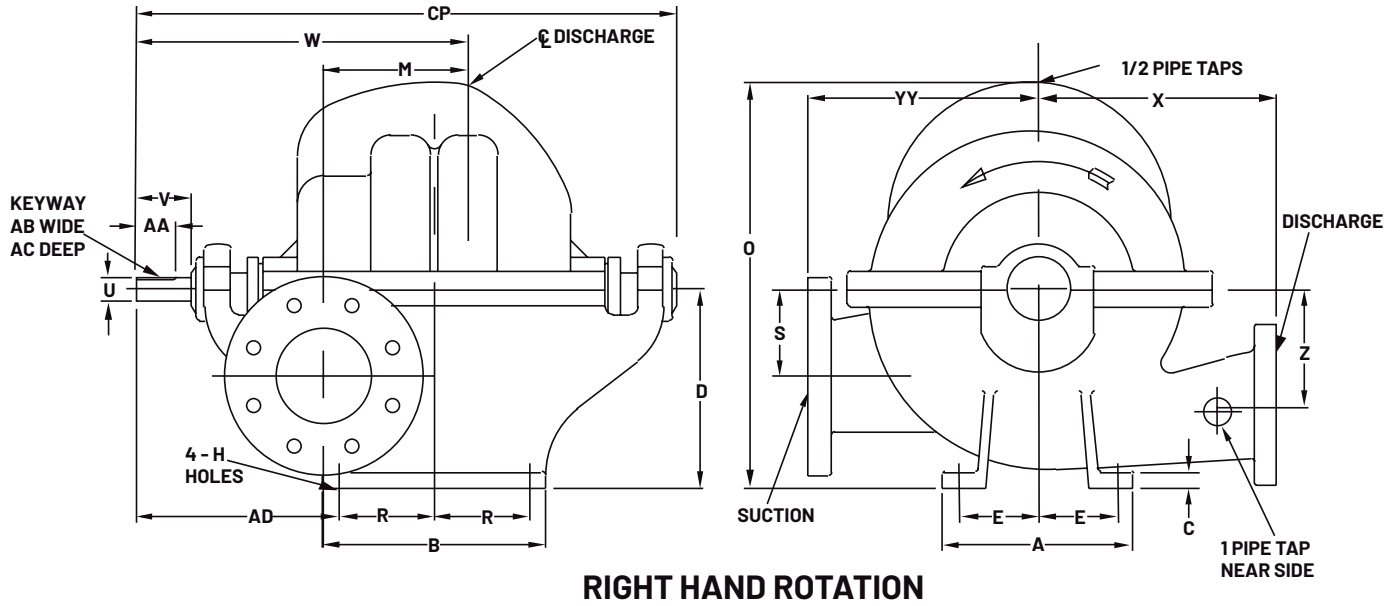
PUMP SIZE			SUCTION	DIMENSIONS (INCHES)																						
DISCH	MODEL	CASE BORE		A	B	D	E	G	H	O	R	S	U	V	W	X	Z	AA	AB	AC	AD	AW	AX	CP	YY	ZZ
3	492	10A	4	12 (305)	11-1/2 (292)	10-1/2 (267)	5-1/8 (130)	2 (50)	5/8 (16)	17 (432)	4-7/8 (124)	5-1/2 (140)	1-1/16 (27)	3-7/8 (98)	16-1/2 (419)	10 (254)	5-1/2 (140)	3-3/8 (86)	1/4 (6)	1/8 (3)	11-5/8 (295)	-	-	29-3/16 (741)	10 (254)	1
4	492	10	6	13 (330)	14 (355)	13 (330)	5-1/2 (139)	1 (25)	7/8 (22)	20-5/16 (515)	6 (152)	6-1/2 (165)	1-1/4 (31)	4 (101)	16-7/8 (428)	10-1/4 (260)	6-1/2 (165)	2-1/4 (57)	1/4 (6)	1/8 (3)	10-7/8 (276)	-	-	29-13/16 (757)	11 (279)	
4	492	14	5	14 (355)	15 (381)	12-1/2 (317)	6 (152)	2 (50)	7/8 (22)	21-3/4 (552)	6-1/2 (165)	7-3/8 (187)	1-1/4 (31)	3-5/8 (92)	18-3/8 (466)	13-1/2 (342)	7-3/8 (187)	2-5/8 (66)	1/4 (6)	1/8 (3)	11-7/8 (301)	-	3/8 (9)	33-3/16 (842)	14 (355)	3/4
4	492	18	5	15 (381)	16 (406)	14-3/4 (374)	6-1/2 (165)	2 (50)	7/8 (22)	25-3/4 (654)	7 (177)	9-1/2 (241)	1-1/4 (31)	3-1/2 (88)	18-3/8 (466)	14 (355)	9-1/2 (241)	2-5/8 (66)	1/4 (6)	1/8 (3)	11-3/8 (288)	-	1/4 (6)	33-1/4 (844)	14 (355)	
5	492	10	8	16-1/2 (419)	16-1/2 (419)	16 (406)	7 (177)	1 (25)	1-1/4 (31)	23-5/8 (600)	7 (177)	8 (203)	1-5/8 (41)	4-5/8 (117)	20 (508)	12-1/2 (317)	7 (177)	4-3/16 (106)	3/8 (9)	3/16 (4)	13 (406)	-	-	35-1/2 (902)	13 (330)	
5	492	18	6	18 (457)	16 (406)	16 (406)	8 (203)	2-1/4 (57)	1 (25)	27-3/4 (704)	7 (177)	10 (254)	1-11/16 (42)	4-15/16 (125)	21 (533)	14 (355)	10 (254)	4-1/8 (104)	3/8 (9)	3/16 (4)	14 (355)	-	1/4 (6)	37-1/8 (942)	14 (355)	
6	492	10	10	16-1/2 (419)	16-1/2 (419)	18 (457)	7 (177)	3/4 (19)	1-1/4 (31)	26-7/16 (671)	7 (177)	9 (228)	1-5/8 (41)	4-5/8 (117)	20-5/8 (523)	13 (330)	7-1/2 (190)	4-3/16 (106)	3/8 (9)	3/16 (4)	13-5/8 (346)	-	-	36-3/4 (933)	15 (381)	
6	492	15	8	17-1/2 (444)	20 (508)	15-1/2 (394)	7-3/4 (197)	2-1/2 (63)	1 (25)	25-3/4 (654)	9 (228)	8-3/4 (222)	1-11/16 (42)	4-3/16 (106)	22-1/2 (571)	15.5 (394)	8-3/4 (222)	4-1/8 (104)	3/8 (9)	3/16 (4)	13-5/8 (346)	-	3/4 (19)	40-1/4 (1022)	15 (381)	1
8	492	15	10	17-1/2 (444)	20 (508)	17-1/2 (444)	7-3/4 (196)	2-1/2 (63)	1 (25)	28-1/8 (714)	9 (228)	9-1/4 (234)	1-11/16 (42)	4-13/16 (122)	22-1/2 (571)	17 (431)	9-1/4 (234)	4-1/8 (104)	3/8 (9)	3/16 (4)	13-1/2 (342)	-	1/2 (12)	40-1/4 (1022)	17 (431)	
10	492	18	12	26 (660)	24 (609)	21-3/4 (552)	10-1/2 (266)	1-1/4 (31)	1-1/4 (31)	35-1/4 (895)	9-1/2 (241)	11-1/2 (292)	2 (50)	5-5/16 (134)	25-9/16 (649)	21 (533)	11-1/2 (292)	5 (127)	1/2 (12)	1/4 (6)	16-1/16 (407)	-	-	45-13/16 (1163)	21 (533)	

NOTES:

- All dimensions are in inches.
 - Dimensions may vary $\pm 3/8"$.
 - Not for construction purposes unless certified.
 - Suction and discharge flanges ANSI standard flat face.
- Indicates obsolete model.

<input type="checkbox"/>	STANDARD 125# SUCTION AND DISCHARGE FLANGES
<input type="checkbox"/>	OPTIONAL 125# SUCTION FLANGE, 250# DISCHARGE FLANGE
<input type="checkbox"/>	OPTIONAL 250# SUCTION AND DISCHARGE FLANGES

MODEL 495 MULTISTAGE FIRE PUMPS



PUMP SIZE			SUCTION															RIGHT HAND ROTATION	LEFT HAND ROTATION						
DISCH	MODEL	CASE BORE		A	B	D	E	G	H	M	O	R	S	U	V	W	W	X	Z	AA	AB	AC	AD	CP	YY
5	495	15	6	20 (508)	24 (609)	17 (431)	9 (228)	2 (50)	7/8 (22)	11 (279)	27-3/4 (704)	11 (279)	9 (228)	1-11/16 (42)	5-7/16 (138)	28-3/8 (720)	23-3/8 (593)	15 (381)	9 (228)	4 (101)	3/8 (9)	3/16 (4)	14-7/8 (377)	46-7/8 (1190)	15 (381)
6	495	17	8	22 (558)	27 (685)	17-1/2 (444)	9-3/4 (247)	2-1/2 (63)	1-1/8 (28)	13 (330)	35-3/8 (898)	12 (304)	9 (228)	2-1/4 (57)	4-5/8 (117)	31-5/8 (803)	25-1/8 (638)	16-1/2 (419)	10-1/2 (266)	4-1/4 (107)	1/2 (12)	1/4 (6)	16-3/8 (415)	52-1/2 (1333)	16-1/2 (419)

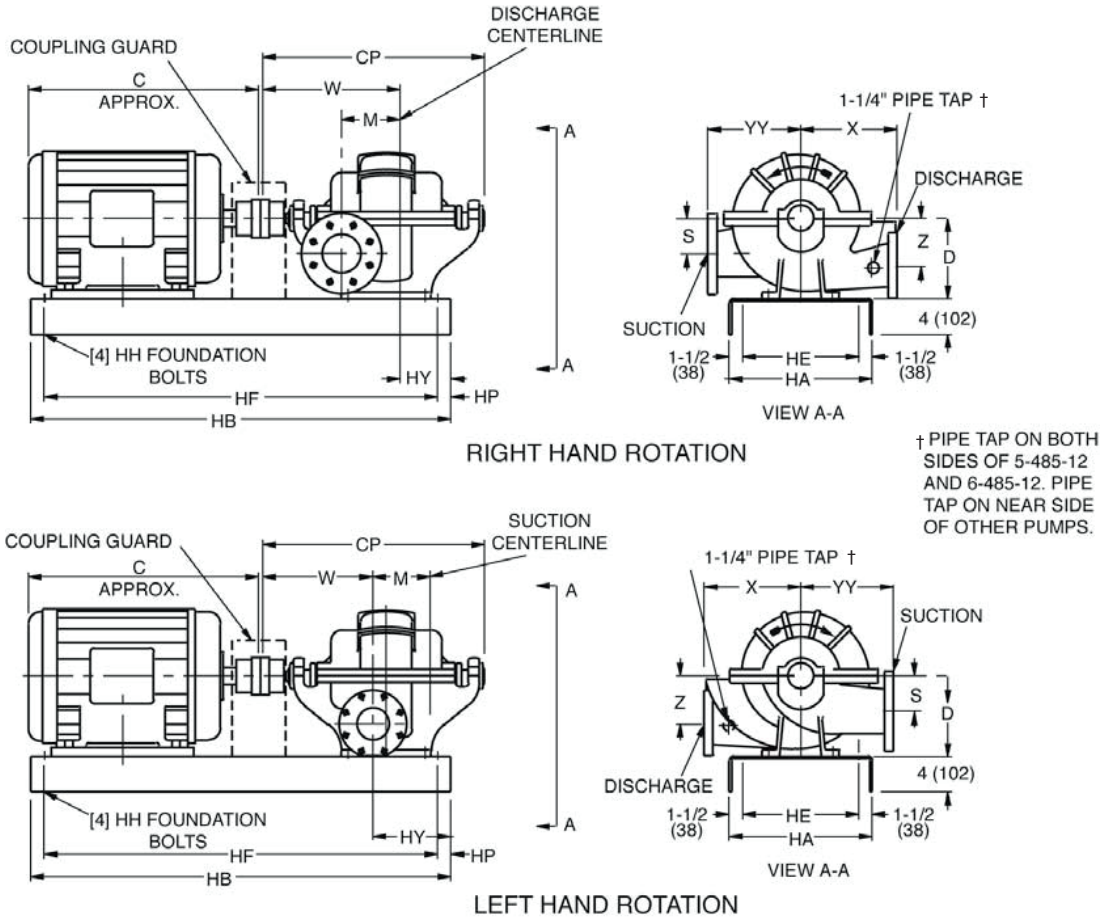
NOTES:

1. All dimensions are in inches.
 2. Dimensions may vary $\pm 3/8"$.
 3. Not for construction purposes unless certified.
 4. Suction and discharge flanges ANSI standard flat face.
- Indicates obsolete model.

STANDARD 125# SUCTION AND
250# DISCHARGE FLANGE

OPTIONAL 250# SUCTION AND
DISCHARGE FLANGES

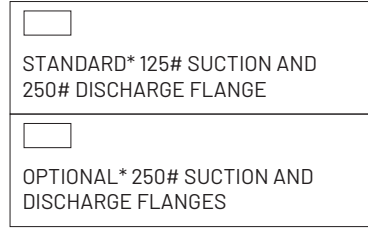
MODEL 485 ON STANDARD STEEL BASE



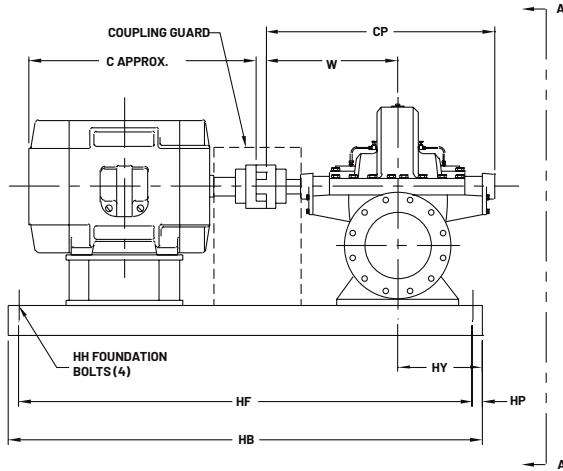
PUMP SIZE			SUCTION POWER SERIES	D	M	S	RIGHT HAND ROTATION		LEFT HAND ROTATION		X	Z	CP	RIGHT HAND ROTATION		LEFT HAND ROTATION		YY	C	MOTOR FRAME	326TS	326T	364TS	364T	366TS	366T	404TS	404T	405TS	405T	444TS	444TS	447TS	447TS	449TS
DISCH	MODEL	CASE BORE					RIGHT HAND ROTATION W	LEFT HAND ROTATION W	RIGHT HAND ROTATION HY	LEFT HAND ROTATION HY				RIGHT HAND ROTATION HY	LEFT HAND ROTATION HY																				
4	485	15	5 3	11 (279)	7-1/8 (181)	5 (127)	18-7/8 (479)	15-1/8 (384)	13 (330)	6-1/2 (165)	31 (787)	4-1/8 (105)	7-7/8 (200)	13-1/2 (343)	Base	12	12	12	12	12	12	12	12	12	12	15	15	15	15	15	15	-	-	-	-
5	485	12	5 4A	14 (356)	6-5/8 (168)	7 (178)	20-7/8 (530)	18-1/8 (460)	13 (330)	7 (178)	35-3/8 (889)	11-1/8 (283)	13 (330)	13 (330)	Base	-	-	-	-	-	-	-	-	-	-	16	-	16	-	16	16	17	17	-	-
5	485	15	6 4	12-1/2 (317)	9-1/8 (232)	5-1/2 (140)	21-1/8 (536)	16-7/8 (428)	15 (381)	7-1/2 (190)	34-1/2 (876)	4-7/8 (124)	9-1/8 (232)	15-7/16 (392)	Base	12	12	12	12	12	12	13	15	15	15	15	15	15	15	16	16	-	-	-	-
6	485	12 12A	6 5A	15 (381)	7-1/2 (191)	8 (203)	22-7/8 (581)	19-5/8 (498)	14 (356)	8 (203)	38-1/2 (978)	10-7/8 (276)	14-1/8 (359)	14 (356)	Base	-	-	-	-	-	-	-	-	-	-	-	16	-	16	16	17	17	-	-	
6	485	16 16B	8 5	16.5 (419)	10.5 (267)	8.25 (210)	23.63 (600)	18.38 (467)	19 (483)	7.75 (197)	37.88 (962)	5 (127)	10.25 (260)	17 (432)	Base	-	-	-	-	13	13	16	16	16	16	16	16	16	16	16	16	16	16	16	17
6	485	17A 17B	8 5	14-3/4 (374)	11 (279)	7 (178)	24-1/2 (622)	17-1/2 (444)	16 (406)	9 (228)	38 (964)	3-1/2 (89)	10-1/2 (266)	16-1/2 (419)	Base	13	13	13	13	13	13	15	15	15	15	15	16	16	16	16	16	-	-		

BASE	SIZE	HA	HB	HE	HF	HH	HP
12	18x54 (558)	18 (457)	54 (1372)	15 (381)	52 (1321)	5/8 (16)	1 (25)
13	18x60 (660)	18 (457)	60 (1524)	15 (381)	35 (889)	5/8 (16)	24 (609)
15	22x60 (660)	22 (559)	60 (1524)	19 (483)	58 (1473)	3/4 (19)	1 (25)
16	22x72 (660)	22 (559)	72 (1829)	19 (483)	70 (1777)	5/8 (16)	1 (25)
17	22x84 (660)	22 (559)	84 (2134)	19 (483)	80 (2083)	5/8 (16)	1 (25)

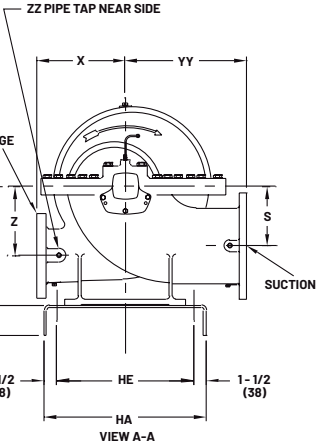
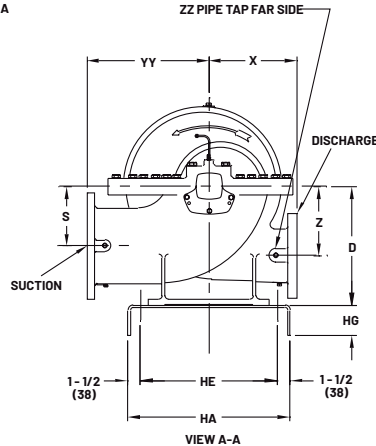
- NOTES:
1. All dimensions are in inches (mm).
 2. Dimensions may vary $\pm 3/8"$ (10).
 3. Not for construction purposes unless certified.
 4. Coupling gap may vary 1/8" thru 1".
 5. Conduit box is shown in approximate location. Dimensions are not specified as they vary with each motor manufacturer.
 6. Suction and discharge flanges are ANSI standard flat face.
- * 150# and 300# or 300# and 300# suction and discharge ductile iron for 5-485-12 and 6-485-12.



MODEL 492 ON STANDARD STEEL BASE



RIGHT HAND ROTATION



LEFT HAND ROTATION

PUMP SIZE			SUCTION												MOTOR FRAME																																
DISCH	MODEL	CASE BORE		D	S	W	X	Z	CP	HY	YY	ZZ	C APPROX	(533)	(558)	(609)	(609)	(635)	(635)	(660)	(660)	(711)	(736)	(736)	(771)	(762)	(762)	(838)	(812)	(889)	(883)	(965)	(914)	(1016)	(1016)	(1117)	(1143)	(1244)	49								
3	492	10A	4	10-1/2 (267)	5-1/2 (140)	16-1/2 (419)	10 (254)	5-1/2 (140)	29-3/16 (757)	7 (178)	10 (254)	1	Base	11	11	11	11	11	11	11	12	12	12	12	12	12	12	12	12	12	12	12	12	12	12	12	12	12	12	12	12	12	12				
4	492	10	6	13 (330)	6-1/2 (165)	16-7/8 (428)	10-1/4 (260)	6-1/2 (165)	29-3/16 (757)	10 (254)	11 (279)	3/4	Base	-	-	-	-	-	-	-	13A	13A	13A	13A	13A	13A	13A	13A	13A	15	15	15	16	-	-	-	-	-	-	-	-	-					
4	492	14	5	12-1/2 (317)	7-3/8 (187)	18-3/8 (466)	13-1/2 (342)	7-3/8 (187)	33-3/16 (842)	10 (254)	14 (355)	3/4	Base	-	12	12	12	13A	13A	13A	13A	13A	13A	13A	-	-	-	-	-	-	-	-	-	-	-	-	-	-	-	-	-	-	-				
4	492	18	5	14-3/4 (374)	9-1/2 (241)	18-3/8 (466)	14 (355)	9-1/2 (241)	33-1/4 (844)	11 (279)	14 (355)	3/4	Base	-	-	-	-	-	-	-	13A	13A	13A	13A	13A	14A	14A	16	16	-	-	-	-	-	-	-	-	-	-	-	-	-					
5	492	10	8	16 (406)	8 (203)	20 (508)	12-1/2 (317)	7 (178)	35-1/2 (902)	11 (279)	13 (330)	1	Base	12	12	15	15	15	15	15	15	15	15	15	15	15	15	15	15	15	16	16	16	16	16	16	16	16	16	16	16	16	16	16	16	16	
5	492	18	6	16 (406)	10 (254)	21 (533)	14 (355)	10 (254)	37-1/8 (942)	11 (279)	14 (355)	1	Base	-	-	-	-	-	-	-	15	15	15	15	15	15	16	16	16	16	16	16	16	16	16	16	16	16	16	16	16	16	16	16	16	16	
6	492	10	10	18 (457)	9 (228)	20-5/8 (523)	13 (330)	7-1/2 (190)	36-3/4 (933)	11 (279)	15 (381)	1	Base	-	-	-	-	-	-	-	-	-	-	-	-	-	16	16	16	16	16	16	16	16	16	16	16	16	16	16	16	16	16	16	16	16	16
6	492	15	8	15-1/2 (394)	8-3/4 (222)	22-1/2 (571)	15 (381)	8-3/4 (222)	40-1/4 (1022)	13 (330)	15-1/2 (394)	1	Base	-	-	-	15	15	16	16	16	16	16	16	16	16	16	16	16	16	16	16	16	16	16	16	16	16	16	16	16	16	16	16	16	16	16
8	492	15	10	17-1/2 (444)	9-1/4 (234)	22-1/2 (571)	17 (431)	9-1/4 (234)	40-1/4 (1022)	13 (330)	17 (431)	1	Base	-	-	-	-	-	-	-	16	16	16	16	16	16	16	16	16	16	16	16	16	16	16	16	16	16	16	16	16	16	16	16	16	16	16
10	492	18	12	21-3/4 (552)	11-1/2 (292)	25-9/16 (649)	21 (533)	11-1/2 (292)	45-13/16 (1163)	15 (381)	21 (533)	1	Base	-	-	-	-	-	-	-	-	-	-	-	-	-	-	-	-	-	-	-	-	-	-	-	-	-	-	-	23	23	24	24			

BASE	HA	HB	HE	HG	HH	HF	HP
11	18 (457)	48 (1219)	15 (381)	4 (101)	5/8 (15)	46 (1168)	1 (25)
12	18 (457)	54 (1371)	15 (381)	4 (101)	5/8 (15)	52 (1320)	1 (25)
13A	18 (457)	60 (1524)	15 (381)	4 (101)	5/8 (15)	58 (1473)	1 (25)
14A	18 (457)	65 (1651)	15 (381)	4 (101)	5/8 (15)	63 (1600)	1 (25)
15	22 (558)	60 (1524)	19 (482)	4 (101)	5/8 (15)	58 (1473)	1 (25)
16	22 (558)	72 (1828)	19 (482)	4 (101)	5/8 (15)	70 (1778)	1 (25)
17	22 (558)	84 (2133)	19 (482)	4 (101)	5/8 (15)	82 (2082)	1 (25)
23	26 (660)	84 (2133)	23 (584)	4-1/2 (114)	5/8 (15)	82 (2082)	1 (25)
24	26 (660)	96 (2438)	23 (584)	4-1/2 (114)	5/8 (15)	94 (2387)	1 (25)

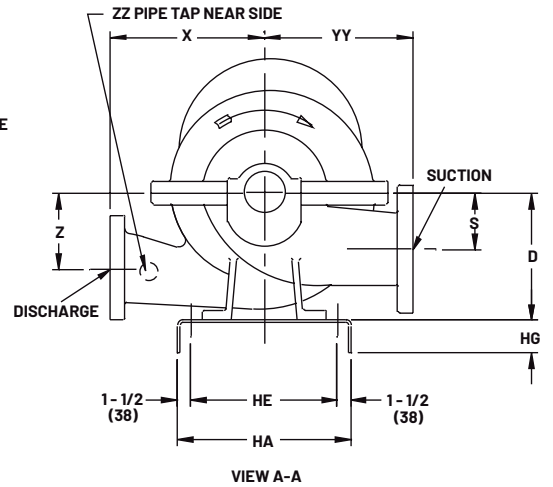
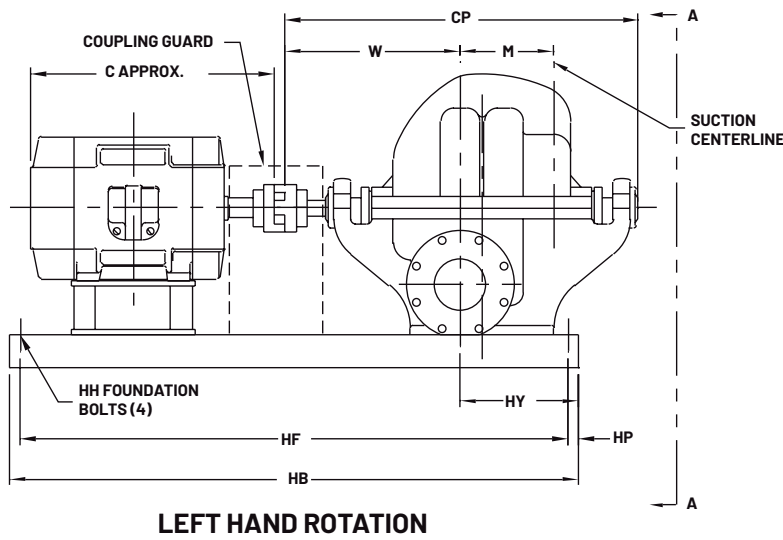
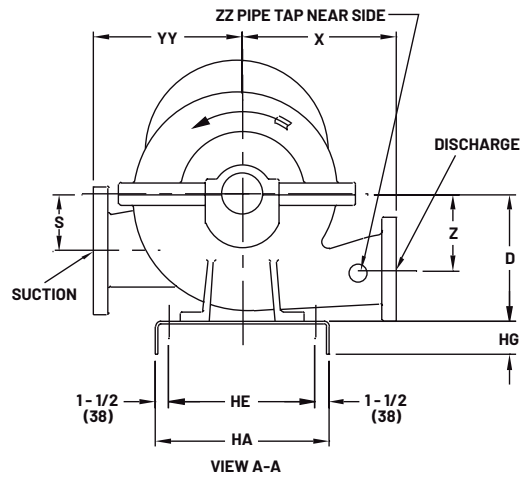
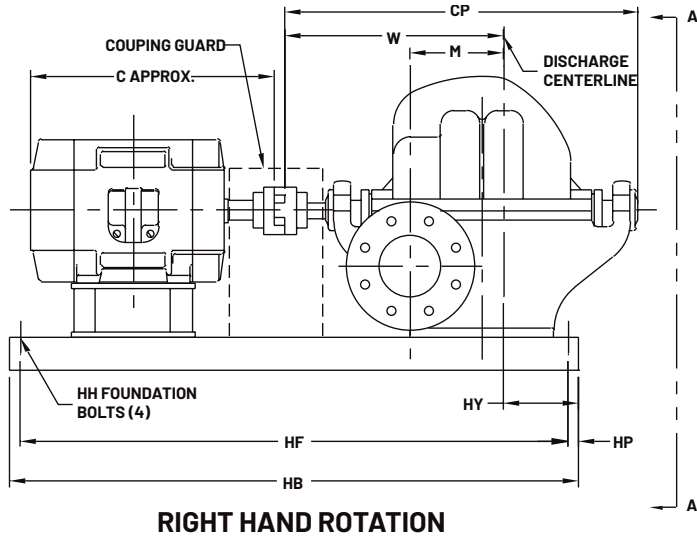
NOTES:

- All dimensions are in inches (mm).
- Dimensions may vary ± 3/8".
- Not for construction purposes unless certified.
- Coupling gap may vary 1/8" thru 3".
- Conduit box is shown in approximate location. Dimensions are not specified as they vary with each motor manufacturer.
- Suction and discharge flanges are ANSI standard flat face.
- Structural steel bases are used for pumps with motor frames larger than 449T (refer to factory).

■ Indicates obsolete model.

<input type="checkbox"/>	STANDARD 125# SUCTION AND DISCHARGE FLANGES
<input type="checkbox"/>	OPTIONAL 125# SUCTION FLANGE, 250# DISCHARGE FLANGE
<input type="checkbox"/>	OPTIONAL 250# SUCTION AND DISCHARGE FLANGES

MODEL 495 ON STANDARD STEEL BASE



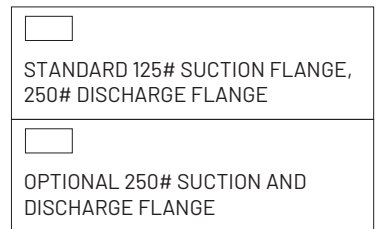
PUMP SIZE		SUCTION	D	M	S	RIGHT HAND W	LEFT HAND W	X	Z	CP	RIGHT HAND HY	LEFT HAND HY	YY	ZZ	C APPROX	MOTOR FRAME													
DISCH	MODEL															CASE BORE	404TS	404T	405TS	405T	444TS	444T	445TS	445T	447TS	447T	448TS	449T	
5	495	15	6	17 (431)	11 (279)	9 (228)	28-3/8 (720)	23-3/8 (593)	15 (381)	9 (228)	46-7/8 (1190)	13-1/2 (342)	18-1/2 (469)	15 (381)	1 (25)	Base	17	17	17	17	-	-	-	-	-	-	-	-	-
6	495	17	8	17-1/2 (444)	13 (330)	9 (228)	31-5/8 (803)	25-1/8 (638)	16-1/2 (419)	10-1/2 (266)	52-1/2 (1333)	12-3/4 (323)	19-1/4 (488)	16-1/2 (419)	1 (25)	Base	-	-	-	-	23	23	23	23	24	24	24	24	24

BASE	HA	HB	HE	HG	HH	HF	HP
17	22 (558)	84 (2133)	19 (482)	4 (101)	5/8 (15)	82 (2082)	1 (25)
23	26 (660)	84 (2133)	23 (584)	4-1/2 (114)	5/8 (15)	82 (2082)	1 (25)
24	26 (660)	96 (2438)	23 (584)	4-1/2 (114)	5/8 (15)	94 (2387)	1 (25)

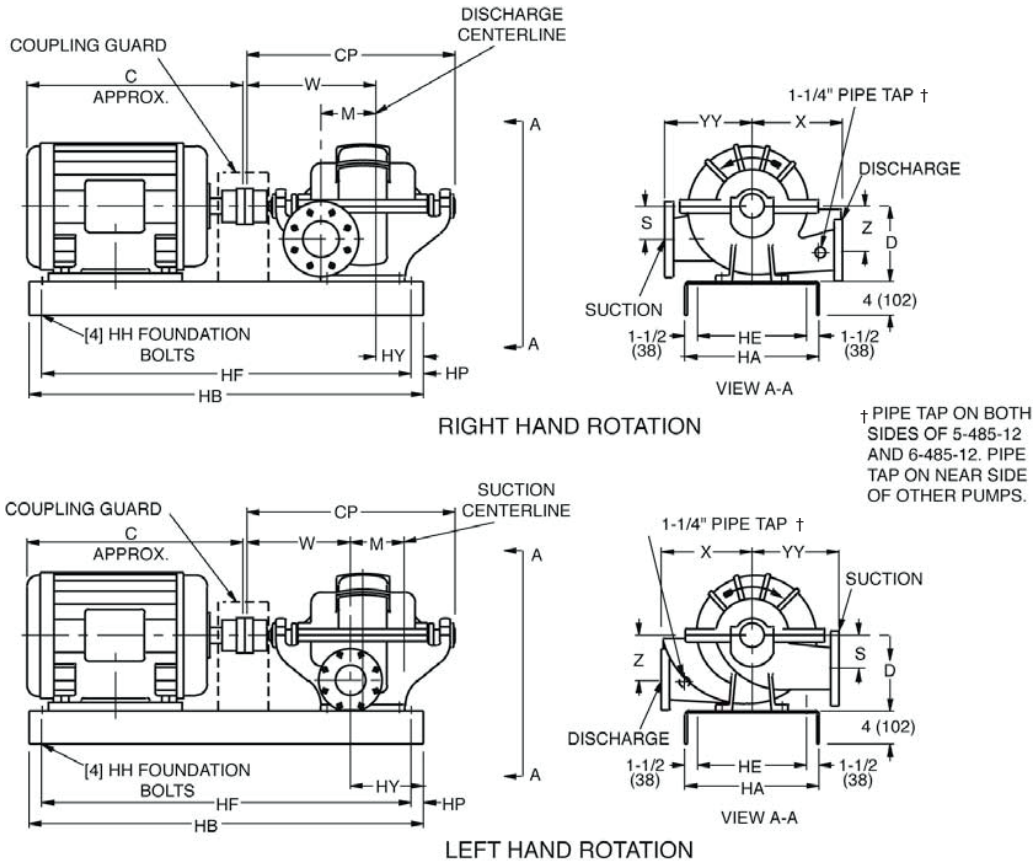
Notes:

1. All dimensions are in inches.
2. Dimensions may vary $\pm 3/8"$.
3. Not for construction purposes unless certified.
4. Coupling gap may vary $1/8"$ thru $3"$.
5. Conduit box is shown in approximate location. Dimensions are not specified as they vary with each motor manufacturer.
6. Suction and discharge flanges are ANSI standard flat face.

■ Indicates obsolete model.



MODEL 485 ON STEEL DRIP RIM BASE



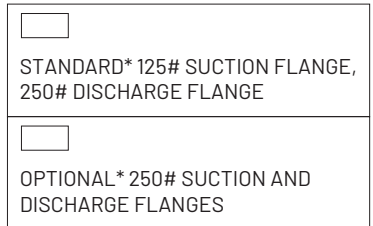
DISCH	MODEL	CASE BORE	SUCTION POWER SERIES	D	M	S	RIGHT HAND ROTATION		LEFT HAND ROTATION		RIGHT HAND ROTATION		LEFT HAND ROTATION		C	MOTOR FRAME	MOTOR FRAME															
							W	X	Z	CP	HY	HY	YY	26 (660)			27 (711)	28 (685)	30 (736)	33 (711)	32 (761)	36 (761)	34 (838)	36 (812)	39 (863)	45 (914)	445TS (914)	447TS (991)	449TS (1143)			
4	485	15	5 3	11 (279)	7-1/8 (181)	5 (127)	18-7/8 (479)	15-1/8 (384)	13 (330)	6-1/2 (165)	31 (787)	4-1/8 (105)	7-7/8 (200)	13-1/2 (343)	Base	12	12	12	12	12	12	12	12	12	15	15	15	15	15	-	-	-
5	485	12	5 4A	14 (356)	6-5/8 (168)	7 (178)	20-7/8 (530)	18-1/8 (460)	13 (330)	7 (178)	35-3/8 (889)	11-1/8 (283)	13-7/8 (352)	13 (330)	Base	-	-	-	-	-	-	-	-	16	-	16	-	16	16	17	17	
5	485	15	6 4	12-1/2 (317)	9-1/8 (232)	5-1/2 (140)	21-1/8 (536)	16-7/8 (428)	15 (381)	7-1/2 (190)	34-1/2 (876)	4-7/8 (124)	9-1/8 (232)	15-7/16 (392)	Base	12	12	12	12	12	12	13	15	15	15	15	15	16	-	-		
6	485	12 12A	6 5A	15 (381)	7-1/2 (191)	8 (203)	22-7/8 (581)	19-5/8 (498)	14 (356)	8 (203)	38-1/2 (978)	10-7/8 (276)	14-1/8 (359)	14 (356)	Base	-	-	-	-	-	-	-	-	16	-	16	16	17	17			
6	485	16 16B	8 5	16.5 (419)	10.5 (267)	8.25 (210)	23.63 (600)	18.38 (467)	19 (483)	7.75 (197)	37.88 (962)	5 (127)	10.25 (260)	17 (432)	Base	-	-	-	-	13	13	16	16	16	16	16	16	16	16	16		
6	485	17A 17B	8 5	14-3/4 (374)	11 (279)	7 (178)	24-1/2 (622)	17-1/2 (444)	16 (406)	9 (228)	38 (964)	3-1/2 (89)	10-1/2 (266)	16-1/2 (419)	Base	13	13	13	13	13	13	15	15	15	15	16	16	16	-	-		

BASE	SIZE	HA	HB	HE	HF	HH	HP
12	18x54 (558)	18 (457)	54 (1372)	15 (381)	52 (1321)	5/8 (16)	1 (25)
13	18x60 (660)	18 (457)	60 (1524)	15 (381)	35 (889)	5/8 (16)	24 (609)
15	22x60 (660)	22 (559)	60 (1524)	19 (483)	58 (1473)	3/4 (19)	1 (25)
16	22x72 (660)	22 (559)	72 (1829)	19 (483)	70 (1777)	5/8 (16)	1 (25)
17	22x84 (660)	22 (559)	84 (2134)	19 (483)	80 (2083)	5/8 (16)	1 (25)

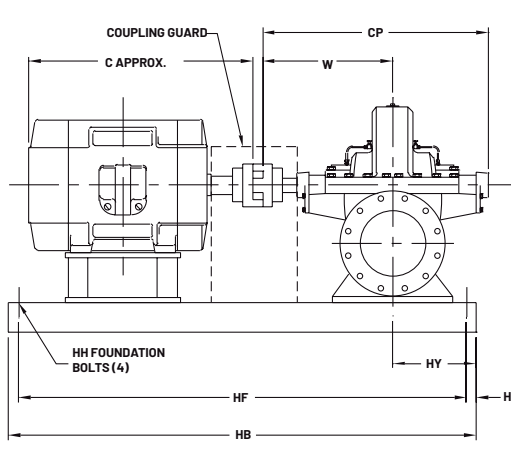
NOTES:

- All dimensions are in inches (mm).
- Dimensions may vary ± 3/8" (10).
- Not for construction purposes unless certified.
- Coupling gap may vary 1/8" thru 1".
- Conduit box is shown in approximate location. Dimensions are not specified as they vary with each motor manufacturer.
- Suction and discharge flanges are ANSI standard flat face.

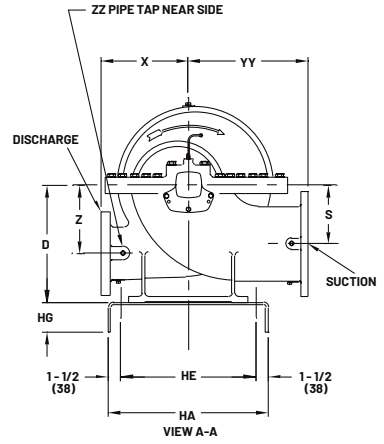
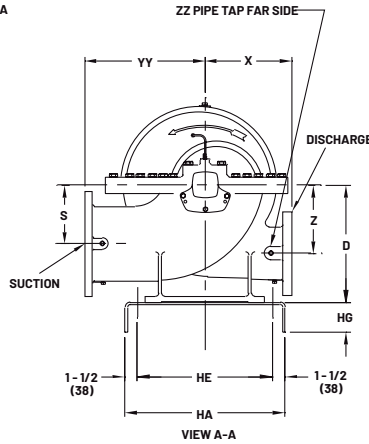
* 150# and 300# or 300# and 300# suction and discharge ductile iron for 5-485-12 and 6-485-12.



MODEL 492 ON STEEL DRIP RIM BASE



RIGHT HAND ROTATION



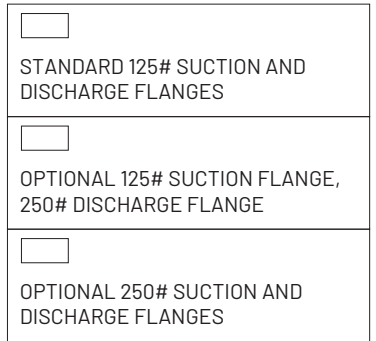
LEFT HAND ROTATION

DISCH	MODEL	CASE BORE	SUCTION	D	S	W	X	Z	CP	HY	YY	ZZ	MOTOR FRAME	C APPROX.																								
														254T (533)	256T (584)	284T S (558)	284T (609)	286T S (635)	286T (635)	324T (660)	324T (660)	326T (711)	328T (736)	364T S (736)	364T (711)	365T (762)	365T (762)	404T S (838)	404T (812)	405T S (889)	405T (863)	444T S (914)	444T S (914)	445T (1016)	447T S (1016)	447T (1117)	449T S (1143)	449T (1244)
														3	492	10A	4	10-1/2 (267)	5-1/2 (140)	16-1/2 (419)	10 (254)	5-1/2 (140)	29-3/16 (757)	7 (178)	10 (254)	1	Base	11	11	11	11	11	11	11	12	12	12	12
4	492	10	6	13 (330)	6-1/2 (165)	16-7/8 (428)	10-1/4 (260)	6-1/2 (165)	29-13/16 (757)	10 (254)	11 (279)	3/4	Base	-	-	-	-	-	-	-	13A	13A	13A	13A	13A	13A	13A	15	15	15	16	-	-	-	-			
4	492	14	5	12-1/2 (317)	7-3/8 (187)	18-3/8 (466)	13-1/2 (342)	7-3/8 (187)	33-3/16 (842)	10 (254)	14 (355)	3/4	Base	-	12	12	13A	13A	13A	13A	13A	13A	13A	-	-	-	-	-	-	-	-	-	-	-	-			
4	492	18	5	14-3/4 (374)	9-1/2 (241)	18-3/8 (466)	14 (355)	9-1/2 (241)	33-1/4 (844)	11 (279)	14 (355)	3/4	Base	-	-	-	-	-	-	-	-	13A	13A	13A	13A	14A	14A	16	16	-	-	-	-	-	-			
5	492	10	8	16 (406)	8 (203)	20 (508)	12-1/2 (317)	7 (178)	35-1/2 (902)	11 (279)	13 (330)	1	Base	12	12	15	15	15	15	15	15	15	15	15	15	15	15	16	16	16	16	16	16	16	16	-	-	
5	492	18	6	16 (406)	10 (254)	21 (533)	14 (355)	10 (254)	37-1/8 (942)	11 (279)	14 (355)	1	Base	-	-	-	-	-	-	-	-	-	15	15	15	16	16	16	16	16	16	16	16	16	-	-		
6	492	10	10	18 (457)	9 (228)	20-5/8 (523)	13 (330)	7-1/2 (190)	36-3/4 (933)	11 (279)	15 (381)	1	Base	-	-	-	-	-	-	-	-	-	-	-	-	-	16	16	16	16	16	16	16	16	16	16	-	-
6	492	15	8	15-1/2 (394)	8-3/4 (222)	22-1/2 (571)	15 (381)	8-3/4 (222)	40-1/4 (1022)	13 (330)	15-1/2 (394)	1	Base	-	-	-	15	15	16	16	16	16	16	16	16	16	16	16	16	16	16	16	16	16	16	-	-	
8	492	15	10	17-1/2 (444)	9-1/4 (234)	22-1/2 (571)	17 (431)	9-1/4 (234)	40-1/4 (1022)	13 (330)	17 (431)	1	Base	-	-	-	-	-	-	-	-	-	16	16	16	16	16	16	16	16	16	16	16	16	16	16	-	-
10	492	18	12	21-3/4 (552)	11-1/2 (292)	25-9/16 (649)	21 (533)	11-1/2 (292)	45-13/16 (1163)	15 (381)	21 (533)	1	Base	-	-	-	-	-	-	-	-	-	-	-	-	-	-	-	-	-	-	-	-	23	23	24	24	

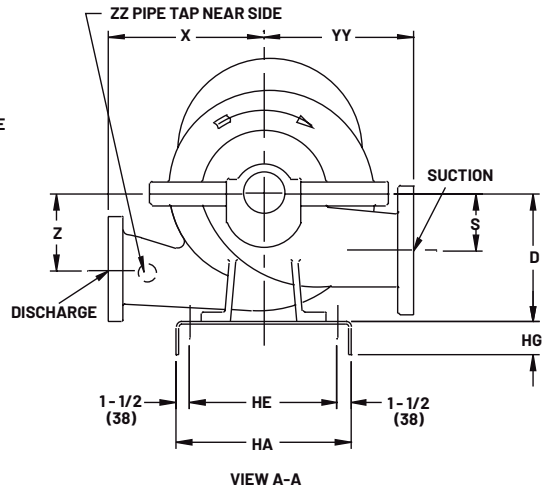
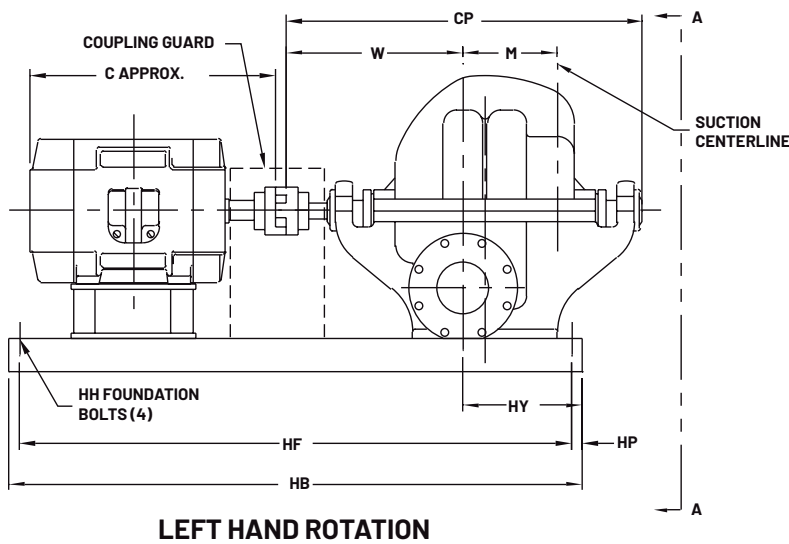
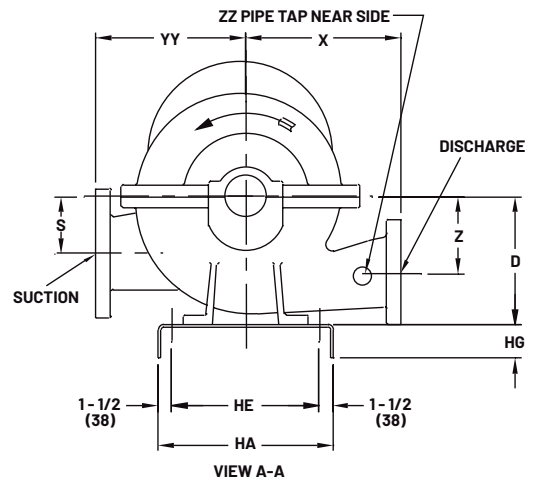
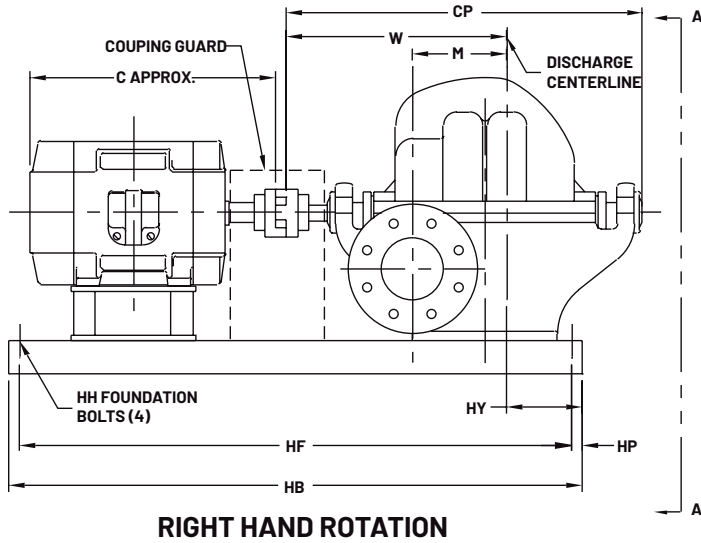
BASE	HA	HB	HE	HG	HH	HF	HP
11	18 (457)	48 (1219)	15 (381)	4 (101)	5/8 (15)	46 (1168)	1 (25)
12	18 (457)	54 (1371)	15 (381)	4 (101)	5/8 (15)	52 (1320)	1 (25)
13A	18 (457)	60 (1524)	15 (381)	4 (101)	5/8 (15)	58 (1473)	1 (25)
14A	18 (457)	65 (1651)	15 (381)	4 (101)	5/8 (15)	63 (1600)	1 (25)
15	22 (558)	60 (1524)	19 (482)	4 (101)	5/8 (15)	58 (1473)	1 (25)
16	22 (558)	72 (1828)	19 (482)	4 (101)	5/8 (15)	70 (1778)	1 (25)
17	22 (558)	84 (2133)	19 (482)	4 (101)	5/8 (15)	82 (2082)	1 (25)
23	26 (660)	84 (2133)	23 (584)	4-1/2 (114)	5/8 (15)	82 (2082)	1 (25)
24	26 (660)	96 (2438)	23 (584)	4-1/2 (114)	5/8 (15)	94 (2387)	1 (25)

NOTES:

- All dimensions are in inches.
 - Dimensions may vary $\pm 3/8"$.
 - Not for construction purposes unless certified.
 - Coupling gap may vary 1/8" thru 3".
 - Conduit box is shown in approximate location. Dimensions are not specified as they vary with each motor manufacturer.
 - Suction and discharge flanges are ANSI standard flat face.
 - Structural steel bases are used for pumps with motor frames larger than 449T (refer to factory).
- Indicates obsolete model.



MODEL 495 ON STEEL DRIP RIM BASE



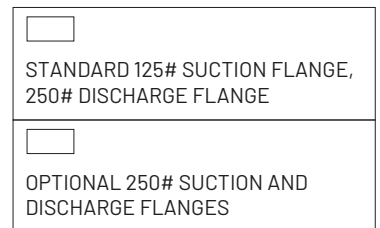
DISCH	MODEL	CASE BORE	SUCTION	D	M	S	PUMP SIZE				CP	RIGHT HAND		LEFT HAND		YY	ZZ	C APPROX	MOTOR FRAME	404TS	404T	405TS	405T	444TS	444T	445TS	445T	447TS	447T	449TS	449T
							RIGHT HAND W	LEFT HAND W	X	Z		RIGHT HAND HY	LEFT HAND HY	762	838					912	889	863	965	914	1016	1016	1117	1143	1244		
5	495	15	6	17 (431)	11 (279)	9 (228)	28-3/8 (720)	23-3/8 (593)	15 (381)	9 (228)	46-7/8 (1190)	13-1/2 (342)	18-1/2 (469)	15 (381)	1	(25)	Base	17	17	17	17	-	-	-	-	-	-	-	-	-	-
6	495	17	8	17-1/2 (444)	13 (330)	9 (228)	31-5/8 (803)	25-1/8 (638)	16-1/2 (419)	10-1/2 (266)	52-1/2 (1333)	12-3/4 (323)	19-1/4 (488)	16-1/2 (419)	1	(25)	Base	-	-	-	-	23	23	23	23	24	24	24	24	24	

BASE	HA	HB	HE	HG	HH	HF	HP
17	22 (558)	84 (2133)	19 (482)	4 (101)	5/8 (15)	82 (2082)	1 (25)
23	26 (660)	84 (2133)	23 (584)	4-1/2 (114)	5/8 (15)	82 (2082)	1 (25)
24	26 (660)	96 (2438)	23 (584)	4-1/2 (114)	5/8 (15)	94 (2387)	1 (25)

NOTES:

- All dimensions are in inches.
- Dimensions may vary $\pm 3/8"$.
- Not for construction purposes unless certified.
- Coupling gap may vary 1/8" thru 3".
- Conduit box is shown in approximate location. Dimensions are not specified as they vary with each motor manufacturer.
- Suction and discharge flanges are ANSI standard flat face.

■ Indicates obsolete model.





800 Airport Road | North Aurora, IL 60542 | PH: 630.859.7000 | pentair.com/aurora

All indicated Pentair trademarks and logos are property of Pentair. Third party registered and unregistered trademarks and logos are the property of their respective owners.

©2023 Pentair. All Rights Reserved.

AF-01-10-912-201-274 (12-06-23)