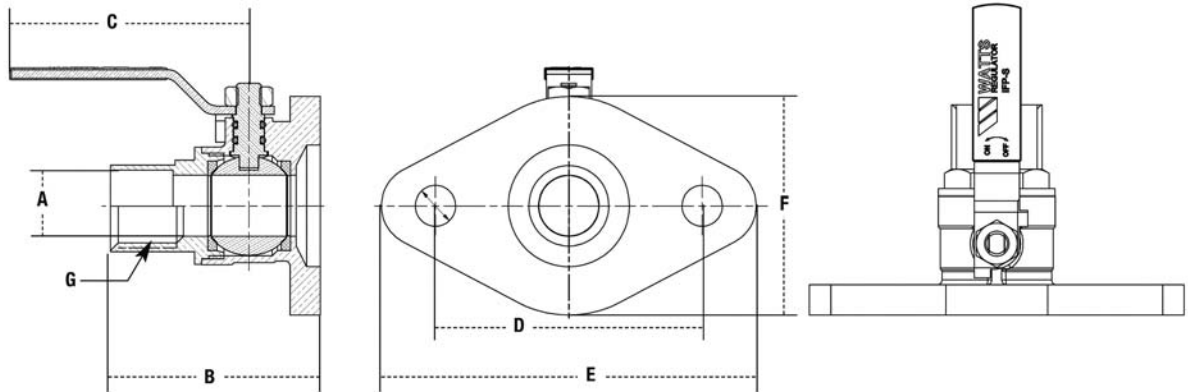


AURORA ACCESSORIES

WATTS ISOLATED FLANGES FOR CIRCULATOR PUMPS



MODEL	SIZE	A	B	C	D	E	F	G	WT
IPF-T	1/2" NPT	0.56 (14)	1.88 (49)	3.00 (77)	3.19 (80)	4.63 (118)	2.69 (69)	1/2" NPT	1.2 (.53)
IPF-T	3/4" NPT	0.75 (19)	2.13 (54)	3.00 (77)	3.19 (80)	4.63 (118)	2.69 (69)	3/4" NPT	1.3 (.61)
IPF-T	1" NPT	1.00 (25)	2.50 (63)	3.00 (77)	3.19 (80)	4.63 (118)	2.69 (69)	1" NPT	1.6 (.72)
IPF-T	1-1/4" NPT	1.25 (32)	2.81 (72)	4.00 (107)	3.19 (80)	4.63 (118)	2.69 (69)	1-1/4" NPT	2.1 (.97)
IPF-T	1-1/2" NPT	1.50 (40)	3.13 (79)	4.00 (107)	3.19 (80)	4.63 (118)	2.69 (69)	1-1/2" NPT	2.5 (1.13)
IPF-T	2" NPT	2.00 (50)	3.50 (90)	4.00 (107)	3.44 (87)	4.63 (118)	2.69 (69)	2" NPT	2.5 (1.16)
IPF-S	1/2" Solder End	0.50 (15)	1.88 (49)	3.00 (77)	3.19 (80)	4.63 (118)	2.69 (69)	-	1.2 (.53)
IPF-S	3/4" Solder End	0.75 (20)	2.13 (54)	3.00 (77)	3.19 (80)	4.63 (118)	2.69 (69)	-	1.3 (.61)
IPF-S	1" Solder End	1.00 (25)	2.50 (63)	3.00 (77)	3.19 (80)	4.63 (118)	2.69 (69)	-	1.6 (.72)
IPF-S	1-1/4" Solder End	1.25 (32)	2.81 (72)	4.00 (107)	3.19 (80)	4.63 (118)	2.69 (69)	-	2.1 (.97)
IPF-S	1-1/2" Solder End	1.50 (40)	3.13 (79)	4.00 (107)	3.19 (80)	4.63 (118)	2.69 (69)	-	2.5 (1.13)

Pressure rated 600 WOG ball valve with integral circulator flange.

NOTES:

1. All dimensions in inches (mm), lbs (kg)
2. Dimensions may vary plus minus 1/8 (3)
3. Maximum working pressure is 100 psi (6.9 Bar) at 406 deg F (208 deg C)
4. Pressure rated at 600 WOG
5. For additional information visit www.wattsreg.com