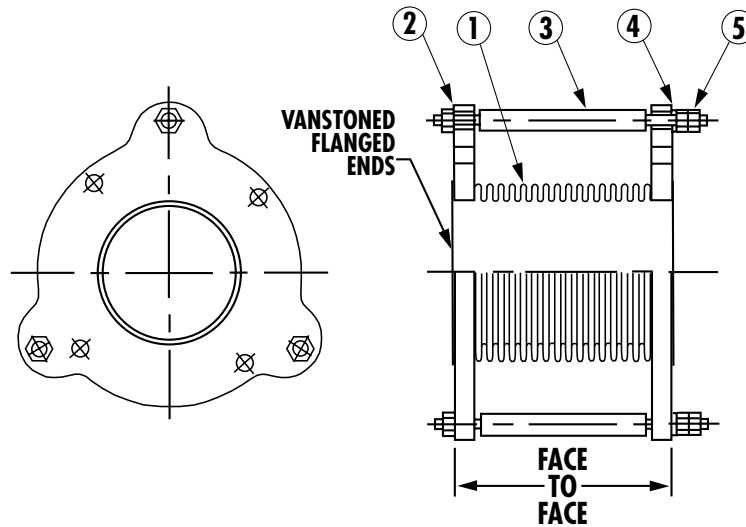


AURORA ACCESSORIES

1090 MULTI-PLY SERIES CONNECTORS

Section **1090** Page **201**

Dated **JULY 2002**



MODEL NUMBER	SIZE INS. (MM)	FACE TO FACE INS.	MAXIMUM COMP.	MAXIMUM EXT. INS.	MAXIMUM LAT.	NO. OF TIE RODS	WEIGHT LBS. (KG)
1090MPTR30200	2 (50)	6.00	.9	.2	.66	3	12 (5)
1090MPTR30250	2 1/2 (65)	6.00	.9	.2	.53	3	16 (7)
1090MPTR30300	3 (80)	6.00	.9	.2	.45	3	18 (8)
1090MPTR30400	4 (100)	6.00	1.0	.2	.39	3	28 (13)
1090MPTR30500	5 (125)	6.00	1.0	.2	.31	3	34 (15)
1090MPTR30600	6 (150)	6.00	1.0	.2	.26	3	43 (20)
1090MPTR30800	8 (200)	6.00	1.0	.2	.22	3	63 (29)
1090MPTR301000	10 (250)	8.00	1.4	.2	.33	3	93 (42)
1090MPTR301200	12 (300)	8.00	1.4	.2	.26	3	120 (54)
1090MPTR301400	14 (350)	8.00	1.4	.2	.26	3	160 (73)

LIST OF MATERIALS

ITEM	PART	MATERIAL
1	BELLOWS (2 PLY)	T304 S.S.
2	ANSI 150# FLANGE	CARBON STEEL
3	TIE RODS	AISI-1020
4	GROMMET	NEOPRENE
5	NUTS	AISI-1020

Operating Conditions

150°F	225 PSI
480°F*	110 PSI

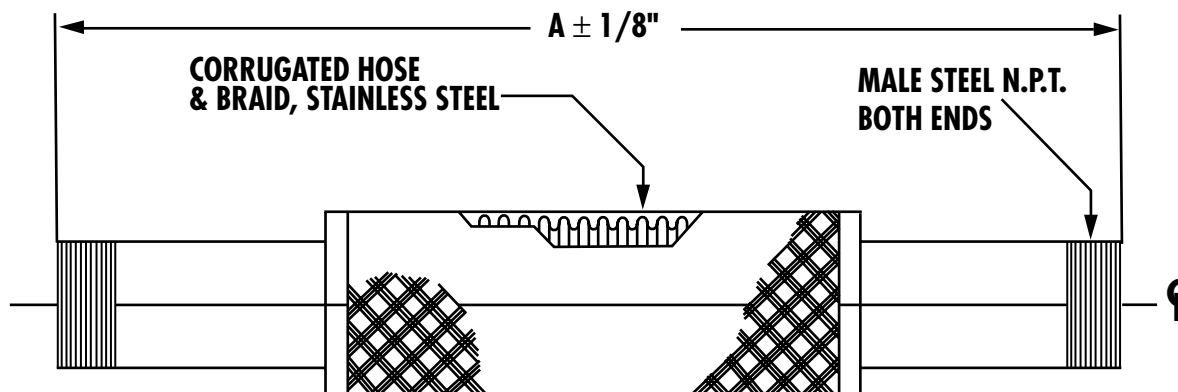
*Maximum Temperature

ap AURORA®
Pentair Pump Group

AURORA ACCESSORIES

1090 THREADED SERIES

CONNECTORS



MODEL NUMBER	PIPE SIZE INS. (MM)	A	MINIMUM CENTERLINE BEND RADIUS IN INS.	STAINLESS STEEL PSI @ 70° F*	WEIGHT APPROX. LBS. (KG)
1090SST0050	1/2 (13)	10.00	1.50	1304	1 (1/2)
1090SST0075	3/4 (19)	10.00	2.00	750	1 (1/2)
1090SST0100	1 (25)	10.00	2.75	605	1 (1/2)
1090SST0125	1 1/4 (32)	10.00	3.25	570	1 1/2 (1)
1090SST0150	1 1/2 (38)	12.00	3.75	525	2 (1)
1090SST0200	2 (51)	14.00	5.00	455	3 (1)
1090SST0250	2 1/2 (64)	16.00	7.00	345	4 (2)
1090SST0300	3 (76)	16.00	9.00	290	5 (2)

FOR TEMPERATURE ABOVE 70°F.	
TEMP. °F.	S.S.
70°	1.00
200°	.92
300°	.86
400°	.82
500°	.77
600°	.73

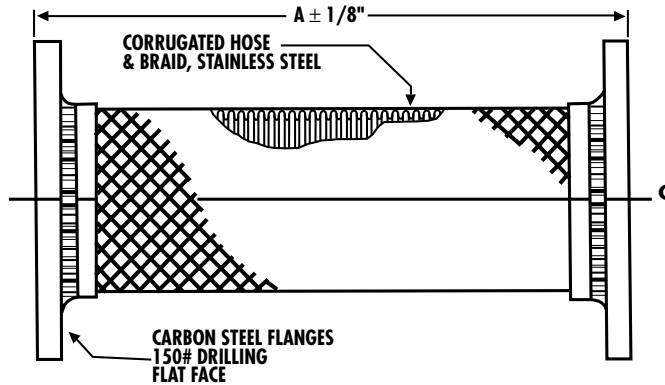
* For safe working pressure above 70°F. multiply pressure shown at 70°F. times correction factor of required temperature.

STANDARD MATERIALS

- Threaded connectors have pipe ends schedule 40 IPS and stainless steel hose and braid.
- Style SST stainless steel corrugated hose and braid connectors with steel male thread ends.
- Maximum intermittent offset from centerline .25".

1090 FLANGED SERIES
CONNECTORS

Dated **JULY 2002**



MODEL NUMBER	PIPE SIZE INS.	A	MINIMUM CENTERLINE BEND RADIUS IN INS.	PRESSURE @ 70°F.*	WEIGHT APPROX. LBS. (KG)
1090MMCC0200	2	9.00	5.00	455	9 (4)
1090MMCC0250	2 1/2	9.00	7.00	345	13 (6)
1090MMCC0300	3	9.00	9.00	289	14 (6)
1090MMCC0400	4	9.00	13.00	300	18 (8)
1090MMCC0500	5	11.00	18.00	220	25 (11)
1090MMCC0600	6	11.00	21.00	200	28 (13)
1090MMCC0800	8	12.00	26.00	190	52 (24)
1090MMCC1000	10	13.00	29.00	150	75 (34)
1090MMCC1200	12	14.00	33.00	125	105 (48)
1090MMCC1400	14	14.00	34.00	105	115 (52)

FOR TEMPERATURE ABOVE 70°F.	
TEMP. °F.	FACTOR
70°	1.00
200°	.92
300°	.86
400°	.82
500°	.77
600°	.73

*For safe working pressure above 70°F. multiply pressure shown at 70°F. times correction factor of required temperature.

STANDARD MATERIALS

- Connectors have carbon steel flanges and have 150# drilling flat face.
- Stainless steel connectors have corrugated hose and braid and stainless steel.
- Maximum permanent offset from centerline .38".
- Maximum intermittent offset from centerline .13".