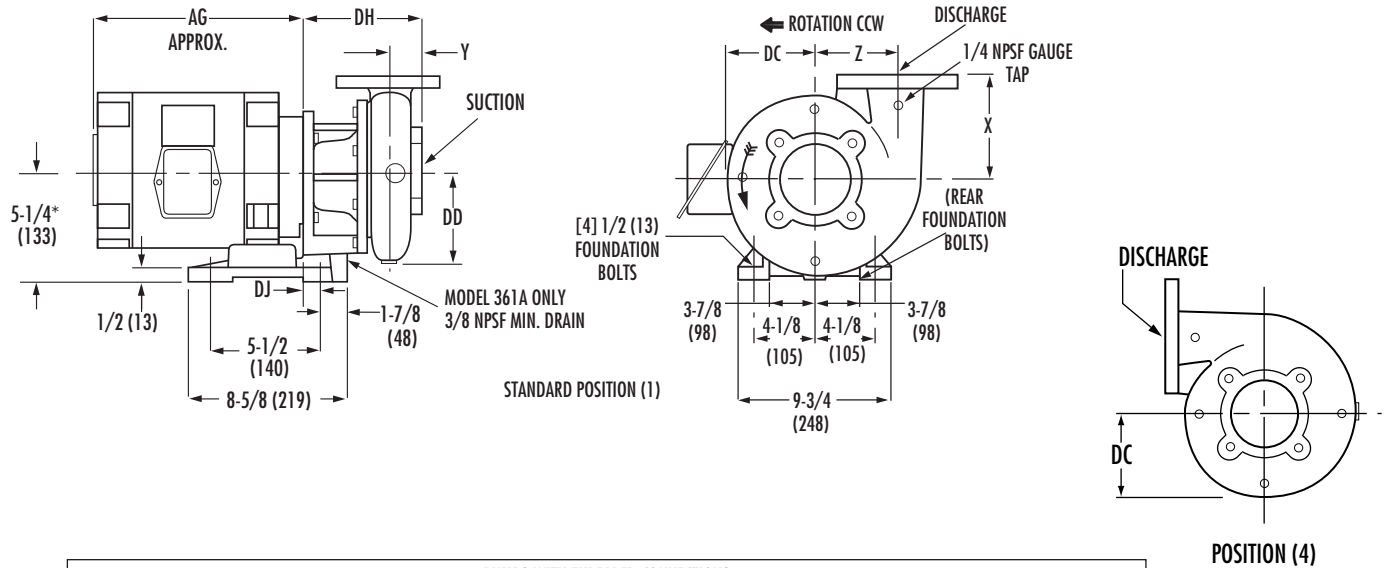


AURORA® MODEL 341A & 361A PUMPS

JM & JP MOTOR FRAMES

143 THROUGH 184



| PUMPS WITH THREADED CONNECTIONS | | | | | | | | | | | |
|---|---------|-----------|----------------|----------------|------------------|------------------|------------------|------------------|------------------|-------------|---------------|
| DISCHARGE | SUCTION | CASE BORE | X | Y | Z | DC | DD | DH | | DJ | |
| | | | | | | | | 341A | 361A | 341A | 361A |
| 1-1/4 | 1-1/2 | 7 | 5-1/4 (133) | 2-7/16 (62) | 4-3/16 (106) | 4-15/16 (125) | 5-3/16 (132) | 7-3/16 (183) | 10-1/4 (266) | | |
| 1-1/4 | 1-1/2 | 9 | 6-5/8 (168) | 2-9/16 (65) | 5-3/8 (136) | 6-3/16 (157) | 6-3/8 (162) | 7-1/4 (184) | 10-5/16 (261) | | |
| 1-1/2 | 2 | 7 | 5-3/8 (136) | 2-1/2 (63) | 4-5/16 (109) | 5-1/8 (130) | 5-3/8 (136) | 7-5/16 (186) | 10-3/8 (263) | | |
| 1-1/2 | 2 | 9 | 6-3/4 (171) | 2-5/8 (67) | 5-1/2 (140) | 6-5/16 (160) | 6-9/16 (167) | 7-3/8 (187) | 10-7/16 (262) | | |
| PUMPS WITH AM. STD. 125 LB. FLANGED CONNECTIONS | | | | | | | | | | | |
| 2 | 2-1/2 | 7 | 5-5/8 (143) | 1-7/8 (48) | 4-9/16 (116) | 5-3/8 (136) | 5-13/16 (148) | 6-13/16 (173) | 9-7/8 (250) | 5/8 (16) | 1-7/8 (48) |
| 2 | 2-1/2 | 9 | 7 (178) | 1-7/8 (48) | 5-11/16 (144) | 6-1/2 (165) | 6-7/8 (175) | 6-3/4 (171) | 9-13/16 (249) | | |
| 2-1/2 | 3 | 7 | 5-7/8 (149) | 2 (51) | 4-13/16 (122) | 5-13/16 (148) | 6-1/4 (159) | 7-1/16 (179) | 10-1/8 (257) | | |
| 2-1/2 | 3 | 9 | 7-1/4 (184) | 2 (51) | 5-15/16 (151) | 6-3/4 (171) | 7-1/4 (184) | 7 (178) | 10-1/16 (255) | | |
| 3 | 4 | 9 | 7-1/2 (190) | 2-1/8 (54) | 6-1/8 (156) | 6-7/8 (175) | 7-7/16 (189) | 7-1/4 (184) | 10-5/16 (261) | | |
| 4 | 4 | 7 | 6-1/2 (165) | 2-1/2 (63) | 5-1/2 (140) | 6-7/16 (163) | 7-5/16 (186) | 7-15/16 (202) | 11 (279) | | |
| 4 | 5 | 9A | 7-1/4 (184) | 3-1/8 (79) | 5-3/4 (146) | 6-11/16 (169) | 7-3/8 (187) | 8-3/8 (212) | 11-7/16 (290) | | |
| 4 | 5 | 9B | 7-3/4 (196) | 2-5/8 (66) | 6-5/8 (168) | 8-1/16 (204) | 8-11/16 (220) | 8 (203) | 11 (279) | | |

JM OR JP

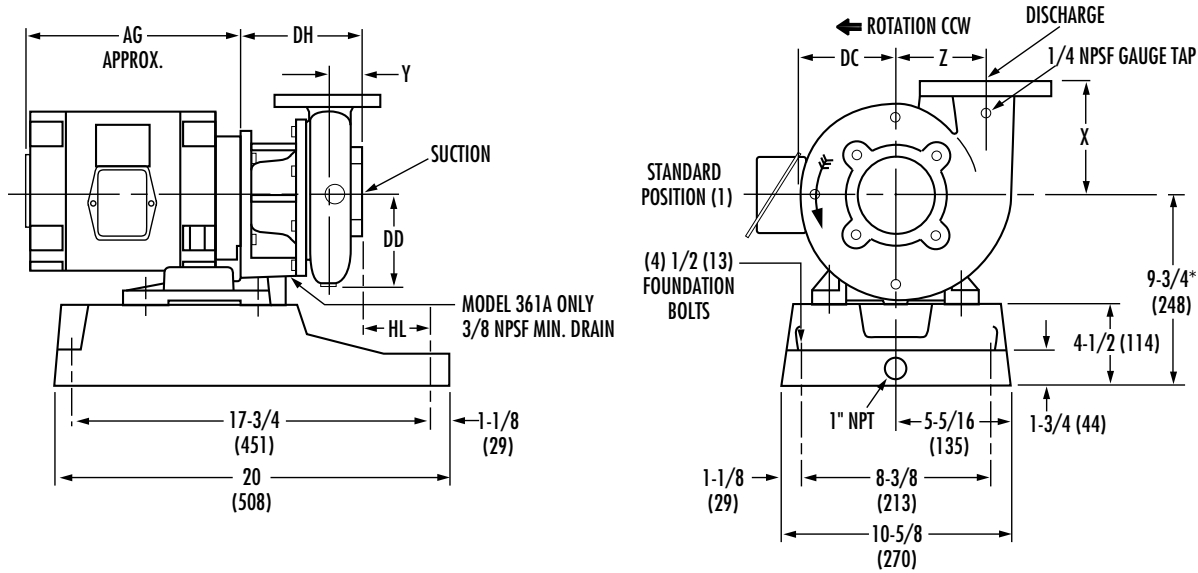
| FRAME | AG |
|-------|-------------|
| 143 | 10 (254) |
| 145 | 11 (279) |
| 182 | 11 (279) |
| 184 | 12 (305) |

NOTES:

- All dimensions in inches and (mm).
 - Dimensions may vary ± 1/4 (6).
 - Not for construction purposes unless certified.
 - Check discharge position. Casing dimension which exceed 5-1/4 (133) height may require pads for the support.
 - Conduit box is shown in approximate location. Dimensions are not specified as they vary with each motor manufacturer.
 - Model 341A uses JM motor frames.
Model 361A uses JP motor frames.
- * 6-1/4 (159) for 9 (229) case bore pumps (Model 341A only).

AURORA® MODEL 341A & 361A PUMPS

ON CAST IRON BASE JM & JP MOTOR FRAMES 143 THROUGH 184



| PUMPS WITH THREADED CONNECTIONS | | | | | | | | | | | |
|---|---------|-----------|-------------|-------------|---------------|---------------|---------------|---------------|---------------|-------------|--------------|
| DISCHARGE | SUCTION | CASE BORE | X | Y | Z | DC | DD | DH | | HL | |
| | | | | | | | | 341A | 361A | 341A | 361A |
| 1-1/4 | 1-1/2 | 7 | 5-1/4 (133) | 2-7/16 (62) | 4-3/16 (106) | 4-15/16 (125) | 5-3/16 (132) | 7-3/16 (183) | 10-1/4 (260) | 3-3/16 (81) | 1-3/8 (35) |
| 1-1/4 | 1-1/2 | 9 | 6-5/8 (168) | 2-9/16 (65) | 5-3/8 (136) | 6-3/16 (157) | 6-3/8 (162) | 7-1/4 (184) | 10-5/16 (262) | 3-1/8 (79) | 1-5/16 (33) |
| 1-1/2 | 2 | 7 | 5-3/8 (136) | 2-1/2 (63) | 4-5/16 (109) | 5-1/8 (130) | 5-3/8 (136) | 7-5/16 (186) | 10-3/8 (264) | 3-1/16 (78) | 1-1/4 (32) |
| 1-1/2 | 2 | 9 | 6-3/4 (171) | 2-5/8 (67) | 5-1/2 (140) | 6-5/16 (160) | 6-9/16 (167) | 7-3/8 (187) | 10-7/16 (265) | 3 (76) | 1-3/16 (30) |
| PUMPS WITH AM. STD. 125 LB. FLANGED CONNECTIONS | | | | | | | | | | | |
| 2 | 2-1/2 | 7 | 5-5/8 (143) | 1-7/8 (48) | 4-9/16 (116) | 5-3/8 (136) | 5-13/16 (148) | 6-13/16 (173) | 9-7/8 (251) | 3-9/16 (90) | 1-3/4 (44) |
| 2 | 2-1/2 | 9 | 7 (178) | 1-7/8 (48) | 5-11/16 (144) | 6-1/2 (165) | 6-7/8 (175) | 6-3/4 (171) | 9-13/16 (249) | 3-5/8 (92) | 1-13/16 (46) |
| 2-1/2 | 3 | 7 | 5-7/8 (149) | 2 (51) | 4-13/16 (122) | 5-13/16 (148) | 6-1/4 (159) | 7-1/16 (179) | 10-1/8 (257) | 3-5/16 (84) | 1-1/2 (38) |
| 2-1/2 | 3 | 9 | 7-1/4 (184) | 2 (51) | 5-15/16 (151) | 6-3/4 (171) | 7-1/4 (184) | 7 (178) | 10-1/16 (256) | 3-3/8 (86) | 1-9/16 (32) |
| 3 | 4 | 9 | 7-1/2 (190) | 2-1/8 (54) | 6-1/8 (156) | 6-7/8 (175) | 7-7/16 (189) | 7-1/4 (184) | 10-5/16 (262) | 3-1/8 (80) | 1-5/16 (33) |
| 4 | 4 | 7 | 6-1/2 (165) | 2-1/2 (63) | 5-1/2 (140) | 6-7/16 (163) | 7-5/16 (186) | 7-15/16 (202) | 11 (279) | 2-7/16 (62) | 5/8 (16) |

| JM OR JP | |
|----------|----------|
| FRAME | AG |
| 143 | 10 (254) |
| 145 | 11 (279) |
| 182 | 11 (279) |
| 184 | 12 (305) |

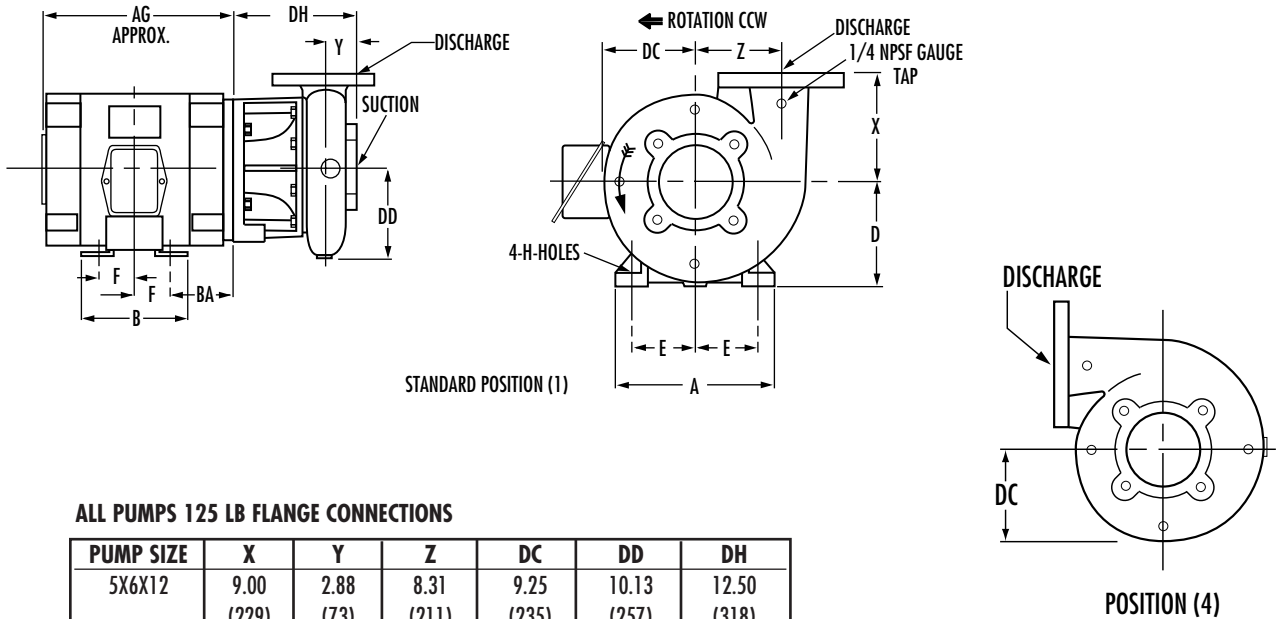
NOTES:

- All dimensions in inches and (mm).
 - Dimensions may vary ± 1/4 (6).
 - Not for construction purposes unless certified.
 - Conduit box is shown in approximate location. Dimensions are not specified as they vary with each motor manufacturer.
- * 10-3/4 (159) for 9 (229) case bore pumps (Model 341A only).

AURORA® MODEL 341A

5X6X12, 6X6X12
 364TCZ FRAME

Supersedes Section 340/360 Page 204
 Dated October 2003



ALL PUMPS 125 LB FLANGE CONNECTIONS

| PUMP SIZE | X | Y | Z | DC | DD | DH |
|-----------|---------------|--------------|---------------|---------------|----------------|----------------|
| 5X6X12 | 9.00 (229) | 2.88 (73) | 8.31 (211) | 9.25 (235) | 10.13 (257) | 12.50 (318) |
| 6X6X12B | 9.25 (235) | 3.13 (80) | 8.69 (221) | 9.69 (246) | 11.25 (286) | 14.25 (362) |

| MOTOR FRAME | 364TCZ | 365TCZ |
|-------------|----------------|----------------|
| A | 18.00 (457) | 18.00 (457) |
| B | 14.75 (375) | 15.75 (400) |
| D | 9.00 (229) | 9.00 (229) |
| E | 7.00 (178) | 7.00 (178) |
| F | 5.63 (143) | 6.13 (156) |
| H | 0.66 (17) | 0.66 (17) |
| AG approx. | 26 (660) | 28 (711) |
| BA | 5.88 (149) | 5.88 (149) |

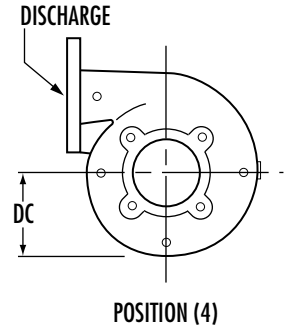
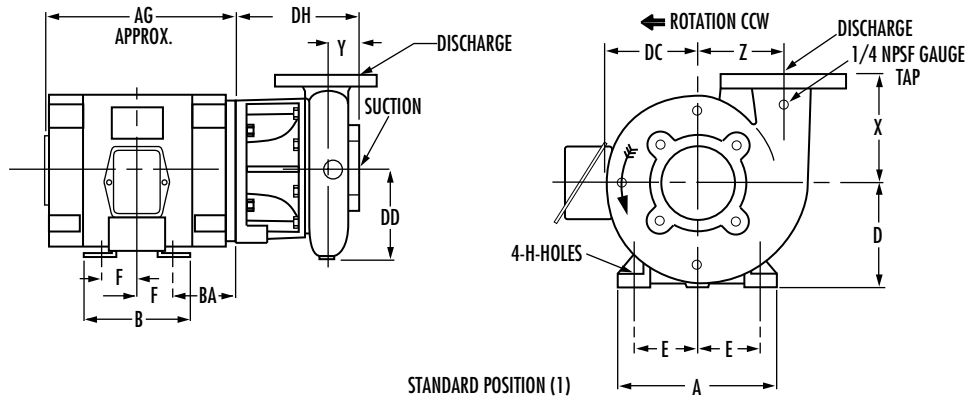
NOTES:

1. All dimensions in inches (mm), weight in pounds (KG).
2. Dimensions may vary $\pm 1/4"$ (6).
3. Not for construction purposes unless certified.
4. Conduit box is not specified as they vary with each motor manufacturer.

THIS PAGE LEFT INTENTIONALLY BLANK

AURORA® MODEL 341A & 361A PUMPS

JM & JP MOTOR FRAMES 213 THROUGH 326



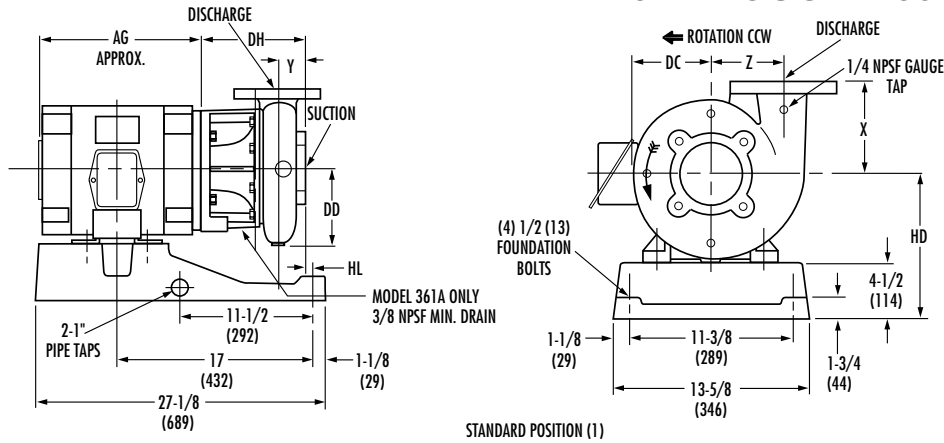
| PUMPS WITH THREADED CONNECTIONS | | | | | | | | DH | | | |
|---|---------|-----------|-------------|--------------|---------------|---------------|---------------|----------------|----------------|----------------|-----------------|
| DISCHARGE | SUCTION | CASE BORE | X | Y | Z | DC | DD | 341A | | 361A | |
| | | | | | | | | 213JM 215JM | 254JM 256JM | 284JM 326JM | 213JP- 326JP |
| 1-1/4 | 1-1/2 | 7 | 5-1/4 (133) | 2-7/16 (62) | 4-3/16 (106) | 4-15/16 (125) | 5-3/16 (132) | 7-3/16 (183) | N/A | N/A | N/A |
| 1-1/4 | 1-1/2 | 9 | 6-5/8 (168) | 2-9/16 (65) | 5-3/8 (136) | 6-3/16 (157) | 6-3/8 (162) | 7-1/4 (184) | N/A | N/A | N/A |
| 1-1/2 | 2 | 7 | 5-3/8 (136) | 2-1/2 (63) | 4-5/16 (109) | 5-1/8 (130) | 5-3/8 (136) | 7-5/16 (186) | N/A | N/A | N/A |
| 1-1/2 | 2 | 9 | 6-3/4 (171) | 2-5/8 (67) | 5-1/2 (140) | 6-5/16 (160) | 6-9/16 (167) | 7-3/8 (187) | 8-3/8 (213) | 8-3/8 (213) | 11-1/4 (286) |
| 1-1/2 | 2 | 11 | 9 (229) | 2-13/16 (71) | 6-1/8 (156) | 7-1/16 (179) | 7-1/4 (184) | 7-9/16 (192) | 8-9/16 (217) | 8-9/16 (217) | 11-7/16 (290) |
| 1-1/2 | 2 | 12 | 7-3/4 (197) | 2-3/4 (70) | 7-1/16 (179) | 8 (203) | 8-1/4 (210) | 7-5/8 (194) | 8-5/8 (219) | N/A | 11-1/2 (292) |
| PUMPS WITH ANSI 125 LB. FLANGED CONNECTIONS | | | | | | | | | | | |
| 2 | 2-1/2 | 7 | 5-5/8 (143) | 1-7/8 (48) | 4-9/16 (116) | 5-3/8 (136) | 5-13/16 (148) | 6-13/16 (173) | 7-13/16 (198) | N/A | 10-11/16 (271) |
| 2 | 2-1/2 | 9 | 7 (178) | 1-7/8 (48) | 5-11/16 (144) | 6-1/2 (165) | 6-7/8 (175) | 6-3/4 (171) | 7-3/4 (197) | 7-3/4 (197) | 10-5/8 (270) |
| 2 | 2-1/2 | 12 | 8 (203) | 1-7/8 (48) | 7-3/16 (183) | 8-3/16 (208) | 8-1/2 (216) | 6-7/8 (175) | 7-7/8 (200) | N/A | 10-3/4 (273) |
| 2 | 3 | 11 | 8 (203) | 2-3/8 (60) | 6-1/2 (165) | 7 (178) | 7-3/8 (187) | 7-1/2 (190) | 8-1/2 (216) | 8-1/2 (216) | 11-3/8 (289) |
| 2-1/2 | 3 | 7 | 5-7/8 (149) | 2 (51) | 4-13/16 (122) | 5-13/16 (148) | 6-1/4 (159) | 7-1/16 (179) | 8-1/16 (205) | N/A | 10-15/16 (278) |
| 2-1/2 | 3 | 9 | 7-1/4 (184) | 2 (51) | 5-15/16 (151) | 6-3/4 (213) | 7-1/4 (184) | 7 (171) | 8 (203) | 8 (203) | 10-7/8 (276) |
| 2-1/2 | 3 | 12 | 8-1/4 (210) | 2 (51) | 7-3/8 (187) | 8-3/8 (213) | 8-3/4 (213) | 7-1/8 (181) | 8-1/8 (206) | 8-1/8 (206) | 11 (279) |
| 3 | 4 | 9 | 7-1/2 (190) | 2-1/8 (54) | 6-1/8 (156) | 6-7/8 (175) | 7-7/16 (189) | 7-1/4 (184) | 8-1/4 (210) | 8-1/4 (210) | 11-1/8 (283) |
| 3 | 4 | 11 | 9 (229) | 2-3/4 (70) | 7 (179) | 7-9/16 (192) | 8-3/16 (208) | 8-3/16 (208) | 9-3/16 (233) | 9-3/16 (233) | 12-1/16 (306) |
| 3 | 4 | 12 | 8-1/2 (216) | 2-1/8 (54) | 7-9/16 (192) | 8-7/16 (214) | 8-15/16 (227) | 7-5/8 (194) | 8-5/8 (219) | 8-5/8 (219) | 11-1/4 (286) |
| 4 | 4 | 7 | 6-1/2 (165) | 2-1/2 (63) | 5-1/2 (140) | 6-7/16 (163) | 7-5/16 (186) | 7-15/16 (202) | 8-15/16 (227) | 8-15/16 (227) | 11-13/16 (300) |
| 4 | 5 | 9A | 7-1/4 (184) | 3-1/8 (79) | 5-3/4 (146) | 6-11/16 (170) | 7-3/8 (187) | 8-3/8 (213) | 9-3/8 (238) | 9-3/8 (238) | 12-1/4 (311) |
| 4 | 5 | 9B | 7-3/4 (197) | 2-5/8 (67) | 6-5/8 (168) | 8-1/16 (205) | 8-11/16 (221) | 8 (203) | 9 (229) | N/A | 11-7/8 (302) |
| 4 | 5 | 11 | 9 (229) | 3 (76) | 7-1/4 (184) | 7-15/16 (202) | 8-11/16 (221) | 8-5/8 (219) | 9-5/8 (244) | 9-5/8 (244) | 12-1/2 (317) |
| 4 | 5 | 12 | 8-3/4 (222) | 2-5/8 (67) | 7-15/16 (202) | 8-7/8 (225) | 9-9/16 (243) | N/A | 9-3/8 (238) | 9-3/8 (238) | 12 (305) |
| 5 | 6 | 11 | 9 (229) | 3-1/8 (79) | 8-1/16 (205) | 8-11/16 (221) | 10-1/8 (257) | 9-1/8 (232) | 10-1/8 (257) | 10-1/8 (259) | 13 (330) |
| 5 | 6 | 12 | 9 (229) | 2-7/8 (73) | 8-5/16 (211) | 9-1/4 (235) | 10-1/8 (257) | N/A | 9-7/8 (251) | 9-7/8 (251) | 12-1/2 (317) |
| 6 | 6 | 9 | 8-1/4 (210) | 2-3/4 (70) | 7 (178) | 8 (203) | 9 (229) | 8-1/4 (210) | 9-1/4 (235) | N/A | 12-1/8 (308) |
| 6 | 6 | 11 | 9-1/4 (235) | 3-1/8 (79) | 8-11/16 (221) | 9-11/16 (246) | 11-1/4 (286) | 9-7/8 (251) | 10-3/8 (264) | 10-3/8 (264) | 13 (330) |
| 6 | 6 | 12 | 9-1/4 (235) | 3-1/8 (79) | 8-11/16 (221) | 9-11/16 (246) | 11-1/4 (286) | N/A | 10-3/8 (264) | 10-3/8 (264) | 13 (330) |

NOTES:

- All dimensions in inches and (mm).
- Dimensions may vary ± 1/4 (6).
- Not for construction purposes unless certified.
- N/A = Not Applicable.
- Check discharge position, casing dimensions which exceed dimension "D" may require pads for the motor.
- Conduit box is shown in approximate location. Dimensions are not specified as they vary with each motor manufacturer.

JM OR JP MOTOR FRAMES

| FRAME | 213 | 215 | 254 | 256 | 284 | 286 | 324 | 326 |
|------------|--------------|--------------|--------------|--------------|-------------|-------------|--------------|--------------|
| A | 10-1/2 (267) | 10-1/2 (267) | 12-1/2 (317) | 12-1/2 (317) | 14 (356) | 14 (356) | 16 (406) | 16 (406) |
| B | 7-1/2 (190) | 9 (229) | 10-3/4 (273) | 12-1/2 (317) | 14 (356) | 14 (356) | 15-1/2 (394) | 15-1/2 (394) |
| D | 5-1/4 (133) | 5-1/4 (133) | 6-1/4 (159) | 6-1/4 (159) | 7 (178) | 7 (178) | 8 (203) | 8 (203) |
| E | 4-1/4 (108) | 4-1/4 (108) | 5 (127) | 5 (127) | 5-1/2 (140) | 5-1/2 (140) | 6-1/4 (159) | 6-1/4 (159) |
| F | 2-3/4 (70) | 3-1/2 (89) | 4-1/8 (111) | 5 (127) | 5-1/2 (140) | 5-1/2 (140) | 5-1/4 (133) | 6 (152) |
| H | 13/32 (10) | 13/32 (10) | 17/32 (13) | 17/32 (13) | 17/32 (13) | 17/32 (13) | 21/32 (16) | 21/32 (16) |
| AG APPROX. | 14 (356) | 15 (381) | 17-1/2 (444) | 19 (483) | 19 (483) | 21 (533) | 22 (359) | 23 (584) |
| BA | 4-1/2 (114) | 4-1/2 (114) | 5 (127) | 5 (127) | 5 (127) | 5 (127) | 5-1/2 (140) | 5-1/2 (140) |



JM OR JP

| FRAME | AG |
|-------|-------------|
| 213 | 14 (355) |
| 215 | 15 (381) |
| 254 | 17 (431) |
| 256 | 19 (355) |

| PUMPS WITH THREADED CONNECTIONS | | | | | | | | | | DH | | | HD | | HL | | |
|---|---------|-----------|----------------|-----------------|------------------|------------------|------------------|------------------|------------------|-------------------|-----------------|-----------------|-----------------|----------------|-----------------|-------|-------|
| DISCHARGE | SUCTION | CASE BORE | X | Y | Z | DC | DD | 341A | | 361A | 213 | 254 | 341A | | 213JM | 254JM | 213JP |
| | | | | | | | | 213JM | 254JM | 213JP- | | | 213 | 254 | | | |
| | | | | | | | | 215JM | 256JM | 256JP | | | 215 | 256 | | | |
| 1 1/4 | 1 1/2 | 7 | 5-1/4 (133) | 2-7/16 (62) | 4-3/16 (106) | 4-15/16 (125) | 5-3/16 (132) | 7-3/16 (183) | N/A | N/A | 9-3/4* (248) | N/A | 1-15/16 (49) | N/A | N/A | N/A | N/A |
| 1-1/4 | 1-1/2 | 9 | 6-5/8 (168) | 2-9/16 (65) | 5-3/8 (137) | 6-3/16 (157) | 6-3/8 (162) | 7-1/4 (184) | N/A | N/A | 9-3/4* (248) | N/A | 1-7/8 (48) | N/A | N/A | N/A | N/A |
| 1-1/2 | 2 | 7 | 5-3/8 (137) | 2-1/2 (64) | 4-5/16 (110) | 5-1/8 (130) | 5-3/8 (137) | 7-5/16 (186) | N/A | N/A | 9-3/4* (248) | N/A | 1-13/16 (46) | N/A | N/A | N/A | N/A |
| 1-1/2 | 2 | 9 | 6-3/4 (171) | 2-5/8 (67) | 5-1/2 (140) | 6-5/16 (160) | 6-9/16 (167) | 7-3/8 (187) | 8-3/8 (213) | 11-1/4 (286) | 9-3/4 (248) | 10-3/4 (273) | 1-3/4 (44) | 3/4 (19) | 2-1/8 (54) | N/A | N/A |
| 1-1/2 | 2 | 11 | 9 (229) | 2-13/16 (71) | 6-1/8 (156) | 7-1/16 (179) | 7-1/4 (184) | 7-9/16 (192) | N/A | 11-7/16 (291) | 9-3/4 (248) | N/A | 1-1/2 (38) | N/A | 2-3/8 (60) | N/A | N/A |
| 1-1/2 | 2 | 12 | 7-3/4 (197) | 2-3/4 (70) | 7-1/16 (179) | 8 (203) | 8-1/4 (210) | 7-5/8 (194) | 8-5/8 (219) | 11-1/2 (292) | 10-1/2 (267) | 10-3/4 (273) | 1-1/2 (38) | 1/2 (13) | 2-3/8 (60) | N/A | N/A |
| PUMPS-WITH-ANSI-125-LB.-FLANGED-CONNECTIONS | | | | | | | | | | | | | | | | | |
| 2 | 2-1/2 | 7 | 5-5/8 (143) | 1-7/8 (48) | 4-9/16 (116) | 5-3/8 (137) | 5-13/16 (148) | 6-13/16 (173) | 7-13/16 (198) | 10-11/16 (271) | 9-3/4 (248) | 10-3/4 (273) | 2-5/16 (59) | 1-5/16 (33) | 1-9/16 (40) | N/A | N/A |
| 2 | 2-1/2 | 9 | 7 (178) | 1-7/8 (48) | 5-11/16 (144) | 6-1/2 (165) | 6-7/8 (175) | 6-3/4 (171) | 7-3/4 (197) | 10-5/8 (270) | 9-3/4 (248) | 10-3/4 (273) | 2-3/8 (60) | 1-3/8 (35) | 1-1/2 (38) | N/A | N/A |
| 2 | 2-1/2 | 12 | 8 (203) | 1-7/8 (48) | 7-3/16 (183) | 8-3/16 (208) | 8-1/2 (216) | 6-7/8 (175) | 7-7/8 (200) | 10-3/4 (273) | 10-1/2 (267) | 10-3/4 (273) | 2-1/4 (57) | 1-1/4 (32) | 1-5/8 (41) | N/A | N/A |
| 2 | 3 | 11 | 8 (203) | 2-3/8 (60) | 6-1/2 (165) | 7 (178) | 7-3/8 (187) | 7-1/2 (191) | 8-1/2 (216) | 11-3/8 (289) | 9-3/4 (248) | 10-3/4 (273) | 1-1/2 (38) | 1/2 (13) | 2-1/16 (52) | N/A | N/A |
| 2-1/2 | 3 | 7 | 5-7/8 (149) | 2 (51) | 4-13/16 (122) | 5-13/16 (148) | 6-1/4 (159) | 7-1/16 (179) | 8-1/16 (205) | 10-15/16 (278) | 9-3/4 (248) | 10-3/4 (273) | 2-1/16 (52) | 1-1/16 (27) | 1-13/16 (46) | N/A | N/A |
| 2-1/2 | 3 | 9 | 7-1/4 (184) | 2 (51) | 5-15/16 (151) | 6-3/4 (171) | 7-1/4 (184) | 7 (178) | 8 (203) | 10-7/8 (276) | 9-3/4 (248) | 10-3/4 (273) | 2-1/8 (54) | 1-1/8 (29) | 1-3/4 (44) | N/A | N/A |
| 2-1/2 | 3 | 12 | 8-1/4 (210) | 2 (51) | 7-3/8 (187) | 8-3/8 (213) | 8-3/4 (222) | 7-1/8 (181) | 8-1/8 (206) | 11 (279) | 10-1/2 (267) | 10-3/4 (273) | 2 (51) | 1 (25) | 1-7/8 (48) | N/A | N/A |
| 3 | 4 | 9 | 7-1/2 (191) | 2-1/8 (54) | 6-1/8 (156) | 6-7/8 (175) | 7-7/16 (189) | 7-1/4 (184) | 8-1/4 (210) | 11-1/8 (283) | 9-3/4 (248) | 10-3/4 (273) | 1-7/8 (48) | 7/8 (22) | 2 (51) | N/A | N/A |
| 3 | 4 | 11 | 9 (229) | 2-3/4 (70) | 7 (178) | 7-9/16 (192) | 8-3/16 (208) | 8-3/16 (208) | 9-3/16 (233) | 12-1/16 (306) | 10-1/2 (267) | 10-3/4 (273) | 13/16 (20) | 0 | 2-3/4 (70) | N/A | N/A |
| 3 | 4 | 12 | 8-1/2 (216) | 2-1/8 (54) | 7-9/16 (192) | 8-7/16 (214) | 8-15/16 (227) | 7-5/8 (194) | 8-5/8 (219) | 11-1/4 (286) | 10-1/2 (267) | 10-3/4 (273) | 1-3/4 (44) | 3/4 (19) | 2-1/8 (54) | N/A | N/A |
| 4 | 4 | 7 | 6-1/2 (165) | 2-1/2 (64) | 5-1/2 (140) | 6-7/16 (164) | 7-5/16 (186) | 7-15/16 (202) | 8-15/16 (227) | 11-13/16 (300) | 9-3/4 (248) | 10-3/4 (273) | 1-3/16 (30) | 3/16 (4) | 2-11/16 (68) | N/A | N/A |
| 4 | 5 | 9A | 7-1/4 (184) | 3-1/8 (79) | 5-3/4 (146) | 6-11/16 (170) | 7-3/8 (187) | 8-3/8 (213) | N/A | 12-1/4 (311) | 9-3/4 (248) | N/A | 3/4 (19) | N/A | 3-1/8 (79) | N/A | N/A |
| 4 | 5 | 9B | 7-3/4 (197) | 2-5/8 (67) | 6-5/8 (168) | 8-1/16 (205) | 8-11/16 (221) | 8 (203) | 9 (229) | 11-7/8 (302) | 10-1/2 (267) | 10-3/4 (273) | 1-1/8 (29) | 1/8 (3) | 2-3/4 (70) | N/A | N/A |
| 4 | 5 | 11 | 9 (229) | 3 (76) | 7-1/4 (184) | 7-15/16 (202) | 8-11/16 (221) | 8-5/8 (219) | 9-5/8 (244) | 12-1/2 (318) | 11-1/4 (286) | 11-1/2 (292) | 3/8 (10) | 0 | 3-3/16 (81) | N/A | N/A |
| 4 | 5 | 12 | 8-3/4 (222) | 2-5/8 (67) | 7-15/16 (202) | 8-7/8 (225) | 9-9/16 (243) | N/A | 9-9/8 (238) | 12 (305) | N/A | 10-3/4 (273) | N/A | 0 | 2-7/8 (73) | N/A | N/A |
| 5 | 6 | 11 | 9 (229) | 3-1/8 (79) | 8-1/16 (205) | 8-11/16 (221) | 10-1/8 (257) | 9-1/8 (232) | 10-1/8 (257) | 13 (330) | 12-1/4 (311) | 12-1/4 (311) | 0 | 0 | 3-11/16 (94) | N/A | N/A |
| 6 | 6 | 9 | 8-1/4 (210) | 2-3/4 (70) | 7 (178) | 8 (203) | 9 (229) | 8-1/4 (210) | 9-1/4 (235) | 12-1/8 (308) | 10-1/2 (267) | 10-3/4 (273) | 7/8 (22) | 0 | 3 (76) | N/A | N/A |

NOTES:

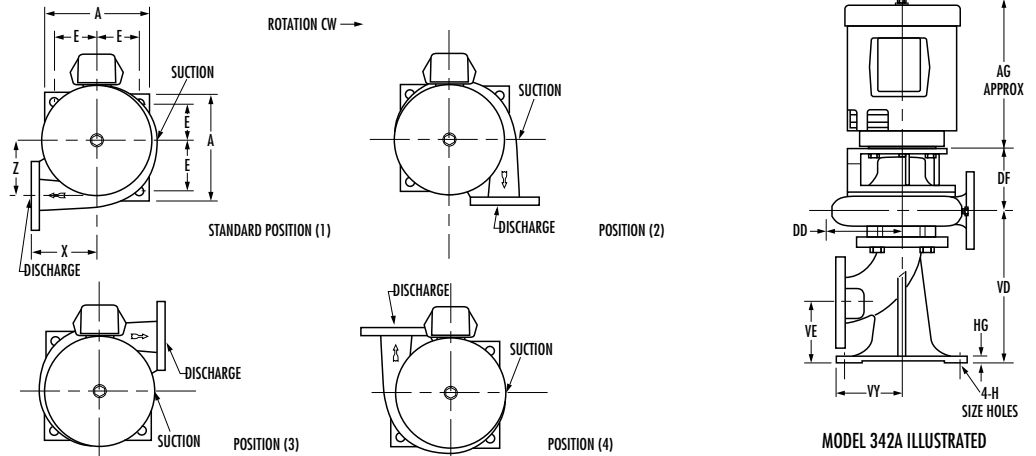
- All dimensions in inches and (mm).
- Dimensions may vary ± 1/4 (6).
- Not for construction purposes unless certified.
- N/A = Not Applicable.
- Conduit box is shown in approximate location. Dimensions are not specified as they vary with each motor manufacturer.

AURORA® MODEL 342A & 362A PUMPS

JM OR JP

| FRAME | AG |
|-------|-------------|
| 143 | 10 (254) |
| 145 | 11 (276) |
| 182 | 11 (276) |
| 184 | 12 (304) |
| 213 | 14 (255) |
| 215 | 15 (381) |
| 254 | 17 (431) |
| 256 | 19 (482) |
| 284 | 19 (482) |
| 286 | 21 (533) |
| 324 | 22 (558) |
| 326 | 23 (584) |

JM & JP MOTOR FRAMES 143 THROUGH 326



PUMPS WITH FLANGED SUCTION CONNECTIONS AND THREADED DISCHARGE CONNECTIONS

| DISCHARGE | SUCTION | CASE BORE | A | E | H | X | Z | DD | 342A DF | | | | 362A DF | | HG | VD | VE | VY |
|-----------|---------|-----------|-------------|----------------|-------------|----------------|-----------------|-----------------|------------------|----------------|----------------|------------------|----------------|-------------|------------------|----------------|----------------|----|
| | | | | | | | | | 143JM 215JM | 254JM 256JM | 284JM 326JM | 143JP 184JP | 213JP 326JP | | | | | |
| 1-1/4 | 1-1/2 | 7 | 9 (228) | 3-3/4 (95) | 5/8 (16) | 5-1/4 (133) | 4-3/16 (106) | 5-3/16 (132) | 4-3/4 (121) | N/A | N/A | 7-13/16 (198) | N/A | 1/2 (13) | 9-3/8 (238) | 3-3/4 (95) | 4 (102) | |
| 1-1/4 | 1-1/2 | 9 | 9 (228) | 3-3/4 (95) | 5/8 (16) | 6-5/8 (168) | 5-3/8 (137) | 6-3/8 (162) | 4-11/16 (119) | N/A | N/A | 7-3/4 (197) | N/A | 1/2 (13) | 9-3/8 (238) | 3-3/4 (95) | 4 (102) | |
| 1-1/2 | 2 | 7 | 10 (254) | 4-1/8 (105) | 3/4 (19) | 5-3/8 (137) | 4-5/16 (110) | 5-3/8 (137) | 4-13/16 (122) | N/A | N/A | 7-7/8 (200) | N/A | 1/2 (13) | 10-5/16 (262) | 4-1/8 (105) | 4-1/2 (114) | |
| 1-1/2 | 2 | 9 | 10 (254) | 4-1/8 (105) | 3/4 (19) | 6-3/4 (171) | 5-1/2 (140) | 6-9/16 (167) | 4-3/4 (121) | 5-3/4 (146) | N/A | 7-13/16 (198) | 8-5/8 (219) | 1/2 (13) | 10-5/16 (262) | 4-1/8 (105) | 4-1/2 (114) | |
| 1-1/2 | 2 | 11 | 10 (254) | 4-1/8 (105) | 3/4 (19) | 9 (229) | 6-1/8 (156) | 7-1/4 (184) | 4-3/4 (121) | N/A | N/A | N/A | 8-5/8 (219) | 1/2 (13) | 10-1/2 (267) | 4-1/8 (105) | 4-1/2 (114) | |
| 1-1/2 | 2 | 12 | 10 (254) | 4-1/8 (105) | 3/4 (19) | 7-3/4 (197) | 7-1/16 (179) | 8-1/4 (210) | 4-7/8 (124) | 5-7/8 (149) | N/A | N/A | 8-3/4 (222) | 1/2 (13) | 10-7/16 (265) | 4-1/8 (105) | 4-1/2 (114) | |

PUMPS WITH ANSI-LB.-FLANGED CONNECTIONS

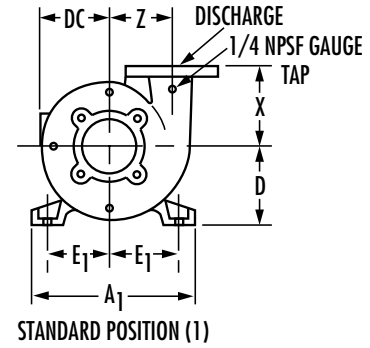
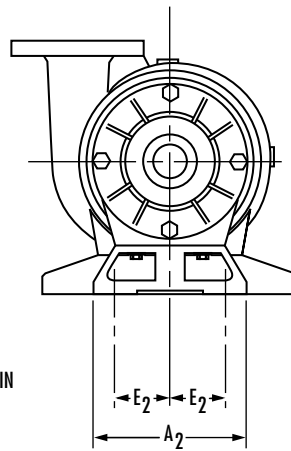
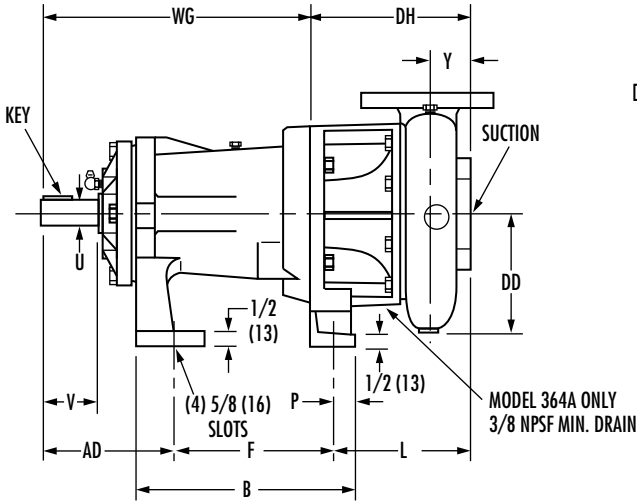
| | | | | | | | | | | | | | | | | | |
|-------|-------|----|-----------------|----------------|-------------|----------------|------------------|------------------|------------------|------------------|-----------------|------------------|------------------|-------------|-------------------|----------------|----------------|
| 2 | 2-1/2 | 7 | 10 (254) | 4-1/8 (105) | 3/4 (19) | 5-5/8 (143) | 4-9/16 (116) | 5-13/16 (148) | 4-15/16 (125) | 5-15/16 (151) | N/A | 8 (203) | 8-13/16 (224) | 1/2 (13) | 11-7/16 (291) | 4-1/2 (114) | 5 (127) |
| 2 | 2-1/2 | 9 | 10 (254) | 4-1/8 (105) | 3/4 (19) | 7 (178) | 5-11/16 (144) | 6-7/8 (175) | 4-7/8 (124) | 5-7/8 (149) | 5-7/8 (149) | 7-15/16 (202) | 8-3/4 (222) | 1/2 (13) | 11-7/16 (291) | 4-1/2 (114) | 5 (127) |
| 2 | 2-1/2 | 12 | 10 (254) | 4-1/8 (105) | 3/4 (19) | 8 (203) | 7-3/16 (183) | 8-1/2 (216) | 5 (127) | 6 (152) | N/A | N/A | 8-7/8 (225) | 1/2 (13) | 11-7/16 (291) | 4-1/2 (114) | 5 (127) |
| 2 | 3 | 11 | 13-1/2 (342) | 5-3/4 (146) | 3/4 (19) | 8 (203) | 6-1/2 (165) | 7-3/8 (187) | 5-1/8 (130) | 6-1/8 (156) | 6-1/8 (156) | N/A | 8-5/8 (219) | 1/2 (13) | 12-7/8 (327) | 5 (127) | 5-1/2 (140) |
| 2-1/2 | 3 | 7 | 13-1/2 (342) | 5-3/4 (146) | 3/4 (19) | 5-7/8 (149) | 4-13/16 (122) | 6-1/4 (159) | 5-1/16 (129) | 6-1/16 (154) | N/A | 8-1/8 (206) | 8-15/16 (227) | 1/2 (13) | 12-9/16 (319) | 5 (127) | 5-1/2 (140) |
| 2-1/2 | 3 | 9 | 13-1/2 (342) | 5-3/4 (146) | 3/4 (19) | 7-1/4 (184) | 5-15/16 (151) | 7-1/4 (184) | 5 (127) | 6 (152) | 6 (152) | 8-1/16 (205) | 8-7/8 (225) | 1/2 (13) | 12-9/16 (319) | 5 (127) | 5-1/2 (140) |
| 2-1/2 | 3 | 12 | 13-1/2 (342) | 5-3/4 (146) | 3/4 (19) | 8-1/4 (210) | 7-3/8 (187) | 8-3/4 (222) | 5-1/8 (130) | 6-1/8 (156) | 6-1/8 (156) | N/A | 9 (229) | 1/2 (13) | 12-9/16 (319) | 5 (127) | 5-1/2 (140) |
| 3 | 4 | 9 | 13-1/2 (342) | 5-3/4 (146) | 3/4 (19) | 7-1/2 (191) | 6-1/8 (156) | 7-7/16 (189) | 5-1/8 (130) | 6-1/8 (156) | 6-1/8 (156) | 8-3/16 (208) | 9 (229) | 5/8 (16) | 14-11/16 (373) | 6 (152) | 6-1/2 (165) |
| 3 | 4 | 11 | 13-1/2 (342) | 5-3/4 (146) | 3/4 (19) | 9 (229) | 7 (178) | 8-3/16 (208) | 5-7/16 (138) | 6-7/16 (164) | 6-7/16 (164) | N/A | 9-1/8 (232) | 5/8 (16) | 15-1/4 (387) | 6 (152) | 6-1/2 (165) |
| 3 | 4 | 12 | 13-1/2 (342) | 5-3/4 (146) | 3/4 (19) | 8-1/2 (216) | 7-9/16 (192) | 8-15/16 (227) | 5-1/2 (140) | 6-1/2 (165) | 6-1/2 (165) | N/A | 9-1/8 (232) | 5/8 (16) | 14-11/16 (373) | 6 (152) | 6-1/2 (165) |
| 4 | 4 | 7 | 13-1/2 (342) | 5-3/4 (146) | 3/4 (19) | 6-1/2 (165) | 5-1/2 (140) | 7-5/16 (186) | 5-7/16 (138) | 6-7/16 (164) | N/A | 8-1/2 (216) | 9-5/16 (237) | 5/8 (16) | 14-15/16 (379) | 6 (152) | 6-1/2 (165) |
| 4 | 5 | 9A | 15 (381) | 6-3/8 (162) | 7/8 (22) | 7-1/4 (184) | 5-3/4 (146) | 7-3/8 (187) | 5-1/4 (133) | 6-1/4 (159) | 6-1/4 (159) | N/A | 9-1/8 (232) | 3/4 (19) | 17-3/16 (437) | 6-1/2 (165) | 7-1/2 (191) |
| 4 | 5 | 9B | 15 (381) | 6-3/8 (162) | 7/8 (22) | 7-3/4 (197) | 6-5/8 (168) | 8-11/16 (221) | 5-3/8 (137) | 6-3/8 (162) | N/A | N/A | 9-1/4 (235) | 3/4 (19) | 16-11/16 (424) | 6-1/2 (165) | 7-1/2 (191) |
| 4 | 5 | 11 | 15 (381) | 6-3/8 (162) | 7/8 (22) | 9 (229) | 7-1/4 (184) | 8-11/16 (221) | 5-5/8 (143) | 6-5/8 (168) | 6-5/8 (168) | N/A | 9-1/4 (235) | 3/4 (19) | 17 (432) | 6-1/2 (165) | 7-1/2 (191) |
| 4 | 5 | 12 | 15 (381) | 6-3/8 (162) | 7/8 (22) | 8-3/4 (222) | 7-15/16 (202) | 9-9/16 (243) | N/A | 6-3/4 (171) | 6-3/4 (171) | N/A | 9-3/8 (238) | 3/4 (19) | 16-11/16 (424) | 6-1/2 (165) | 7-1/2 (191) |
| 5 | 6 | 11 | 15 (381) | 6-3/8 (162) | 7/8 (22) | 9 (229) | 8-1/16 (205) | 10-1/8 (257) | 6 (152) | 7 (178) | 7 (178) | N/A | 9-5/8 (244) | 3/4 (19) | 18-1/8 (460) | 7 (178) | 8 (203) |
| 5 | 6 | 12 | 15 (381) | 6-3/8 (162) | 7/8 (22) | 9 (229) | 8-5/16 (211) | 10-1/8 (257) | N/A | 7 (178) | 7 (178) | N/A | 9-5/8 (244) | 3/4 (19) | 17-7/8 (454) | 7 (178) | 8 (203) |
| 6 | 6 | 9 | 15 (381) | 6-3/8 (162) | 7/8 (22) | 8-1/4 (210) | 7 (178) | 9 (229) | 5-1/2 (140) | 6-1/2 (165) | N/A | N/A | 9-3/8 (238) | 3/4 (19) | 17-13/16 (452) | 7 (178) | 8 (203) |
| 6 | 6 | 11 | 15 (381) | 6-3/8 (162) | 7/8 (22) | 9-1/4 (235) | 8-11/16 (221) | 11-1/4 (286) | N/A | 7-1/4 (184) | 7-1/4 (184) | N/A | 9-7/8 (251) | 3/4 (19) | 18-1/4 (464) | 7 (178) | 8 (203) |
| 6 | 6 | 12 | 15 (381) | 6-3/8 (162) | 7/8 (22) | 9-1/4 (235) | 8-11/16 (221) | 11-1/4 (286) | N/A | 7-1/4 (184) | 7-1/4 (184) | N/A | 9-7/8 (251) | 3/4 (19) | 18-1/4 (464) | 7 (178) | 8 (203) |

NOTES:

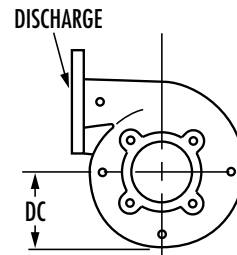
- All dimensions in inches and (mm).
- Dimensions may vary ± 1/4 (6).
- Not for construction purposes unless certified.
- N/A = Not Applicable.
- Conduit box is shown in approximate location. Dimensions are not specified as they vary with each motor manufacturer.

AURORA® MODEL 344A & 364A PUMPS

7" - 9"



STANDARD POSITION (1)



POSITION (4)

| FRAME | D CASE BORE | |
|-------|-------------|-------------|
| | 7 | 9 |
| 1 | 5-1/4 (133) | 5-1/4 (133) |
| 2 | 6-1/4 (158) | 7 (177) |
| 3 | N/A | 7 (177) |

† 9" BORE MODEL 344A NO.1. POWER FRAME D = 6-1/4"

| FRAME | A ₁ | A ₂ | 344A | 364A | E ₁ | E ₂ | 344A | 364A | P | U | V | AD | WG | KEY |
|-------|----------------|----------------|----------------|--------------|----------------|----------------|---------------|---------------|-------------|------------|------------|---------------|----------------|--------------------|
| | | | B | B | | | F | F | | | | | | |
| 1 | 10-3/4 (273) | 7-3/8 (187) | 8-1/16 (205) | 9-5/16 (237) | 4-1/8 (105) | 2 5/8 (67) | 5-13/16 (148) | 7-1/16 (179) | 1-5/16 (33) | 7/8 (22) | 2-1/8 (54) | 5-1/8 (130) | 10-5/16 (262) | 3/16 SQ X 1-3/8 LG |
| 2 | 13-1/4 (337) | 7 (178) | 10-25/32 (274) | 12 (305) | 5-1/8 (130) | 2 1/2 (64) | 7-13/32 (188) | 8-21/32 (220) | 3/4 (19) | 1-1/8 (29) | 3-1/8 (79) | 7-11/16 (195) | 13-13/16 (351) | 1/4 SQ X 1-3/4 LG |
| 3 | 13-1/4 (337) | 7 (178) | 10-25/32 (274) | 12 (305) | 5-1/8 (130) | 2 1/2 (64) | 7-13/32 (188) | 8-21/32 (220) | 3/4 (19) | 1-1/8 (29) | 3-1/8 (79) | 7-11/16 (195) | 13-13/16 (351) | 1/4 SQ X 1-3/4 LG |

| PUMPS WITH THREADED CONNECTIONS | | | | | | | | | | | | | | | |
|---------------------------------|---------|-----------|-------------|-------------|--------------|---------------|--------------|--------------|-------------|---------------|--------------|---------------|-------------|--------------|-------------|
| PUMP SIZE | | | X | Y | Z | DC | DD | 344 DH | | 364 DH | | 344A L | | 364A L | |
| DISCHARGE | SUCTION | CASE BORE | | | | | | FRAME 1 | FRAME 2 & 3 | FRAME 1 | FRAME 2 & 3 | FRAME 1 | FRAME 2 & 3 | FRAME 1 | FRAME 2 & 3 |
| 1-1/4 | 1-1/2 | 7 | 5-1/4 (133) | 2-7/16 (62) | 4-3/16 (106) | 4-15/16 (125) | 5-3/16 (132) | 7-3/16 (183) | N/A | 10-1/4 (260) | N/A | 7-9/16 (192) | N/A | 9-3/8 (238) | N/A |
| 1-1/4 | 1-1/2 | 9 | 6-5/8 (168) | 2-9/16 (65) | 5-3/8 (137) | 6-3/16 (157) | 6-3/8 (162) | 7-1/4 (184) | N/A | 10-5/16 (262) | N/A | 7-5/8 (194) | N/A | 9-7/16 (240) | N/A |
| 1-1/2 | 2 | 7 | 5-3/8 (137) | 2-1/2 (64) | 4-5/16 (110) | 5-1/8 (130) | 5-3/8 (137) | 7-5/16 (186) | N/A | 10-3/8 (264) | N/A | 7-11/16 (195) | N/A | 9-1/2 (241) | N/A |
| 1-1/2 | 2 | 9 | 6-3/4 (171) | 2-5/8 (67) | 5-1/2 (140) | 6-5/16 (160) | 6-9/16 (167) | 7-3/8 (187) | 8-3/8 (213) | 10-7/16 (265) | 11-1/4 (286) | 7-3/4 (197) | 7-1/8 (181) | 9-9/16 (243) | 8-3/4 (222) |

| PUMPS WITH ANSI-125-LB. FLANGED CONNECTIONS | | | | | | | | | | | | | | | |
|---|---------|-----------|-------------|------------|---------------|---------------|---------------|---------------|---------------|---------------|----------------|--------------|---------------|---------------|--------------|
| DISCHARGE | SUCTION | CASE BORE | X | Y | Z | DC | DD | 344 DH | 364 DH | 344A L | 364A L | 344A L | 364A L | 344A L | 364A L |
| 2 | 2-1/2 | 7 | 5-5/8 (143) | 1-7/8 (48) | 4-9/16 (116) | 5-3/8 (137) | 5-13/16 (148) | 6-13/16 (173) | 7-13/16 (198) | 9-7/8 (251) | 10-11/16 (271) | 6-3/16 (157) | 6-9/16 (167) | 8 (203) | 8-3/16 (208) |
| 2 | 2-1/2 | 9 | 7 (178) | 1-7/8 (48) | 5-11/16 (144) | 6-1/2 (165) | 6-7/8 (175) | 6-3/4 (171) | 7-3/4 (197) | 9-13/16 (249) | 10-5/8 (270) | 6-1/8 (156) | 6-1/8 (156) | 7-15/16 (202) | 8-1/8 (206) |
| 2-1/2 | 3 | 7 | 5-7/8 (149) | 2 (51) | 4-13/16 (122) | 5-13/16 (148) | 6-1/4 (159) | 7-1/16 (179) | 8-1/16 (205) | 10-1/8 (257) | 10-15/16 (278) | 6-7/16 (164) | 6-13/16 (173) | 8-1/4 (210) | 8-7/16 (214) |
| 2-1/2 | 3 | 9 | 7-1/4 (184) | 2 (51) | 5-15/16 (151) | 6-3/4 (171) | 7-1/4 (184) | 7 (178) | 8 (203) | N/A | 10-7/8 (276) | 6-3/8 (162) | 6-3/4 (171) | N/A | 8-3/8 (213) |
| 3 | 4 | 9 | 7-1/2 (191) | 2-1/8 (54) | 6-1/8 (156) | 6-7/8 (175) | 7-7/16 (189) | 7-1/4 (184) | 8-1/4 (210) | N/A | 11-1/8 (283) | 6-5/8 (168) | 7 (178) | N/A | 8-5/8 (219) |
| 4 | 4 | 7 | 6-1/2 (165) | 2-1/2 (64) | 5-1/2 (140) | 6-7/16 (164) | 7-5/16 (186) | 7-15/16 (202) | 8-15/16 (227) | 11 (279) | 11-13/16 (300) | 7-5/16 (186) | 7-11/16 (195) | 9-1/8 (232) | 9-5/16 (237) |
| 4 | 5 | 9A | 7-1/4 (184) | 3-1/8 (79) | 5-3/4 (146) | 6-11/16 (170) | 7-3/8 (187) | N/A | 9-3/8 (238) | N/A | 12-1/4 (311) | N/A | 8-1/8 (206) | N/A | 9-3/4 (248) |
| 4 | 5 | 9B | 7-3/4 (197) | 2-5/8 (67) | 6-5/8 (168) | 8-1/16 (205) | 8-11/16 (221) | N/A | 9 (229) | N/A | 11-7/8 (302) | N/A | 7-3/4 (197) | N/A | 9-3/8 (238) |
| 6 | 6 | 9 | 8-1/4 (210) | 2-3/4 (70) | 7 (178) | 8 (203) | 9 (229) | N/A | 9-1/4 (235) | N/A | 12-1/8 (308) | N/A | 8 (203) | N/A | 9-5/8 (244) |

NOTES:

- All dimensions in inches and (mm).
- Dimensions may vary ± 1/4 (6).
- Not for construction purposes unless certified.
- N/A = Not Applicable.
- Check discharge position, casing dimensions which exceed dimension "D" may require pads for the pump and/or motor.

AURORA® MODEL 344A & 364A PUMPS

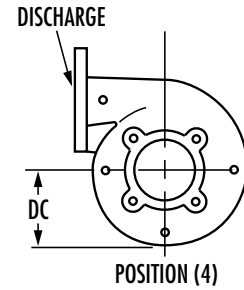
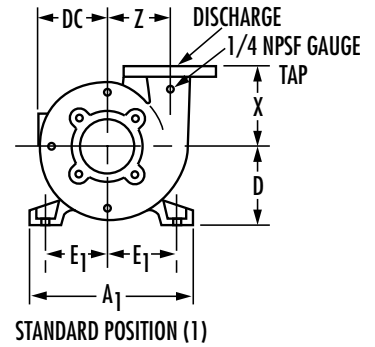
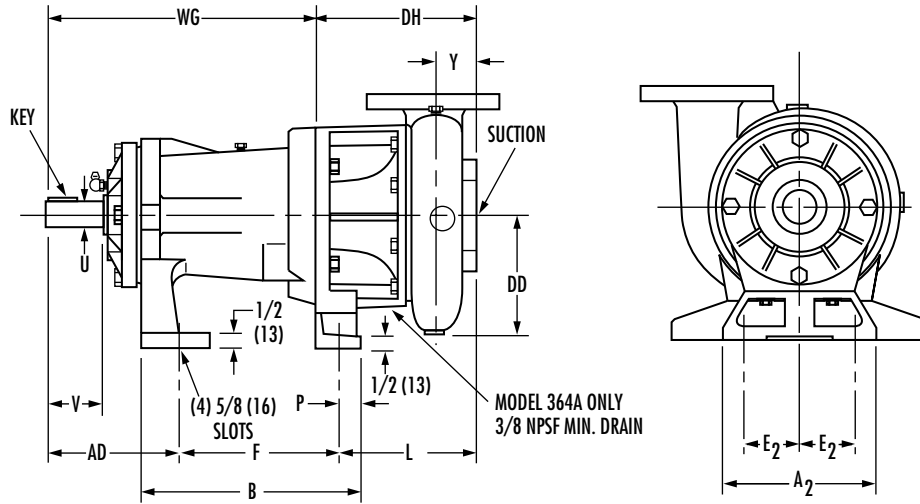
11" - 12"

Section 340/360 Page 207

Dated June 2013

Supersedes Section 340/360 Page 207

Dated March 2004



| FRAME | D CASE BORE | |
|-------|-------------|------------|
| | 11 | 12 |
| 2 | 7 (177) | 7 (177) |
| 3 | 7 (177) | 7 (177) |

| FRAME | A ₁ | A ₂ | 344A | | 364A | | 344A | | 364A | | P | U | V | AD | WG | KEY |
|-------|-----------------|----------------|-------------------|-------------|----------------|---------------|------------------|------------------|-------------|---------------|---------------|------------------|-------------------|-------------------|----|-----|
| | | | B | B | F | F | | | | | | | | | | |
| 2 | 13-1/4 (337) | 7 (178) | 10-25/32 (274) | 12 (305) | 5-1/8 (130) | 2-1/2 (64) | 7-13/32 (188) | 8-21/32 (220) | 3/4 (19) | 1-1/8 (29) | 3-1/8 (79) | 7-11/16 (195) | 13-13/16 (351) | 1/4 SQ X 1-3/4 LG | | |
| 3 | 13-1/4 (337) | 7 (178) | 10-25/32 (274) | 12 (305) | 5-1/8 (130) | 2-1/2 (64) | 7-13/32 (188) | 8-21/32 (220) | 3/4 (19) | 1-1/8 (29) | 3-1/8 (79) | 7-11/16 (195) | 13-13/16 (351) | 1/4 SQ X 1-3/4 LG | | |

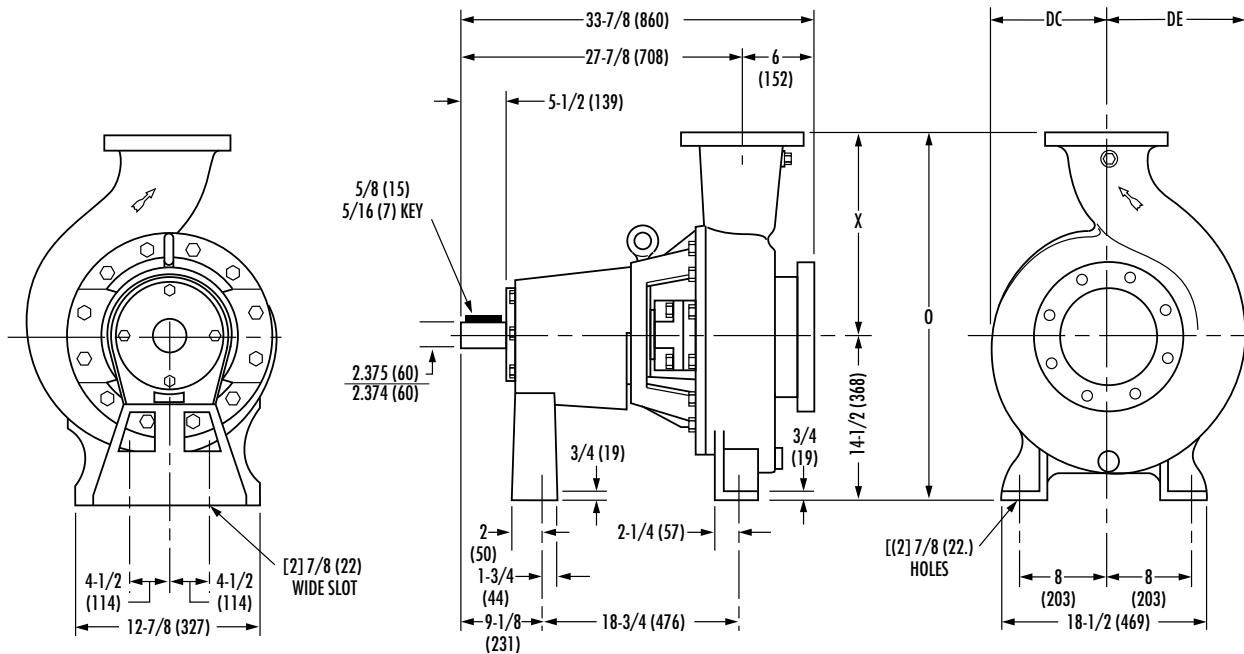
| PUMPS WITH THREADED CONNECTIONS | | | | | | | | | | | | | | | | |
|---|---------|-----------|----------------|-----------------|------------------|------------------|-------------------|---------|-----------------|---------|------------------|---------|------------------|---------|------------------|---------|
| PUMP SIZE | | | X | Y | Z | DC | DD | 344 DH | | 364 DH | | 344A L | | 364A L | | |
| DISCHARGE | SUCTION | CASE BORE | | | | | | FRAME 1 | FRAME 2 & 3 | FRAME 1 | FRAME 2 & 3 | FRAME 1 | FRAME 2 & 3 | FRAME 1 | FRAME 2 & 3 | FRAME 1 |
| 1-1/2 | 2 | 11 | 9 (229) | 2-13/16 (71) | 6-1/8 (156) | 7-1/16 (179) | 7-1/4 (184) | N/A | 8-9/16 (217) | N/A | 11-7/16 (291) | N/A | 7-1/4 (184) | N/A | 8-7/8 (225) | |
| 1-1/2 | 2 | 12 | 7-3/4 (197) | 2-3/4 (70) | 7-1/16 (179) | 8 (203) | 8-1/4 (210) | N/A | 8-5/8 (219) | N/A | 11-1/2 (292) | N/A | 7-3/8 (187) | N/A | 9 (229) | |
| PUMPS WITH ANSI 125 LB. FLANGED CONNECTIONS | | | | | | | | | | | | | | | | |
| 2 | 2-1/2 | 12 | 8 (203) | 1-7/8 (48) | 7-3/16 (183) | 8-3/16 (208) | 8-1/2 (216) | N/A | 7-7/8 (200) | N/A | 10-3/4 (273) | N/A | 6-5/8 (168) | N/A | 8-1/4 (210) | |
| 2 | 3 | 11 | 8 (203) | 2-3/8 (60) | 6-1/2 (165) | 7 (178) | 7-3/8 (187) | N/A | 8-1/2 (216) | N/A | 11-3/8 (289) | N/A | 6-15/16 (176) | N/A | 9-15/16 (252) | |
| 2-1/2 | 3 | 12 | 8-1/4 (210) | 2 (51) | 7-3/8 (187) | 8-3/8 (213) | 8-3/4 (222) | N/A | 8-1/8 (206) | N/A | 11 (279) | N/A | 6-7/8 (175) | N/A | 8-1/2 (216) | |
| 3 | 4 | 11 | 9 (229) | 2-3/4 (70) | 7 (178) | 7-9/16 (192) | 8-3/16 (208) | N/A | 9-3/16 (233) | N/A | 12-1/16 (306) | N/A | 7-9/16 (192) | N/A | 9-9/16 (243) | |
| 3 | 4 | 12 | 8-1/2 (216) | 2-1/8 (54) | 7-9/16 (192) | 8-7/16 (214) | 8-15/16 (227) | N/A | 8-3/8 (213) | N/A | 11-1/4 (286) | N/A | 7-1/8 (181) | N/A | 8-3/4 (222) | |
| 4 | 5 | 11 | 9 (229) | 3 (76) | 7-1/4 (184) | 7-15/16 (202) | 8-11/16 (221) | N/A | 9-5/8 (244) | N/A | 12-1/2 (318) | N/A | 8 (203) | N/A | 10 (254) | |
| 4 | 5 | 12 | 8-3/4 (222) | 2-5/8 (67) | 7-15/16 (202) | 8-7/8 (225) | 9-9/16 (243) | N/A | 9-1/8 (232) | N/A | 12 (305) | N/A | 7-7/8 (200) | N/A | 9-1/2 (241) | |
| 5 | 6 | 11 | 9 (229) | 3-1/8 (79) | 8-1/16 (205) | 8-11/16 (221) | 10-1/8 (257) | N/A | 10-1/8 (257) | N/A | 13 (330) | N/A | 8-1/2 (216) | N/A | 10-1/2 (267) | |
| 5 | 6 | 12 | 9 (229) | 2-7/8 (73) | 8-5/16 (211) | 9-1/4 (235) | 10-1/8 (257) | N/A | 9-5/8 (244) | N/A | 12-1/2 (318) | N/A | 8-3/8 (213) | N/A | 10 (254) | |
| 6 | 6 | 11 | 9-1/4 (235) | 3-1/8 (79) | 8-11/16 (221) | 9-11/16 (246) | 10-13/16 (275) | N/A | 10-1/8 (257) | N/A | 13 (330) | N/A | 8-7/8 (225) | N/A | 10-1/2 (267) | |
| 6 | 6 | 12 | 9-1/4 (235) | 3-1/8 (79) | 8-11/16 (221) | 9-11/16 (246) | 10-13/16 (275) | N/A | 10-1/8 (257) | N/A | 13 (330) | N/A | 8-7/8 (225) | N/A | 10-1/2 (267) | |

NOTES:

- All dimensions in inches and (mm).
- Dimensions may vary ± 1/4 (6).
- Not for construction purposes unless certified.
- N/A = Not Applicable.
- Check discharge position, casing dimensions which exceed dimension "D" may require pads for the pump and/or motor.

■ AURORA® MODEL 364A PUMPS

15" CASE BORE/POWER FRAME 21



| PUMP SIZE | | | FLANGE SIZE | | O | X | DC | DE |
|-----------|---------|-----------|-------------|-------------|-----------------|-------------|------------------|-----------------|
| DISCHARGE | SUCTION | CASE BORE | DISCHARGE | SUCTION | | | | |
| 6 | 8 | 15 | 6 (152) | 8 (203) | 32-1/2 (826) | 18 (457) | 10-7/16 (265) | 12-7/8 (327) |
| 8 | 10 | 15 | 8 (203) | 10 (254) | 33-1/2 (851) | 19 (483) | 11 (279) | 14-3/8 (365) |

NOTES:

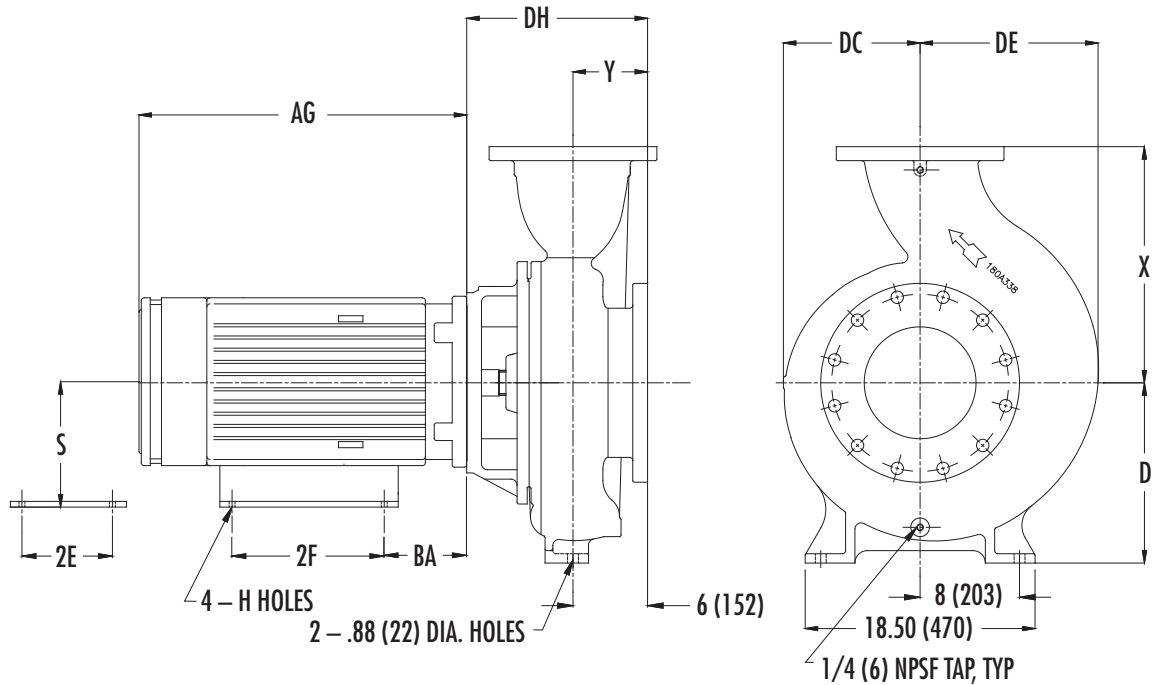
1. All dimensions in inches and (mm).
2. Dimensions may vary $\pm 1/4$ (6).
3. Not for construction purposes unless certified.
4. Standard flanges are 150 lb. per ANSI B16.5.

AURORA® MODEL 341A PUMPS

6X8X15 & 8X10X15
365TCZ-444TCZ

Section 340/360 Page 209
Dated June 2013

Supersedes Section 340/360 Page 209
Dated October 2003



| PUMP SIZE | | | | | | | | | | |
|-----------|---------|-----------|----------------|---------------|----------------|----------------|----------------|---------------|--|--------------|
| DISCHARGE | SUCTION | CASE BORE | X | Y | D | DE | DC | DH | | PUMP WEIGHT |
| 6 | 8 | 15 | 18.00 (457) | 6.00 (152) | 14.50 (368) | 12.88 (327) | 10.44 (265) | 9.56 (243) | | 365 (166) |
| 8 | 10 | 15 | 19.00 (483) | 6.00 (152) | 14.50 (368) | 14.38 (365) | 11.00 (279) | 9.56 (243) | | 505 (229) |

| Motor Frame | 364TCZ | 365TCZ | 404TCZ | 405TCZ | 444TCZ | 445TCZ |
|-------------|----------------|----------------|----------------|----------------|----------------|----------------|
| BA | 5.88 (149) | 5.88 (149) | 6.62 (168) | 6.62 (168) | 7.50 (191) | 7.50 (191) |
| 2F | 11.25 (286) | 12.25 (311) | 12.25 (311) | 13.75 (349) | 14.50 (368) | 16.50 (419) |
| 2E | 14.00 (356) | 14.00 (356) | 16.00 (406) | 16.00 (406) | 18.00 (457) | 18.00 (457) |
| S | 9.00 (229) | 9.00 (229) | 10.00 (254) | 10.00 (254) | 11.00 (279) | 11.00 (279) |
| H | 0.66 (17) | 0.66 (17) | 0.81 (21) | 0.81 (21) | 0.81 (21) | 0.81 (21) |
| AG approx | 31.5 (800) | 32.5 (826) | 34 (864) | 37.5 (953) | 43 (1092) | 48 (1219) |

NOTES:

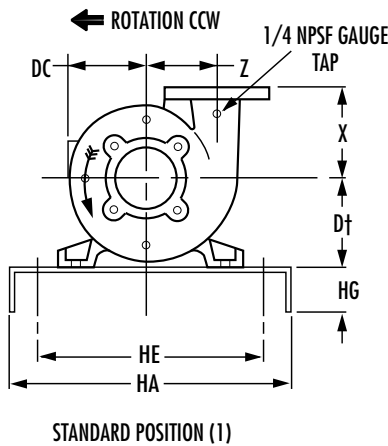
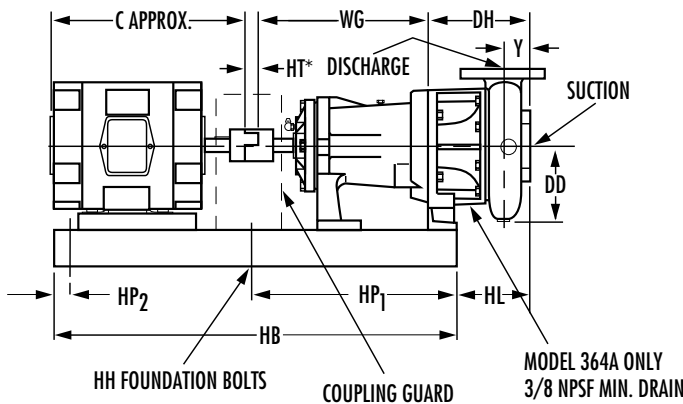
1. ALL DIMENSIONS IN INCHES (MM), WEIGHT IN POUNDS (KG)
2. DIMENSIONS MAY VARY PLUS/MINUS 1/4"
3. NOT FOR CONSTRUCTION PURPOSES UNLESS CERTIFIED.
4. CONDUIT BOX IS NOT SPECIFIED AS THEY VARY WITH EACH MOTOR MANUFACTURER.

Section **340/360** Page **210**
Dated **June 2013**

Supersedes Section 340/360 Page 210
Dated March 2003

THIS PAGE LEFT INTENTIONALLY BLANK

AURORA® MODEL 344A & 364A PUMPS ON STEEL BASES



| BASE | SIZE | HA | HB | HE | HG | HH | | HP ₁ | HP ₂ |
|------|---------|----|----|----|----|-----|------|-----------------|-----------------|
| | | | | | | QTY | SIZE | | |
| 1 | 12 X 30 | 12 | 30 | 9 | 3 | 2 | 5/8 | 15 | - |
| 2 | 17 X 34 | 17 | 34 | 15 | 3 | 4 | 5/8 | 1-1/4 | 1-1/4 |
| 3 | 18 X 38 | 18 | 38 | 16 | 4 | 4 | 5/8 | 1-1/4 | 1-1/4 |
| 4 | 18 X 42 | 18 | 42 | 16 | 4 | 4 | 5/8 | 1-1/4 | 1-1/4 |
| 5 | 18 X 44 | 18 | 44 | 15 | 4 | 4 | 5/8 | 1 | 1 |
| 6 | 18 X 48 | 18 | 48 | 15 | 4 | 4 | 5/8 | 1 | 1 |
| 7 | 22 X 60 | 22 | 60 | 19 | 4 | 4 | 5/8 | 1 | 1 |

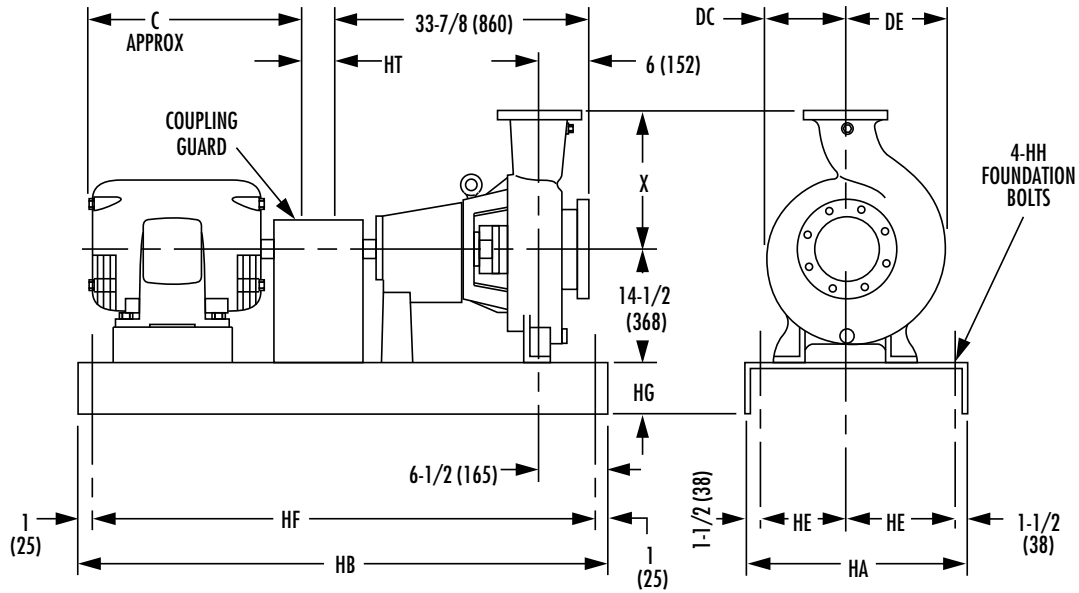
| D | POWER FRAME | BASE NUMBER | | | | |
|---------------|-------------|-------------|-------------|----------|----------|-----|
| | | 1 | 2 | 340 3 | 360 3 | |
| | WG | 10-5/16 | 13-13/16 | 13-13/16 | 13-13/16 | |
| 340 CASE BORE | 7 | 5-1/4 | 6-1/4 | - | - | |
| | 9 | 6-1/4 | 7 | 7 | 7 | |
| | 11 | - | 7 | 7 | 7 | |
| | 12 | - | 7 | 7 | 7 | |
| 360 CASE BORE | 7 | 5-1/4 | 6-1/4 | - | - | |
| | 9 | 5-1/4 | 7 | 7 | 7 | |
| | 11 | - | 7 | 7 | 7 | |
| | 12 | - | 7 | 7 | 7 | |
| MOTOR FRAME | C APPROX | D | BASE NUMBER | | | |
| 56 | 12 | | 1 | N/A | N/A | N/A |
| 143T | 12 | | 1 | N/A | N/A | N/A |
| 145T | 13 | | 1 | 3 | N/A | N/A |
| 182T | 13 | | 1 | 3 | N/A | N/A |
| 184T | 14 | | 1 | 3 | N/A | N/A |
| 213T | 16 | 5-1/4 | 2 | 3 | N/A | 3 |
| 215T | 18 | 5-1/4 | 2 | 3 | N/A | 3 |
| 254T | 21 | 6-1/4 | 3 | 4 | 4 | 4 |
| 256T | 23 | 6-1/4 | N/A | 4 | 4 | 4 |
| 284T | 24 | 7 | N/A | 5 | 5 | 5 |
| 284TS | 22 | 7 | N/A | 5 | 5 | 5 |
| 286T | 25 | 7 | N/A | 5 | 5 | 5 |
| 286TS | 24 | 7 | N/A | 5 | 5 | 5 |
| 324T | 26 | 8 | N/A | 6 | 6 | 6 |
| 324TS | 25 | 8 | N/A | 6 | 6 | 6 |
| 326T | 28 | 8 | N/A | 6 | 6 | 6 |
| 326TS | 26 | 8 | N/A | 6 | 6 | 6 |
| 364T | 29 | 9 | N/A | 6 | 6 | 6 |
| 364TS | 27 | 9 | N/A | 6 | 6 | 6 |
| 365TS | 28 | 9 | N/A | 6 | 6 | 6 |
| 404TS | 30 | 10 | N/A | 7 | 7 | 7 |

| PUMPS WITH THREADED CONNECTIONS | | | | | | | | | | | | | | | | | |
|--|-------|-----------|-------|---------|---------|---------|----------|---------|-------------|---------|-------------|---------|---------|---------|---------|---------|---------|
| PUMP SIZE | | CASE BORE | X | Y | Z | DC | DD | 344A DH | | 364A DH | | 344A HL | | | 364A HL | | |
| DISCH | SUCT | | | | | | | FRAME 1 | FRAME 2 & 3 | FRAME 1 | FRAME 2 & 3 | FRAME 1 | FRAME 2 | FRAME 3 | FRAME 1 | FRAME 2 | FRAME 3 |
| 1-1/4 | 1-1/2 | 7 | 5-1/4 | 2-7/16 | 4-3/16 | 4-15/16 | 5-3/16 | 7-3/16 | N/A | 10-1/4 | N/A | 4-11/16 | N/A | N/A | 6-1/2 | N/A | N/A |
| 1-1/4 | 1-1/2 | 9 | 6-5/8 | 2-9/16 | 5-3/8 | 6-3/8 | 6-3/8 | 7-1/4 | N/A | 10-5/16 | N/A | 4-3/4 | N/A | N/A | 6-9/16 | N/A | N/A |
| 1-1/2 | 2 | 7 | 5-3/8 | 2-1/2 | 4-5/16 | 5-1/8 | 5-3/8 | 7-5/16 | N/A | 10-3/8 | N/A | 4-13/16 | N/A | N/A | 6-5/8 | N/A | N/A |
| 1-1/2 | 2 | 9 | 6-3/4 | 2-5/8 | 5-1/2 | 6-5/16 | 6-9/16 | 7-3/8 | 8-3/8 | 10-7/16 | 11-1/4 | 4-7/8 | 6-3/8 | N/A | 6-11/16 | 8 | N/A |
| 1-1/2 | 2 | 11 | 9 | 2-13/16 | 6-1/8 | 7-1/16 | 7-1/4 | N/A | 8-9/16 | N/A | 11-7/16 | N/A | 6-1/2 | N/A | N/A | 8-1/8 | N/A |
| 1-1/2 | 2 | 12 | 7-3/4 | 2-3/4 | 7-1/16 | 8 | 8-1/4 | N/A | 8-5/8 | N/A | 11-1/2 | N/A | 6-5/8 | N/A | N/A | 8-1/4 | 8-1/4 |
| PUMPS WITH ANSI 125 LB FLANGED CONNECTIONS | | | | | | | | | | | | | | | | | |
| 2 | 2-1/2 | 7 | 5-5/8 | 1-7/8 | 4-9/16 | 5-3/8 | 5-13/16 | 6-13/16 | 7-13/16 | 9-7/8 | 10-11/16 | 4-5/16 | 5-13/16 | N/A | 6-1/8 | 7-7/16 | N/A |
| 2 | 2-1/2 | 9 | 7 | 1-7/8 | 5-11/16 | 6-1/2 | 6-7/8 | 6-3/4 | 7-3/4 | 9-13/16 | 10-5/8 | 4-1/4 | N/A | 5-3/4 | 6-1/16 | N/A | 7-3/8 |
| 2 | 2-1/2 | 12 | 8 | 1-7/8 | 7-3/16 | 8-3/16 | 8-1/2 | N/A | 7-7/8 | N/A | 10-3/4 | N/A | 5-7/8 | N/A | N/A | 7-1/2 | N/A |
| 2 | 3 | 11 | 8 | 2-3/8 | 6-1/2 | 7 | 7-3/8 | N/A | 8 1/2 | N/A | 11-3/8 | N/A | 6-3/16 | N/A | N/A | 7-13/16 | N/A |
| 2-1/2 | 3 | 7 | 5-7/8 | 2 | 4-13/16 | 5-13/16 | 6-1/4 | 7-1/16 | 8-1/16 | 10-1/8 | 10-15/16 | 4-9/16 | 6-1/16 | N/A | 6-3/8 | 7-11/16 | N/A |
| 2-1/2 | 3 | 9 | 7-1/4 | 2 | 5-15/16 | 6-3/4 | 7-1/4 | 7 | 8 | N/A | 10-7/8 | 4-1/2 | N/A | 6 | N/A | 7-5/8 | 7-5/8 |
| 2-1/2 | 3 | 12 | 8-1/4 | 2 | 7-3/8 | 8-3/8 | 8-3/4 | N/A | 8-1/8 | N/A | 11 | N/A | 6-1/8 | N/A | N/A | 7-3/4 | 7-3/4 |
| 3 | 4 | 9 | 7-1/2 | 2-1/8 | 6-1/8 | 6-7/8 | 7-7/16 | 7-1/4 | 8-1/4 | N/A | 11-1/8 | 4-3/4 | 6-1/4 | 6-1/4 | N/A | 7-7/8 | 7-7/8 |
| 3 | 4 | 11 | 9 | 2-3/4 | 7 | 7-9/16 | 8-3/16 | N/A | 9-3/16 | N/A | 12-1/16 | N/A | 6-13/16 | N/A | N/A | 8-7/16 | N/A |
| 3 | 4 | 12 | 8-1/2 | 2-1/8 | 7-9/16 | 8-7/16 | 8-15/16 | N/A | 8-3/8 | N/A | 11-1/4 | N/A | 6-3/8 | 6-3/8 | N/A | 8 | 8 |
| 4 | 4 | 7 | 6-1/2 | 2-1/2 | 5-1/2 | 6-7/16 | 7-5/16 | 7-15/16 | 8-15/16 | 11 | 11-13/16 | 5-7/16 | 6-15/16 | N/A | 7-1/4 | 8-9/16 | N/A |
| 4 | 5 | 9A | 7-1/4 | 3-1/8 | 5-3/4 | 6-11/16 | 7-3/8 | N/A | 9-3/8 | N/A | 12-1/4 | N/A | 7-3/8 | 7-3/8 | N/A | 9 | 9 |
| 4 | 5 | 9B | 7-3/4 | 2-5/8 | 6-5/8 | 8-1/16 | 8-11/16 | N/A | 9 | N/A | 11-7/8 | N/A | 7 | N/A | N/A | 8-5/8 | N/A |
| 4 | 5 | 11 | 9 | 3 | 7-1/4 | 7-15/16 | 8-11/16 | N/A | 9-5/8 | N/A | 12-1/2 | N/A | 7-1/4 | N/A | N/A | 8-7/8 | N/A |
| 4 | 5 | 12 | 8-3/4 | 2-5/8 | 7-15/16 | 8-7/8 | 9-9/16 | N/A | 9-1/8 | N/A | 12 | N/A | 7-1/8 | 7-1/8 | N/A | 8-3/4 | 8-3/4 |
| 5 | 6 | 11 | 9 | 3-1/8 | 8-1/16 | 8-11/16 | 10-1/8 | N/A | 10-1/8 | N/A | 13 | N/A | 7-3/4 | 7-3/4 | N/A | 9-3/8 | 9-3/8 |
| 5 | 6 | 12 | 9 | 2-7/8 | 8-5/16 | 9-1/4 | 10-1/8 | N/A | 9-5/8 | N/A | 12-1/2 | N/A | 7-5/8 | 7-5/8 | N/A | 9-1/4 | 9-1/4 |
| 6 | 6 | 9 | 8-1/4 | 2-3/4 | 7 | 8 | 9 | N/A | 9-1/4 | N/A | 12-1/8 | N/A | 7-1/4 | N/A | N/A | 8-7/8 | N/A |
| 6 | 6 | 11 | 9-1/4 | 3-1/8 | 8-11/16 | 9-11/16 | 10-13/16 | N/A | 10-1/8 | N/A | 13 | N/A | 8-1/8 | 8-1/8 | N/A | 9-3/4 | 9-3/4 |
| 6 | 6 | 12 | 9-1/4 | 3-1/8 | 8-11/16 | 9-11/16 | 10-13/16 | N/A | 10-1/8 | N/A | 13 | N/A | N/A | 8-1/8 | N/A | N/A | 9-3/4 |

- NOTES:
- All dimensions in inches.
 - Dimensions may vary ± 1/4.
 - Not for construction purposes unless certified.
 - N/A = not applicable.
 - Check discharge position. Casing dimensions which exceed dimension "D" may require pads for the pump and/or motor.
 - Conduit box is shown in approximate location. Dimensions are not specified as they vary with each motor manufacturer.
 - Dim "HT" may vary 1/8" TO 1".
 - D Dimension of 5 x 6 x 11, 5 x 6 x 12, 6 x 6 x 11 and 6 x 6 x 12 pump with 213T thru 326T motor is 8".

AURORA® MODEL 364A PUMPS

15 CASE BORE POWER FRAME 21 ON FORMED STEEL BASE



| FRAME SIZE | C | HA | HB | HE | HF | HG | HH | HT | BASEPLATE DESIGNATION |
|------------|-------------|-------------|--------------|----------------|--------------|------------|-------------|----------------|-----------------------|
| 286T | 25 (635) | 22 (559) | 60 (1524) | 9-1/2 (241) | 70 (1778) | 4 (102) | 3/4 (19) | 1-1/16 (27) | 15 (381) |
| 324T | 26 (660) | | | | | | | | |
| 326T | 28 (711) | | | | | | | | |
| 364T | 29 (737) | | | | | | | 1/4 (6) | |
| 364TS | 27 (686) | | | | | | | | |
| 365T | 30 (762) | | | | | | | 2 (51) | |
| 365TS | 28 (711) | | | | | | | | |
| 404T | 33 (838) | | | | | | | 2-1/16 (52) | |
| 404TS | 30 (762) | | | | | | | | |
| 405TS | 34 (864) | | | | | | | 2-1/16 (52) | |
| 405TS | 31 (787) | | | | | | | | |
| 444TS | 34 (864) | | | | | | | | |
| 445TS | 36 (914) | | | | | | | 1-1/4 (32) | |

| PUMP SIZE | FLANGE SIZE | | DC | DE | X |
|-------------|-------------|-------------|------------------|-----------------|-------------|
| | DISCH. | SUCT. | | | |
| 6 x 8 x 15 | 6 (152) | 8 (203) | 10-7/16 (265) | 12-7/8 (327) | 18 (457) |
| 8 x 10 x 15 | 8 (203) | 10 (254) | 11 (279) | 14-3/8 (365) | 19 (483) |

NOTES:

- Dimensions are approximate.
- Dimensions are in inches (mm) and may vary $\pm 1/4$ (6).
- Not for construction purposes unless certified.

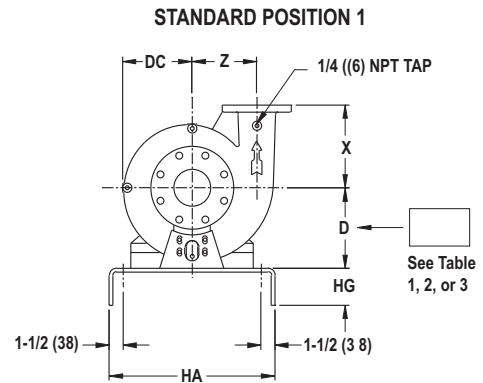
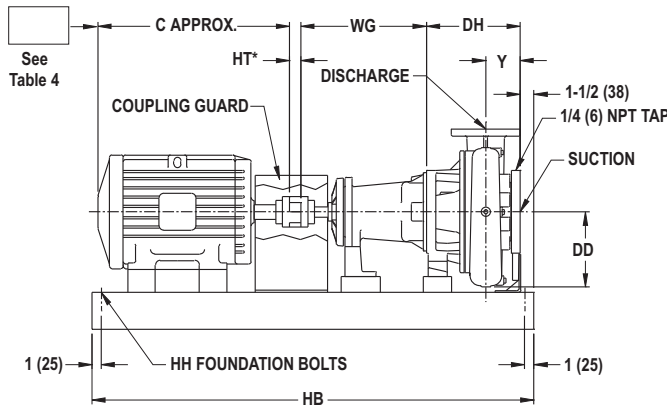
AURORA MODEL 344A PUMPS

FORMED STEEL BASE WITH OPTIONAL CASING FOOT

Dated June 2013

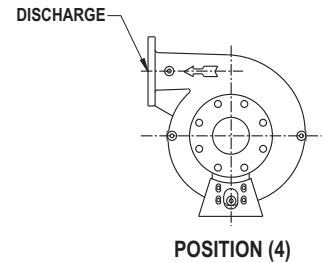
Supersedes Section 340A Page 255

Dated January 2003



MODEL 344A ILLUSTRATED

| PUMPS WITH FLANGE SUCTION CONNECTIONS AND THREADED DISCHARGE CONNECTIONS | | | | | | | | | |
|--|---------|-----------|-------------|---------------|---------------|---------------|----------------|---------------|-------------------|
| PUMP SIZE | | | X | Y | Z | DC | DD | FRAME 1 DH | FRAME 2 & 3 DH |
| DISCHARGE | SUCTION | CASE BORE | | | | | | | |
| 1-1/4 | 1-1/2 | 7 | 5-1/4 (133) | 3-3/8 (86) | 4-3/16 (106) | 4-15/16 (125) | 5-3/16 (132) | 8-1/8 (206) | N/A |
| 1-1/4 | 1-1/2 | 9 | 6-5/8 (168) | 3-1/2 (89) | 5-3/8 (137) | 6-3/16 (157) | 6-3/8 (162) | 8-3/16 (208) | N/A |
| 1-1/2 | 2 | 7 | 5-3/8 (137) | 3-7/16 (87) | 4-5/16 (110) | 5-1/8 (130) | 5-3/8 (137) | 8-1/4 (210) | N/A |
| 1-1/2 | 2 | 9 | 6-3/4 (171) | 3-9/16 (90) | 5-1/2 (140) | 6-5/16 (160) | 6-9/16 (167) | 8-5/16 (211) | 9-5/16 (237) |
| 1-1/2 | 2 | 12 | 7-3/4 (197) | 3-11/16 (94) | 7-1/16 (179) | 8 (203) | 8-1/4 (210) | N/A | 9-5/16 (237) |
| PUMPS WITH ANSI 125 LB. FLANGED CONNECTIONS | | | | | | | | | |
| 2 | 2-1/2 | 7 | 5-5/8 (143) | 2-13/16 (71) | 4-9/16 (116) | 5-3/8 (137) | 5-13/16 (148) | 7-3/4 (197) | 8-3/4 (222) |
| 2 | 2-1/2 | 9 | 7 (178) | 2-13/16 (71) | 5-11/16 (144) | 6-1/2 (165) | 6-7/8 (175) | 7-11/16 (195) | 8-11/16 (221) |
| 2 | 2-1/2 | 12 | 8 (203) | 2-13/16 (71) | 7-3/16 (183) | 8-3/16 (208) | 8-1/2 (216) | N/A | 8-13/16 (224) |
| 2 | 3 | 11 | 8 (203) | 3-5/16 (84) | 6-1/2 (165) | 7 (178) | 7-3/8 (187) | N/A | 9-7/16 (240) |
| 2-1/2 | 3 | 7 | 5-7/8 (149) | 2-15/16 (75) | 4-13/16 (122) | 5-13/16 (148) | 6-1/4 (159) | 8 (203) | 9 (229) |
| 2-1/2 | 3 | 9 | 7-1/4 (184) | 2-15/16 (75) | 5-15/16 (151) | 6-3/4 (171) | 7-1/4 (184) | 7-15/16 (202) | 8-15/16 (227) |
| 2-1/2 | 3 | 12 | 8-1/4 (210) | 2-15/16 (75) | 7-3/8 (187) | 8-3/8 (213) | 8-3/4 (222) | N/A | 9-1/16 (230) |
| 3 | 4 | 9 | 7-1/2 (191) | 3-1/16 (78) | 6-1/8 (156) | 6-7/8 (175) | 7-7/16 (189) | 8-3/16 (208) | 9-3/16 (233) |
| 3 | 4 | 11 | 9 (229) | 3-11/16 (94) | 7 (178) | 7-9/16 (192) | 8-3/16 (208) | N/A | 10-1/8 (257) |
| 3 | 4 | 12 | 8-1/2 (216) | 3-1/16 (78) | 7-9/16 (192) | 8-7/16 (214) | 8-15/16 (227) | N/A | 9-5/16 (237) |
| 4 | 4 | 7 | 6-1/2 (165) | 3-7/16 (87) | 5-1/2 (140) | 6-7/16 (164) | 7-5/16 (186) | 8-7/8 (225) | 9-7/8 (251) |
| 4 | 5 | 9A | 7-1/4 (184) | 4-1/16 (103) | 5-3/4 (146) | 6-11/16 (170) | 7-3/8 (187) | N/A | 10-5/16 (262) |
| 4 | 5 | 9B | 7-3/4 (197) | 3-9/16 (90) | 6-5/8 (168) | 8-1/16 (205) | 8-11/16 (221) | N/A | 9-15/16 (252) |
| 4 | 5 | 11 | 9 (229) | 3-15/16 (100) | 7-1/4 (184) | 7-15/16 (202) | 8-11/16 (221) | N/A | 10-9/16 (268) |
| 4 | 5 | 12 | 8-3/4 (222) | 3-9/16 (90) | 7-15/16 (202) | 8-7/8 (225) | 9-9/16 (243) | N/A | 10-1/16 (256) |
| 5 | 6 | 11 | 9 (229) | 4-1/8 (105) | 8-1/16 (205) | 8-11/16 (221) | 10-1/8 (257) | N/A | 11-1/8 (283) |
| 5 | 6 | 12 | 9 (229) | 3-7/8 (98) | 8-5/16 (211) | 9-1/4 (235) | 10-1/8 (257) | N/A | 10-5/8 (270) |
| 6 | 6 | 9 | 8-1/4 (210) | 3-3/4 (95) | 7 (178) | 8 (203) | 9 (229) | N/A | 10-1/4 (260) |
| 6 | 6 | 11 | 9-1/4 (235) | 4-1/8 (105) | 8-11/16 (221) | 9-11/16 (246) | 10-13/16 (275) | N/A | 11-1/8 (283) |
| 6 | 6 | 12 | 9-1/4 (235) | 4-1/8 (105) | 8-11/16 (221) | 9-11/16 (246) | 10-13/16 (275) | N/A | 11-1/8 (283) |



| BASE | HA | HB | HG | HH |
|------|----------|-----------|-------------|----------|
| 1 | 12 (304) | 34 (863) | 3 (76) | 1/2 (12) |
| 2 | 12 (304) | 38 (965) | 3 (76) | 1/2 (12) |
| 3 | 13 (330) | 42 (1066) | 4 (102) | 5/8 (15) |
| 4 | 15 (381) | 38 (965) | 3-3/8 (857) | 5/8 (15) |
| 5 | 15 (381) | 44 (1117) | 3-3/8 (857) | 5/8 (15) |
| 6 | 15 (381) | 52 (1320) | 4-1/8 (104) | 5/8 (15) |
| 7 | 18 (457) | 54 (1371) | 4 (102) | 5/8 (15) |
| 8 | 22 (558) | 54 (1371) | 4 (102) | 5/8 (15) |
| 9 | 22 (558) | 60 (1524) | 4 (102) | 5/8 (15) |

NOTES:

- All dimensions in inches (mm).
 - Dimensions may vary $\pm 1/4"$ (6).
 - Not for construction purposes unless certified.
 - N/A = not applicable.
 - Conduit box is shown in approximate location. Dimensions are not specified as they vary with each motor manufacturer.
- * Dimension "HT" may vary 1/8" (3) to 1" (25).

AURORA MODEL 344A PUMPS

OPTIONAL CASING FOOT POWER FRAME TABLES

Dated June 2013

Supersedes Section 340A Page 256

Dated January 2003

| MOTOR FRAME | C | MOTOR FRAME | C |
|-------------|----------|-------------|----------|
| 56C | 12 (304) | 284TS | 22 (558) |
| 143T | 12 (304) | 286T | 25 (635) |
| 145T | 13 (330) | 286TS | 24 (609) |
| 182T | 13 (330) | 324T | 26 (660) |
| 184T | 14 (355) | 324TS | 25 (635) |
| 213T | 16 (406) | 326T | 28 (711) |
| 215T | 18 (457) | 326TS | 26 (660) |
| 254T | 21 (533) | 364TS | 27 (685) |
| 256T | 23 (584) | 365TS | 28 (711) |
| 284T | 24 (609) | 404TS | 30 (762) |

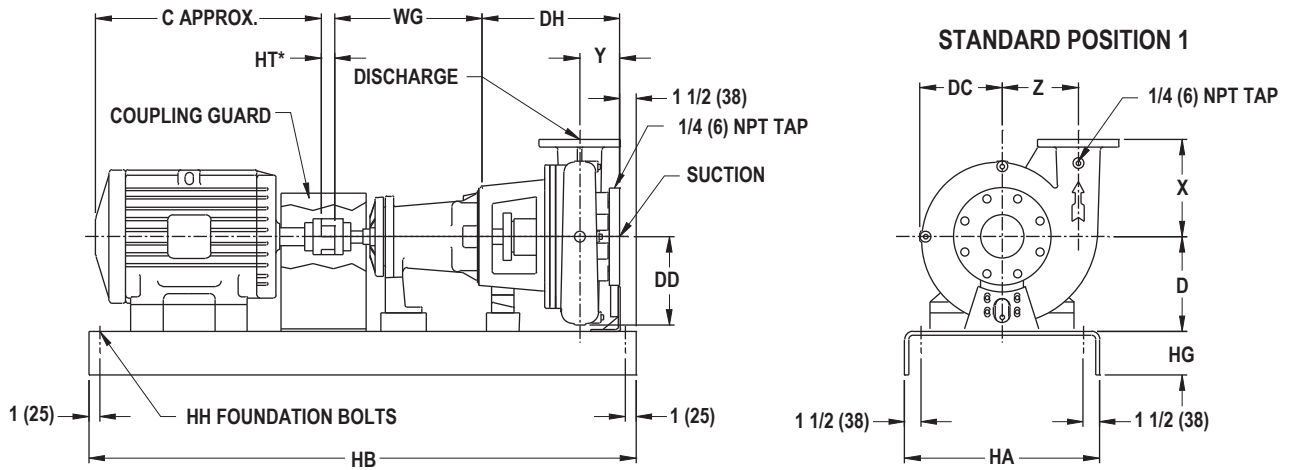
| DISCHARGE | SUCTION | CASE BORE | BASE | FRAME 56C D | BASE | FRAME 143T-145T D | BASE | FRAME 182T-184T D | BASE | FRAME 213T-215T D | BASE | FRAME 254T D |
|-----------|---------|-----------|------|-------------|------|-------------------|------|-------------------|------|-------------------|------|--------------|
| 1-1/4 | 1-1/2 | 7 | 1 | 6-3/4 (171) | 1 | 6-3/4 (171) | 1 | 6-3/4 (171) | 2 | 6-3/4 (171) | 3 | 6-3/4 (171) |
| 1-1/4 | 1-1/2 | 9 | 1 | 6-3/4 (171) | 1 | 6-3/4 (171) | 1 | 6-3/4 (171) | 2 | 6-3/4 (171) | 3 | 6-3/4 (171) |
| 1-1/2 | 2 | 7 | 1 | 6-3/4 (171) | 1 | 6-3/4 (171) | 1 | 6-3/4 (171) | 2 | 6-3/4 (171) | 3 | 6-3/4 (171) |
| 1-1/2 | 2 | 9 | 1 | 6-3/4 (171) | 1 | 6-3/4 (171) | 1 | 6-3/4 (171) | 2 | 6-3/4 (171) | 3 | 6-3/4 (171) |
| 2 | 2-1/2 | 7 | 1 | 7-1/2 (191) | 1 | 7-1/2 (191) | 1 | 7-1/2 (191) | 2 | 7-1/2 (191) | 3 | 7-1/2 (191) |
| 2 | 2-1/2 | 9 | 1 | 7-1/2 (191) | 1 | 7-1/2 (191) | 1 | 7-1/2 (191) | 2 | 7-1/2 (191) | 3 | 7-1/2 (191) |
| 2-1/2 | 3 | 7 | 1 | 7-1/2 (191) | 1 | 7-1/2 (191) | 1 | 7-1/2 (191) | 2 | 7-1/2 (191) | 3 | 7-1/2 (191) |
| 2-1/2 | 3 | 9 | 1 | 7-1/2 (191) | 1 | 7-1/2 (191) | 1 | 7-1/2 (191) | 2 | 7-1/2 (191) | 3 | 7-1/2 (191) |
| 3 | 4 | 9 | 1 | 8-1/4 (210) | 1 | 8-1/4 (210) | 1 | 8-1/4 (210) | 2 | 8-1/4 (210) | 3 | 8-1/4 (210) |
| 4 | 4 | 7 | 1 | 8-1/4 (210) | 1 | 8-1/4 (210) | 2 | 8-1/4 (210) | 2 | 8-1/4 (210) | 3 | 8-1/4 (210) |

| DISCHARGE | SUCTION | CASE BORE | BASE | FRAME 143T-145T D | BASE | FRAME 182T-184T D | BASE | FRAME 213T-215T D | BASE | FRAME 254T-256T D | BASE | FRAME 284T/TS-286T/TS D | BASE | FRAME 324T/TS-326T/TS D | BASE | FRAME 364TS-365TS D |
|-----------|---------|-----------|------|-------------------|------|-------------------|------|-------------------|------|-------------------|------|-------------------------|------|-------------------------|------|---------------------|
| 1-1/2 | 2 | 9 | 4 | 7 (178) | 4 | 7 (178) | 5 | 7 (178) | 6 | 7 (178) | 6 | 7 (178) | 7 | 8-5/8 (219) | 8 | 9 (229) |
| 1-1/2 | 2 | 12 | 4 | 8-5/8 (219) | 4 | 8-5/8 (219) | 5 | 8-5/8 (219) | 6 | 8-5/8 (219) | 6 | 8-5/8 (219) | 7 | 8-5/8 (219) | 8 | 9 (229) |
| 2 | 2-1/2 | 7 | 4 | 7-1/2 (191) | 4 | 7-1/2 (191) | 5 | 7-1/2 (191) | 6 | 7-1/2 (191) | 6 | 7-1/2 (191) | - | N/A | - | N/A |
| 2 | 2-1/2 | 12 | 4 | 9-1/4 (235) | 4 | 9-1/4 (235) | 5 | 9-1/4 (235) | 6 | 9-1/4 (235) | 6 | 9-1/4 (235) | 7 | 9-1/4 (235) | 8 | 9-1/4 (235) |
| 2 | 3 | 11 | 4 | 7-3/4 (197) | 4 | 7-3/4 (197) | 5 | 7-3/4 (197) | 6 | 7-3/4 (197) | 6 | 7-3/4 (197) | 7 | 9-1/8 (232) | - | N/A |
| 2-1/2 | 3 | 7 | 4 | 7-1/2 (191) | 4 | 7-1/2 (191) | 5 | 7-1/2 (191) | 6 | 7-1/2 (191) | 6 | 7-1/2 (191) | - | N/A | - | N/A |
| 2-1/2 | 3 | 12 | 4 | 9-1/2 (241) | 4 | 9-1/2 (241) | 5 | 9-1/2 (241) | 6 | 9-1/2 (241) | 6 | 9-1/2 (241) | 7 | 9-1/2 (241) | 8 | 9-1/2 (241) |
| 3 | 4 | 9 | 4 | 8-1/4 (210) | 4 | 8-1/4 (210) | 5 | 8-1/4 (210) | 6 | 8-1/4 (210) | 6 | 8-1/4 (210) | 7 | 8-1/4 (210) | 8 | 10 (254) |
| 3 | 4 | 11 | 4 | 8-5/8 (219) | 4 | 8-5/8 (219) | 5 | 8-5/8 (219) | 6 | 8-5/8 (219) | 6 | 8-5/8 (219) | 7 | 8-5/8 (219) | - | N/A |
| 3 | 4 | 12 | 4 | 10 (254) | 4 | 10 (254) | 5 | 10 (254) | 6 | 10 (254) | 6 | 10 (254) | 7 | 10 (254) | 8 | 10 (254) |
| 4 | 4 | 7 | 4 | 8-1/4 (102) | 4 | 8-1/4 (127) | 5 | 8-1/4 (152) | 6 | 8-1/4 (152) | 6 | 8-1/4 (152) | - | N/A | - | N/A |
| 4 | 5 | 9A | 4 | 8-7/8 (225) | 4 | 8-7/8 (225) | 5 | 8-7/8 (225) | 6 | 8-7/8 (225) | 6 | 8-7/8 (225) | 7 | 8-7/8 (225) | 8 | 9 (229) |
| 4 | 5 | 9B | 4 | 9 (229) | 5 | 9 (229) | 5 | 9 (229) | 6 | 9 (229) | 6 | 9 (229) | 7 | 9 (229) | 8 | 9 (229) |
| 4 | 5 | 11 | 4 | 9 (229) | 5 | 9 (229) | 5 | 9 (229) | 6 | 9 (229) | 6 | 9 (229) | 7 | 9 (229) | - | N/A |
| 4 | 5 | 12 | 4 | 10-3/4 (273) | 5 | 10-3/4 (273) | 5 | 10-3/4 (273) | 6 | 10-3/4 (273) | 6 | 10-3/4 (273) | 7 | 10-3/4 (273) | 8 | 10-3/4 (273) |
| 5 | 6 | 11 | - | N/A | - | N/A | 5 | 11-1/4 (286) | 6 | 11-1/4 (286) | 6 | 11-1/4 (286) | 7 | 11-1/4 (286) | - | N/A |
| 5 | 6 | 12 | - | N/A | - | N/A | - | N/A | 6 | 11-1/4 (286) | 6 | 11-1/4 (286) | 7 | 11-1/4 (286) | 8 | 11-1/4 (286) |
| 6 | 6 | 9 | - | N/A | - | N/A | 5 | 9-1/2 (241) | 6 | 9-1/2 (241) | 6 | 9-1/2 (241) | 7 | 9-1/2 (241) | - | N/A |
| 6 | 6 | 11 | - | N/A | - | N/A | 5 | 11-1/2 (292) | 6 | 11-1/2 (292) | 6 | 11-1/2 (292) | 7 | 11-1/2 (292) | - | N/A |

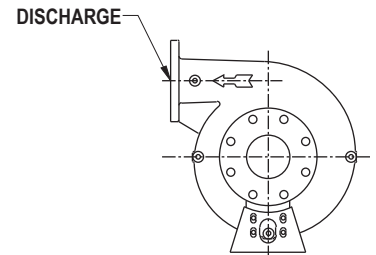
| DISCHARGE | SUCTION | CASE BORE | BASE | FRAME 143T-145T D | BASE | FRAME 182T-184T D | BASE | FRAME 213T-215T D | BASE | FRAME 254T-256T D | BASE | FRAME 284T/TS-286T/TS D | BASE | FRAME 324T/TS-326T/TS D | BASE | FRAME 364TS-365TS D | BASE | FRAME 404TS D |
|-----------|---------|-----------|------|-------------------|------|-------------------|------|-------------------|------|-------------------|------|-------------------------|------|-------------------------|------|---------------------|---------|---------------|
| 2 | 2-1/2 | 9 | 4 | 7-1/2 (191) | 4 | 7-1/2 (191) | 5 | 7-1/2 (191) | 6 | 7-1/2 (191) | 6 | 7-1/2 (191) | 7 | 9 (229) | 8 | 9 (229) | - | N/A |
| 2-1/2 | 3 | 9 | 4 | 7-1/2 (191) | 4 | 7-1/2 (191) | 5 | 7-1/2 (191) | 6 | 7-1/2 (191) | 6 | 7-1/2 (191) | 7 | 9-1/4 (235) | 8 | 9-1/4 (235) | - | N/A |
| 3 | 4 | 9 | 4 | 8-1/4 (210) | 4 | 8-1/4 (210) | 5 | 8-1/4 (210) | 6 | 8-1/4 (210) | 6 | 8-1/4 (210) | 7 | 8-1/4 (210) | 8 | 10 (254) | - | N/A |
| 3 | 4 | 12 | 4 | 10 (254) | 4 | 10 (254) | 5 | 10 (254) | 6 | 10 (254) | 6 | 10 (254) | 7 | 10 (254) | 8 | 10 (254) | - | N/A |
| 4 | 5 | 9A | 4 | 8-7/8 (225) | 4 | 8-7/8 (225) | 5 | 8-7/8 (225) | 6 | 8-7/8 (225) | 6 | 8-7/8 (225) | 7 | 8-7/8 (225) | 8 | 9 (229) | - | N/A |
| 4 | 5 | 12 | 4 | 10-3/4 (273) | 5 | 10-3/4 (273) | 5 | 10-3/4 (273) | 6 | 10-3/4 (273) | 6 | 10-3/4 (273) | 7 | 10-3/4 (273) | 8 | 10-3/4 (273) | - | N/A |
| 5 | 6 | 11 | - | N/A | - | N/A | 5 | 11-1/4 (286) | 6 | 11-1/4 (286) | 6 | 11-1/4 (286) | 7 | 11-1/4 (286) | - | N/A | - | N/A |
| 5 | 6 | 12 | - | N/A | - | N/A | - | N/A | 6 | 11-1/4 (286) | 6 | 11-1/4 (286) | 7 | 11-1/4 (286) | 8 | 11-1/4 (286) | - | N/A |
| 6 | 6 | 11 | - | N/A | - | N/A | 5 | 11-1/2 (292) | 6 | 11-1/2 (292) | 6 | 11-1/2 (292) | 7 | 11-1/2 (292) | - | N/A | - | N/A |
| 6 | 6 | 12 | - | N/A | - | N/A | - | N/A | 6 | 11-3/8 (289) | 6 | 11-3/8 (289) | 7 | 11-3/8 (289) | 8 | 11-3/8 (289) | 9 (229) | 11-3/8 (289) |

AURORA® MODEL 364A PUMPS

FORMED STEEL BASE WITH OPTIONAL CASING FOOT



| PUMPS WITH FLANGE SUCTION CONNECTIONS AND THREADED DISCHARGE CONNECTIONS | | | | | | | | | |
|--|---------|-----------|-------------|---------------|---------------|---------------|----------------|----------------|----------------|
| PUMP SIZE | | | X | Y | Z | DC | DD | FRAME 1 DH | FRAME 2 & 3 DH |
| DISCHARGE | SUCTION | CASE BORE | | | | | | | |
| 1-1/4 | 1-1/2 | 7 | 5-1/4 (133) | 3-3/8 (86) | 4-3/16 (106) | 4-15/16 (125) | 5-3/16 (132) | 11-3/16 (284) | N/A |
| 1-1/4 | 1-1/2 | 9 | 6-5/8 (168) | 3-1/2 (89) | 5-3/8 (137) | 6-3/16 (157) | 6-3/8 (162) | 11-1/4 (286) | N/A |
| 1-1/2 | 2 | 7 | 5-3/8 (137) | 3-7/16 (87) | 4-5/16 (110) | 5-1/8 (130) | 5-3/8 (137) | 11-15/16 (303) | N/A |
| 1-1/2 | 2 | 9 | 6-3/4 (171) | 3-9/16 (90) | 5-1/2 (140) | 6-5/16 (160) | 6-9/16 (167) | 11-3/8 (289) | 12-3/16 (310) |
| 1-1/2 | 2 | 12 | 7-3/4 (197) | 3-11/16 (94) | 7-1/16 (179) | 8 (203) | 8-1/4 (210) | N/A | 12-7/16 (316) |
| PUMPS WITH ANSI 125 LB. FLANGED CONNECTIONS | | | | | | | | | |
| 2 | 2-1/2 | 7 | 5-5/8 (143) | 2-13/16 (71) | 4-9/16 (116) | 5-3/8 (137) | 5-13/16 (148) | 10-13/16 (275) | 11-5/8 (295) |
| 2 | 2-1/2 | 9 | 7 (178) | 2-13/16 (71) | 5-11/16 (144) | 6-1/2 (165) | 6-7/8 (175) | 10-3/4 (273) | 11-9/16 (294) |
| 2 | 2-1/2 | 12 | 8 (203) | 2-13/16 (71) | 7-3/16 (183) | 8-3/16 (208) | 8-1/2 (216) | N/A | 11-11/16 (297) |
| 2 | 3 | 11 | 8 (203) | 3-5/16 (84) | 6-1/2 (165) | 7 (178) | 7-3/8 (187) | N/A | 12-5/16 (313) |
| 2-1/2 | 3 | 7 | 5-7/8 (149) | 2-15/16 (75) | 4-13/16 (122) | 5-13/16 (148) | 6-1/4 (159) | 11-1/16 (281) | 11-7/8 (302) |
| 2-1/2 | 3 | 9 | 7-1/4 (184) | 2-15/16 (75) | 5-15/16 (151) | 6-3/4 (171) | 7-1/4 (184) | 7-15/16 (202) | 11-13/16 (300) |
| 2-1/2 | 3 | 12 | 8-1/4 (210) | 2-15/16 (75) | 7-3/8 (187) | 8-3/8 (213) | 8-3/4 (222) | N/A | 11-15/16 (303) |
| 3 | 4 | 9 | 7-1/2 (191) | 3-1/16 (78) | 6-1/8 (156) | 6-7/8 (175) | 7-7/16 (189) | N/A | 12-1/6 (309) |
| 3 | 4 | 11 | 9 (229) | 3-11/16 (94) | 7 (178) | 7-9/16 (192) | 8-3/16 (208) | N/A | 13 (330) |
| 3 | 4 | 12 | 8-1/2 (216) | 3-1/16 (78) | 7-9/16 (192) | 8-7/16 (214) | 8-15/16 (227) | N/A | 12-3/16 (310) |
| 4 | 4 | 7 | 6-1/2 (165) | 3-7/16 (87) | 5-1/2 (140) | 6-7/16 (164) | 7-5/16 (186) | 11-15/16 (303) | 12-3/4 (324) |
| 4 | 5 | 9A | 7-1/4 (184) | 4-1/16 (103) | 5-3/4 (146) | 6-11/16 (170) | 7-3/8 (187) | N/A | 13-3/16 (335) |
| 4 | 5 | 9B | 7-3/4 (197) | 3-9/16 (90) | 6-5/8 (168) | 8-1/16 (205) | 8-11/16 (221) | N/A | 12-13/16 (325) |
| 4 | 5 | 11 | 9 (229) | 3-15/16 (100) | 7-1/4 (184) | 7-15/16 (202) | 8-11/16 (221) | N/A | 13-3/16 (335) |
| 4 | 5 | 12 | 8-3/4 (222) | 3-9/16 (90) | 7-15/16 (202) | 8-7/8 (225) | 9-9/16 (243) | N/A | 12-13/16 (325) |
| 5 | 6 | 11 | 9 (229) | 4-1/8 (105) | 8-1/16 (205) | 8-11/16 (221) | 10-1/8 (257) | N/A | 14 (356) |
| 5 | 6 | 12 | 9 (229) | 3-7/8 (98) | 8-5/16 (211) | 9-1/4 (235) | 10-1/8 (257) | N/A | 13-1/2 (343) |
| 6 | 6 | 9 | 8-1/4 (210) | 3-3/4 (95) | 7 (178) | 8 (203) | 9 (229) | N/A | 13-1/8 (333) |
| 6 | 6 | 11 | 9-1/4 (235) | 4-1/8 (105) | 8-11/16 (221) | 9-11/16 (246) | 10-13/16 (275) | N/A | 14 (356) |
| 6 | 6 | 12 | 9-1/4 (235) | 4-1/8 (105) | 8-11/16 (221) | 9-11/16 (246) | 10-13/16 (275) | N/A | 14 (356) |



| BASE | HA | HB | HG | HH |
|------|----------|-----------|------------|----------|
| 1 | 12 (304) | 38 (965) | 3 (76) | 1/2 (12) |
| 2 | 12 (304) | 48 (1219) | 3 (76) | 1/2 (12) |
| 3 | 13 (330) | 54 (1372) | 4 (102) | 5/8 (15) |
| 4 | 15 (381) | 54 (1372) | 4 (102) | 5/8 (15) |
| 5 | 15 (381) | 60 (1524) | 3-3/8 (86) | 5/8 (15) |
| 6 | 18 (457) | 60 (1524) | 4 (102) | 5/8 (15) |
| 7 | 22 (558) | 60 (1524) | 4 (102) | 5/8 (15) |
| 8 | 22 (558) | 72 (1829) | 4 (102) | 5/8 (15) |

- NOTES:
- All dimensions in inches (mm).
 - Dimensions may vary ± 1/4" (6).
 - Not for construction purposes unless certified.
 - N/A = not applicable.
 - Conduit box is shown in approximate location. Dimensions are not specified as they vary with each motor manufacturer.
- * Dimension "HT" may vary 1/8" (3) to 1" (25).

AURORA® MODEL 344A PUMPS

OPTIONAL CASING FOOT POWER FRAME TABLES

Dated June 2013

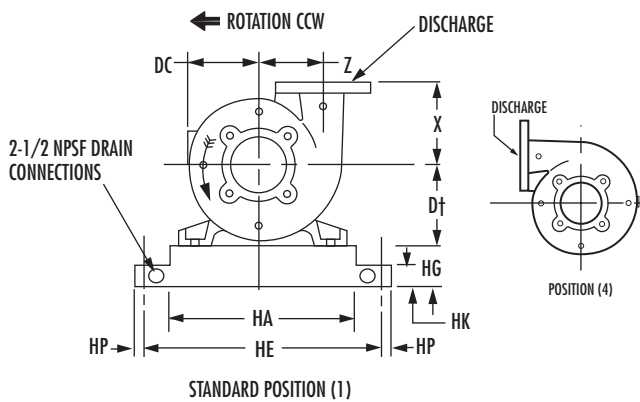
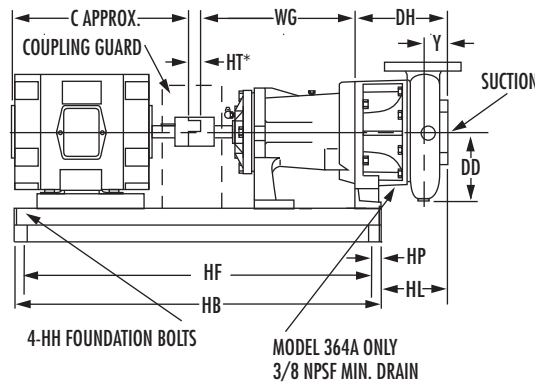
| MOTOR FRAME | C | MOTOR FRAME | C |
|-------------|----------|-------------|----------|
| 56C | 12 (304) | 284TS | 22 (558) |
| 143T | 12 (304) | 286T | 25 (635) |
| 145T | 13 (330) | 286TS | 24 (609) |
| 182T | 13 (330) | 324T | 26 (660) |
| 184T | 14 (355) | 324TS | 25 (635) |
| 213T | 16 (406) | 326T | 28 (711) |
| 215T | 18 (457) | 326TS | 26 (660) |
| 254T | 21 (533) | 364TS | 27 (685) |
| 256T | 23 (584) | 365TS | 28 (711) |
| 284T | 24 (609) | 404TS | 30 (762) |

| DISCHARGE | SUCTION | CASE BORE | BASE | FRAME 56C D | BASE | FRAME 143T-145T D | BASE | FRAME 182T-184T D | BASE | FRAME 213T-215T D | BASE | FRAME 254T D |
|-----------|---------|-----------|------|-------------|------|-------------------|------|-------------------|------|-------------------|------|--------------|
| 1-1/4 | 1-1/2 | 7 | 1 | 6-3/4 (171) | 1 | 6-3/4 (171) | 1 | 6-3/4 (171) | 2 | 6-3/4 (171) | 3 | 6-3/4 (171) |
| 1-1/4 | 1-1/2 | 9 | 1 | 6-3/4 (171) | 1 | 6-3/4 (171) | 1 | 6-3/4 (171) | 2 | 6-3/4 (171) | 3 | 6-3/4 (171) |
| 1-1/2 | 2 | 7 | 1 | 6-3/4 (171) | 1 | 6-3/4 (171) | 1 | 6-3/4 (171) | 2 | 6-3/4 (171) | 3 | 6-3/4 (171) |
| 1-1/2 | 2 | 9 | 1 | 6-3/4 (171) | 1 | 6-3/4 (171) | 1 | 6-3/4 (171) | 2 | 6-3/4 (171) | 3 | 6-3/4 (171) |
| 2 | 2-1/2 | 7 | 1 | 7-1/2 (191) | 1 | 7-1/2 (191) | 1 | 7-1/2 (191) | 2 | 7-1/2 (191) | 3 | 7-1/2 (191) |
| 2 | 2-1/2 | 9 | 1 | 7-1/2 (191) | 1 | 7-1/2 (191) | 1 | 7-1/2 (191) | 2 | 7-1/2 (191) | 3 | 7-1/2 (191) |
| 2-1/2 | 3 | 7 | 1 | 7-1/2 (191) | 1 | 7-1/2 (191) | 1 | 7-1/2 (191) | 2 | 7-1/2 (191) | 3 | 7-1/2 (191) |
| 2-1/2 | 3 | 9 | 1 | 7-1/2 (191) | 1 | 7-1/2 (191) | 1 | 7-1/2 (191) | 2 | 7-1/2 (191) | 3 | 7-1/2 (191) |
| 3 | 4 | 9 | 1 | 8-1/4 (210) | 1 | 8-1/4 (210) | 1 | 8-1/4 (210) | 2 | 8-1/4 (210) | 3 | 8-1/4 (210) |
| 4 | 4 | 7 | 1 | 8-1/4 (210) | 1 | 8-1/4 (210) | 2 | 8-1/4 (210) | 2 | 8-1/4 (210) | 3 | 8-1/4 (210) |

| DISCHARGE | SUCTION | CASE BORE | BASE | FRAME 143T-145T D | BASE | FRAME 182T-184T D | BASE | FRAME 213T-215T D | BASE | FRAME 254T-256T D | BASE | FRAME 284T/TS-286T/TS D | BASE | FRAME 324T/TS-326T/TS D | BASE | FRAME 364TS 365TS D |
|-----------|---------|-----------|------|-------------------|------|-------------------|------|-------------------|------|-------------------|------|-------------------------|------|-------------------------|------|---------------------|
| 1-1/2 | 2 | 9 | 4 | 7 (178) | 4 | 7 (178) | 5 | 7 (178) | 6 | 7 (178) | 6 | 7 (178) | 7 | 8-5/8 (219) | 8 | 9 (229) |
| 1-1/2 | 2 | 12 | 4 | 8-5/8 (219) | 4 | 8-5/8 (219) | 5 | 8-5/8 (219) | 6 | 8-5/8 (219) | 6 | 8-5/8 (219) | 7 | 8-5/8 (219) | 8 | 9 (229) |
| 2 | 2-1/2 | 7 | 4 | 7-1/2 (191) | 4 | 7-1/2 (191) | 5 | 7-1/2 (191) | 6 | 7-1/2 (191) | 6 | 7-1/2 (191) | - | N/A | - | N/A |
| 2 | 2-1/2 | 12 | 4 | 9-1/4 (235) | 4 | 9-1/4 (235) | 5 | 9-1/4 (235) | 6 | 9-1/4 (235) | 6 | 9-1/4 (235) | 7 | 9-1/4 (235) | 8 | 9-1/4 (235) |
| 2 | 3 | 11 | 4 | 7-3/4 (197) | 4 | 7-3/4 (197) | 5 | 7-3/4 (197) | 6 | 7-3/4 (197) | 6 | 7-3/4 (197) | 7 | 9-1/8 (232) | - | N/A |
| 2-1/2 | 3 | 7 | 4 | 7-1/2 (191) | 4 | 7-1/2 (191) | 5 | 7-1/2 (191) | 6 | 7-1/2 (191) | 6 | 7-1/2 (191) | - | N/A | - | N/A |
| 2-1/2 | 3 | 12 | 4 | 9-1/2 (241) | 4 | 9-1/2 (241) | 5 | 9-1/2 (241) | 6 | 9-1/2 (241) | 6 | 9-1/2 (241) | 7 | 9-1/2 (241) | 8 | 9-1/2 (241) |
| 3 | 4 | 9 | 4 | 8-1/4 (210) | 4 | 8-1/4 (210) | 5 | 8-1/4 (210) | 6 | 8-1/4 (210) | 6 | 8-1/4 (210) | 7 | 8-1/4 (210) | 8 | 10 (254) |
| 3 | 4 | 11 | 4 | 8-5/8 (219) | 4 | 8-5/8 (219) | 5 | 8-5/8 (219) | 6 | 8-5/8 (219) | 6 | 8-5/8 (219) | 7 | 8-5/8 (219) | - | N/A |
| 3 | 4 | 12 | 4 | 10 (254) | 4 | 10 (254) | 5 | 10 (254) | 6 | 10 (254) | 6 | 10 (254) | 7 | 10 (254) | 8 | 10 (254) |
| 4 | 4 | 7 | 4 | 8-1/4 (102) | 4 | 8-1/4 (127) | 5 | 8-1/4 (152) | 6 | 8-1/4 (152) | 6 | 8-1/4 (152) | - | N/A | - | N/A |
| 4 | 5 | 9A | 4 | 8-7/8 (225) | 4 | 8-7/8 (225) | 5 | 8-7/8 (225) | 6 | 8-7/8 (225) | 6 | 8-7/8 (225) | 7 | 8-7/8 (225) | 8 | 9 (229) |
| 4 | 5 | 9B | 4 | 9 (229) | 5 | 9 (229) | 5 | 9 (229) | 6 | 9 (229) | 6 | 9 (229) | 7 | 9 (229) | 8 | 9 (229) |
| 4 | 5 | 11 | 4 | 9 (229) | 5 | 9 (229) | 5 | 9 (229) | 6 | 9 (229) | 6 | 9 (229) | 7 | 9 (229) | - | N/A |
| 4 | 5 | 12 | 4 | 10-3/4 (273) | 5 | 10-3/4 (273) | 5 | 10-3/4 (273) | 6 | 10-3/4 (273) | 6 | 10-3/4 (273) | 7 | 10-3/4 (273) | 8 | 10-3/4 (273) |
| 5 | 6 | 11 | - | N/A | - | N/A | 5 | 11-1/4 (286) | 6 | 11-1/4 (286) | 6 | 11-1/4 (286) | 7 | 11-1/4 (286) | - | N/A |
| 5 | 6 | 12 | - | N/A | - | N/A | - | N/A | 6 | 11-1/4 (286) | 6 | 11-1/4 (286) | 7 | 11-1/4 (286) | 8 | 11-1/4 (286) |
| 6 | 6 | 9 | - | N/A | - | N/A | 5 | 9-1/2 (241) | 6 | 9-1/2 (241) | 6 | 9-1/2 (241) | 7 | 9-1/2 (241) | - | N/A |
| 6 | 6 | 11 | - | N/A | - | N/A | 5 | 11-1/2 (292) | 6 | 11-1/2 (292) | 6 | 11-1/2 (292) | 7 | 11-1/2 (292) | - | N/A |

| DISCHARGE | SUCTION | CASE BORE | BASE | FRAME 143T-145T D | BASE | FRAME 182T-184T D | BASE | FRAME 213T-215T D | BASE | FRAME 254T-256T D | BASE | FRAME 284T/TS-286T/TS D | BASE | FRAME 324T/TS-326T/TS D | BASE | FRAME 364TS 365TS D | BASE | FRAME 404TS D |
|-----------|---------|-----------|------|-------------------|------|-------------------|------|-------------------|------|-------------------|------|-------------------------|------|-------------------------|------|---------------------|---------|---------------|
| 2 | 2-1/2 | 9 | 4 | 7-1/2 (191) | 4 | 7-1/2 (191) | 5 | 7-1/2 (191) | 6 | 7-1/2 (191) | 6 | 7-1/2 (191) | 7 | 9 (229) | 8 | 9 (229) | - | N/A |
| 2-1/2 | 3 | 9 | 4 | 7-1/2 (191) | 4 | 7-1/2 (191) | 5 | 7-1/2 (191) | 6 | 7-1/2 (191) | 6 | 7-1/2 (191) | 7 | 9-1/4 (235) | 8 | 9-1/4 (235) | - | N/A |
| 3 | 4 | 9 | 4 | 8-1/4 (210) | 4 | 8-1/4 (210) | 5 | 8-1/4 (210) | 6 | 8-1/4 (210) | 6 | 8-1/4 (210) | 7 | 8-1/4 (210) | 8 | 10 (254) | - | N/A |
| 3 | 4 | 12 | 4 | 10 (254) | 4 | 10 (254) | 5 | 10 (254) | 6 | 10 (254) | 6 | 10 (254) | 7 | 10 (254) | 8 | 10 (254) | - | N/A |
| 4 | 5 | 9A | 4 | 8-7/8 (225) | 4 | 8-7/8 (225) | 5 | 8-7/8 (225) | 6 | 8-7/8 (225) | 6 | 8-7/8 (225) | 7 | 8-7/8 (225) | 8 | 9 (229) | - | N/A |
| 4 | 5 | 12 | 4 | 10-3/4 (273) | 5 | 10-3/4 (273) | 5 | 10-3/4 (273) | 6 | 10-3/4 (273) | 6 | 10-3/4 (273) | 7 | 10-3/4 (273) | 8 | 10-3/4 (273) | - | N/A |
| 5 | 6 | 11 | - | N/A | - | N/A | 5 | 11-1/4 (286) | 6 | 11-1/4 (286) | 6 | 11-1/4 (286) | 7 | 11-1/4 (286) | - | N/A | - | N/A |
| 5 | 6 | 12 | - | N/A | - | N/A | - | N/A | 6 | 11-1/4 (286) | 6 | 11-1/4 (286) | 7 | 11-1/4 (286) | 8 | 11-1/4 (286) | - | N/A |
| 6 | 6 | 11 | - | N/A | - | N/A | 5 | 11-1/2 (292) | 6 | 11-1/2 (292) | 6 | 11-1/2 (292) | 7 | 11-1/2 (292) | - | N/A | - | N/A |
| 6 | 6 | 12 | - | N/A | - | N/A | - | N/A | 6 | 11-3/8 (289) | 6 | 11-3/8 (289) | 7 | 11-3/8 (289) | 8 | 11-3/8 (289) | 8 (203) | 11-3/8 (289) |

AURORA® MODEL 344A & 364A PUMPS ON STEEL DRIP RIM BASE



MODEL 344A ILLUSTRATED

| BASE | SIZE | HA | HB | HE | HG | HH | HP | HK | HF |
|------|---------|----|--------|--------|-------|-----|-------|-------|--------|
| 4 | 11 X 30 | 11 | 30-1/2 | 15-7/8 | 3 | 1/2 | 11/16 | 1-1/2 | 29-1/8 |
| 5 | 11 X 36 | 11 | 36-1/2 | 15-7/8 | 3 | 1/2 | 11/16 | 1-1/2 | 35-1/8 |
| 7 | 14 X 36 | 14 | 36-1/2 | 19 | 3 | 5/8 | 3/4 | 1-1/2 | 35 |
| 8 | 14 X 42 | 14 | 42-1/2 | 19 | 3 | 5/8 | 3/4 | 1-1/2 | 41 |
| 9 | 14 X 48 | 14 | 48-1/2 | 19 | 3 | 5/8 | 3/4 | 1-1/2 | 47 |
| 11 | 18 X 46 | 18 | 46-1/2 | 25-1/8 | 4 | 3/4 | 13/16 | 2 | 44-7/8 |
| 12 | 18 X 54 | 18 | 54-1/2 | 25-1/8 | 4 | 3/4 | 13/16 | 2 | 52-7/8 |
| 15 | 22 X 54 | 22 | 54-1/2 | 29-1/8 | 4-1/2 | 3/4 | 13/16 | 2 | 57-7/8 |

| NOTE: WHEN TWO "D" DIMENSIONS ARE INDICATED ALWAYS USE THE LARGER FIGURE. | POWER FRAME | MODEL 344A | | | MODEL 364A | | | |
|---|---------------|------------|---------|----------|------------|---------|----------|----------|
| | | 1 | 2 | 3 | 1 | 2 | 3 | |
| D | 340 CASE BORE | WG | 10-5/16 | 13-13/16 | 13-13/16 | 10-5/16 | 13-13/16 | 13-13/16 |
| | 7 | 5-1/4 | 6-1/4 | - | - | - | - | |
| | 9 | 6-1/4 | 7 | 7 | - | - | - | |
| | 11 | - | 7 | 7 | - | - | - | |
| | 12 | - | 7 | 7 | - | - | - | |
| | 360 CASE BORE | 7 | - | - | - | 5-1/4 | 6-1/4 | - |
| | 9 | - | - | - | - | 5-1/4 | 7 | 7 |
| | 11 | - | - | - | - | - | 7 | 7 |
| | 12 | - | - | - | - | - | 7 | 7 |

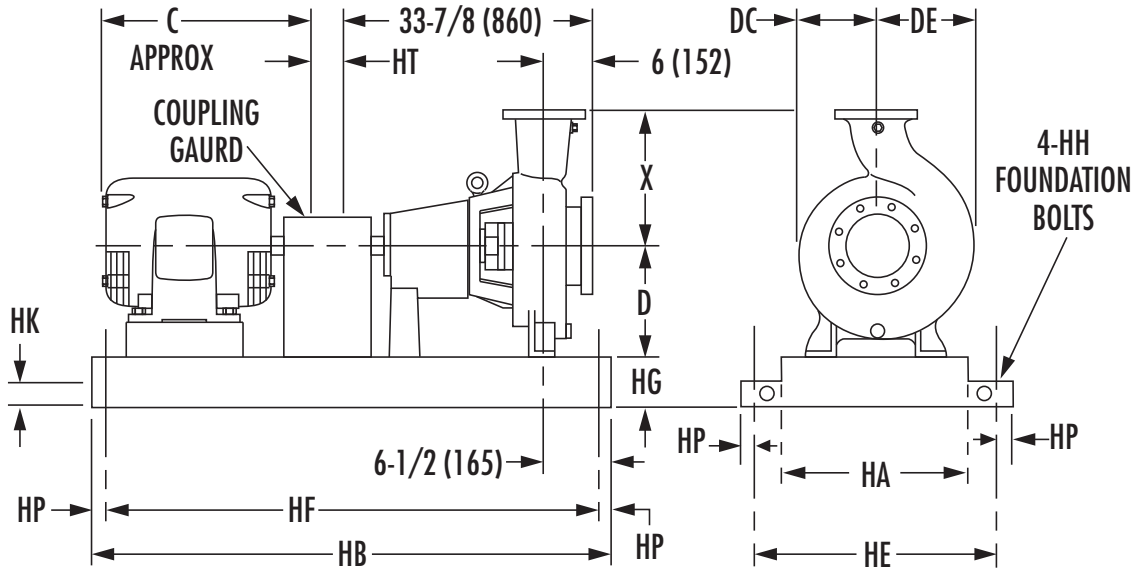
| MOTOR FRAME | C APPROX | D | BASE NUMBER | | | | | |
|-------------|----------|-------|-------------|-----|-----|-----|-----|-----|
| 56 | 12 | | 4 | N/A | N/A | 4 | N/A | N/A |
| 143T | 12 | | 4 | N/A | N/A | 4 | N/A | N/A |
| 145T | 13 | | 4 | 7 | N/A | 4 | 7 | N/A |
| 182T | 13 | | 4 | 7 | N/A | 4 | 7 | N/A |
| 184T | 14 | | 4 | 7 | N/A | 4 | 7 | N/A |
| 213T | 16 | 5-1/4 | 4 | 7 | N/A | 5 | 7 | 7 |
| 215T | 18 | 5-1/4 | 5 | 7 | N/A | 5 | 7 | 7 |
| 254T | 21 | 6-1/4 | 7 | 8 | 8 | N/A | 8 | 8 |
| 256T | 23 | 6-1/4 | N/A | 8 | 8 | N/A | 8 | 8 |
| 284T | 24 | 7 | N/A | 8 | 8 | N/A | 8 | 8 |
| 284TS | 22 | 7 | N/A | 8 | 8 | N/A | 8 | 8 |
| 286T | 25 | 7 | N/A | 8 | 8 | N/A | 9 | 9 |
| 286TS | 24 | 7 | N/A | 8 | 8 | N/A | 8 | 8 |
| 324T | 26 | 8 | N/A | 11 | 11 | N/A | 11 | 11 |
| 324TS | 25 | 8 | N/A | 11 | 11 | N/A | 11 | 11 |
| 326T | 28 | 8 | N/A | 11 | 11 | N/A | 11 | 11 |
| 326TS | 26 | 8 | N/A | 11 | 11 | N/A | 11 | 11 |
| 364T | 29 | 9 | N/A | 11 | 11 | N/A | 12 | 12 |
| 364TS | 27 | 9 | N/A | 11 | 11 | N/A | 11 | 11 |
| 365TS | 28 | 9 | N/A | 11 | 11 | N/A | 11 | 11 |
| 404TS | 30 | 10 | N/A | 15 | 15 | N/A | 15 | 15 |

| PUMPS WITH THREADED CONNECTIONS | | | | | | | | | | | | | | | | | |
|--|-------|-----------|-------|---------|---------|---------|----------|---------|-------------|---------|-------------|---------|---------|---------|---------|---------|---------|
| PUMP SIZE | | CASE BORE | X | Y | Z | DC | DD | 344A DH | | 364A DH | | 344A HL | | | 364A HL | | |
| DISCH | SUCT | | | | | | | FRAME 1 | FRAME 2 & 3 | FRAME 1 | FRAME 2 & 3 | FRAME 1 | FRAME 2 | FRAME 3 | FRAME 1 | FRAME 2 | FRAME 3 |
| 1-1/4 | 1-1/2 | 7 | 5-1/4 | 2-7/16 | 4-3/16 | 4-15/16 | 5-3/16 | 7-3/16 | N/A | 10-1/4 | N/A | 4-3/16 | N/A | N/A | 4-3/4 | N/A | N/A |
| 1-1/4 | 1-1/2 | 9 | 6-5/8 | 2-9/16 | 5-3/8 | 6-3/16 | 6-3/8 | 7-1/4 | N/A | 10-5/16 | N/A | 4-1/4 | N/A | N/A | 4-13/16 | N/A | N/A |
| 1-1/2 | 2 | 7 | 5-3/8 | 2-1/2 | 4-5/16 | 5-1/8 | 5-3/8 | 7-5/16 | N/A | 10-3/8 | N/A | 4-5/16 | N/A | N/A | 4-7/8 | N/A | N/A |
| 1-1/2 | 2 | 9 | 6-3/4 | 2-5/8 | 5-1/2 | 6-5/16 | 6-9/16 | 7-3/8 | 8-3/8 | 10-7/16 | 11-1/4 | 4-3/8 | 4-7/8 | N/A | 4-15/16 | 5 | N/A |
| 1-1/2 | 2 | 11 | 9 | 2-13/16 | 6-1/8 | 7-1/16 | 7-1/4 | N/A | 8-9/16 | N/A | 11-7/16 | N/A | 5-3/8 | N/A | N/A | 7 | N/A |
| 1-1/2 | 2 | 12 | 7-3/4 | 2-3/4 | 7-1/16 | 8 | 8-1/4 | N/A | 8-5/8 | N/A | 11-1/2 | N/A | 5-5/8 | N/A | N/A | 5-1/4 | 5-1/4 |
| PUMPS WITH ANSI 125 LB FLANGED CONNECTIONS | | | | | | | | | | | | | | | | | |
| 2 | 2-1/2 | 7 | 5-5/8 | 1-7/8 | 4-9/16 | 5-3/8 | 5-13/16 | 6-13/16 | 7-13/16 | 9-7/8 | 10-11/16 | 3-13/16 | 4-5/16 | N/A | 4-3/8 | 4-7/16 | N/A |
| 2 | 2-1/2 | 9 | 7 | 1-7/8 | 5-11/16 | 6-1/2 | 6-7/8 | 6-3/4 | 7-3/4 | 9-13/16 | 10-5/8 | 3-3/4 | N/A | 3-7/8 | 4-5/16 | N/A | 4-3/8 |
| 2 | 2-1/2 | 12 | 8 | 1-7/8 | 7-3/16 | 8-3/16 | 8-1/2 | N/A | 7-7/8 | N/A | 10-3/4 | N/A | 4-7/8 | N/A | N/A | 4-1/2 | N/A |
| 2 | 3 | 11 | 8 | 2-3/8 | 6-1/2 | 7 | 7-3/8 | N/A | 8-1/2 | N/A | 11-3/8 | N/A | 5-1/32 | N/A | N/A | 5-5/32 | N/A |
| 2-1/2 | 3 | 7 | 5-7/8 | 2 | 4-13/16 | 5-13/16 | 6-1/4 | 7-1/16 | 8-1/16 | 10-1/8 | 10-15/16 | 4-1/16 | 4-9/16 | N/A | 4-5/8 | 4-11/16 | N/A |
| 2-1/2 | 3 | 9 | 7-1/4 | 2 | 5-15/16 | 6-3/4 | 7-1/4 | 7 | 8 | N/A | 10-7/8 | 4 | N/A | 4-1/2 | N/A | 4-5/8 | 4-5/8 |
| 2-1/2 | 3 | 12 | 8-1/4 | 2 | 7-3/8 | 8-3/8 | 8-3/4 | N/A | 8-1/8 | N/A | 11 | N/A | 5-1/8 | N/A | N/A | 4-3/4 | 4-3/4 |
| 3 | 4 | 9 | 7-1/2 | 2-1/8 | 6-1/8 | 6-7/8 | 7-7/16 | 7-1/4 | 8-1/4 | N/A | 11-1/8 | 4-1/4 | N/A | 4-3/4 | N/A | N/A | 4-7/8 |
| 3 | 4 | 11 | 9 | 2-3/4 | 7 | 7-9/16 | 8-3/16 | N/A | 9-3/16 | N/A | 12-1/16 | N/A | 5-11/16 | N/A | N/A | 5-13/16 | N/A |
| 3 | 4 | 12 | 8-1/2 | 2-1/8 | 7-9/16 | 8-7/16 | 8-15/16 | N/A | 8-3/8 | N/A | 11-1/4 | N/A | 5-3/8 | N/A | N/A | 5 | 5 |
| 4 | 4 | 7 | 6-1/2 | 2-1/2 | 5-1/2 | 6-7/16 | 7-5/16 | 7-15/16 | 8-15/16 | 11 | 11-13/16 | 4-15/16 | 5-7/16 | N/A | 5-1/2 | 5-9/16 | N/A |
| 4 | 5 | 9A | 7-1/4 | 3-1/8 | 5-3/4 | 6-11/16 | 7-3/8 | N/A | 9-3/8 | N/A | 12-1/4 | N/A | 5-7/8 | 5-7/8 | N/A | 6 | 6 |
| 4 | 5 | 9B | 7-3/4 | 2-5/8 | 6-5/8 | 8-1/16 | 8-11/16 | N/A | 9 | N/A | 11-7/8 | N/A | 5-1/2 | N/A | N/A | 5-5/8 | N/A |
| 4 | 5 | 11 | 9 | 3 | 7-1/4 | 7-15/16 | 8-11/16 | N/A | 9-5/8 | N/A | 12-1/2 | N/A | 6-1/8 | N/A | N/A | 6-1/4 | N/A |
| 4 | 5 | 12 | 8-3/4 | 2-5/8 | 7-15/16 | 8-7/8 | 9-9/16 | N/A | 9-1/8 | N/A | 12 | N/A | 6-1/8 | 6-1/8 | N/A | 5-3/4 | 5-3/4 |
| 5 | 6 | 11 | 9 | 3-1/8 | 8-1/16 | 8-11/16 | 10-1/8 | N/A | 10-1/8 | N/A | 13 | N/A | 6-5/8 | 6-5/8 | N/A | 6-3/4 | 6-3/4 |
| 5 | 6 | 12 | 9 | 2-7/8 | 8-5/16 | 9-1/4 | 10-1/8 | N/A | 9-5/8 | N/A | 12-1/2 | N/A | 6-5/8 | 6-5/8 | N/A | 6-1/4 | 6-1/4 |
| 6 | 6 | 9 | 8-1/4 | 2-3/4 | 7 | 8 | 9 | N/A | 9-1/4 | N/A | 12-1/8 | N/A | 5-3/4 | N/A | N/A | 5-7/8 | N/A |
| 6 | 6 | 11 | 9-1/4 | 3-1/8 | 8-11/16 | 9-11/16 | 10-13/16 | N/A | 10-1/8 | N/A | 13 | N/A | 7-1/8 | 7-1/8 | N/A | 6-3/4 | 6-3/4 |
| 6 | 6 | 12 | 9-1/4 | 3-1/8 | 8-11/16 | 9-11/16 | 10-13/16 | N/A | 10-1/8 | N/A | 13 | N/A | N/A | 7-1/8 | N/A | N/A | 6-3/4 |

- NOTES:
- All dimensions in inches (mm).
 - Dimensions may vary ± 1/4.
 - Not for construction purposes unless certified.
 - N/A = not applicable.
 - Check discharge position. Casing dimensions which exceed dimension "D" may require pads for the pump and/or motor.
 - Conduit box is shown in approximate location. Dimensions are not specified as they vary with each motor manufacturer.
 - Dim "HT" may vary 1/8 TO 1.
 - D Dimension of 5 x 6 x 11, 5 x 6 x 12, 6 x 6 x 11 and 6 x 6 x 12 pump with 213T thru 286T motor is 9.

AURORA® MODEL 364A PUMPS

15 (381) CASE BORE POWER FRAME 21 ON STEEL DRIP RIM BASE



| | |
|-----------|--------------|
| CASE BORE | 15 (381) |
| "D" PUMP | 14-1/2 (368) |

| FRAME SIZE | C | "D" MOTOR | HA | HB | HE | HF | HG | HH | HP | HK | HT | BASEPLATE DESIGNATION |
|------------|-------------|-------------|-------------|------------------|-----------------|------------------|----------------|-------------|---------------|-----------|----------------|-----------------------|
| 286T | 25 (635) | 7 (178) | | | | | | | | | | |
| 324T | 26 (660) | 8 (203) | | | | | | | | | 1-1/16 (27) | |
| 326T | 28 (711) | | | | | | | | | | | |
| 364T | 29 (737) | | | 64-1/2 (1638) | | 62-7/8 (1597) | | | | | | 16 (406) |
| 364TS | 27 (686) | 9 (229) | | | | | | | | | 1/4 (6) | |
| 365T | 30 (762) | | | | | | | | | | 2 (51) | |
| 365TS | 28 (711) | | 22 (559) | | 29-1/8 (740) | | 4-1/2 (114) | 3/4 (19) | 13/16 (21) | 2 (51) | | |
| 404T | 33 (838) | | | | | | | | | | 2-1/16 (52) | |
| 404TS | 30 (762) | 10 (254) | | | | | | | | | 2 (51) | |
| 405TS | 34 (864) | | | 74-1/2 (1892) | | 72-7/8 (1851) | | | | | | 17 (432) |
| 405TS | 31 (787) | | | | | | | | | | 2-1/16 (52) | |
| 444TS | 34 (864) | 11 (279) | | | | | | | | | | |
| 445TS | 36 (914) | | | | | | | | | | 1-1/4 (32) | |

| PUMP SIZE | FLANGE SIZE | | DC | DE | X |
|-------------|-------------|-------------|------------------|-----------------|-------------|
| | DISCH. | SUCT. | | | |
| 6 x 8 x 15 | 6 (152) | 8 (203) | 10-7/16 (265) | 12-7/8 (327) | 18 (457) |
| 8 x 10 x 15 | 8 (203) | 10 (254) | 11 (279) | 14-3/8 (365) | 19 (483) |

NOTES:

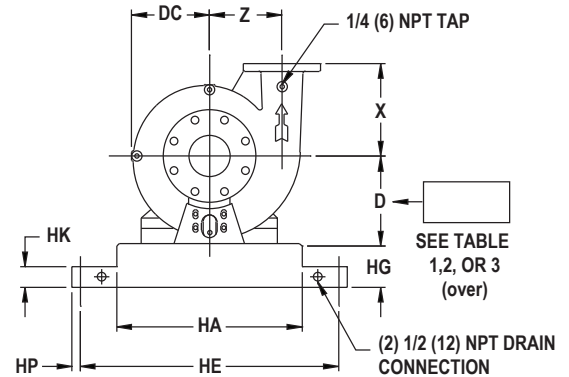
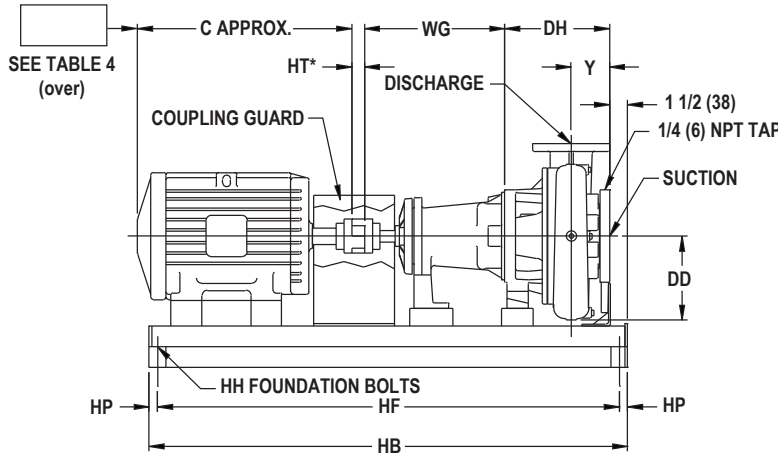
1. Dimensions are approximate.
2. Dimensions are in inches (mm) and may vary ± 1/4 (6).
3. Not for construction purposes unless certified.
4. Three grout holes are provided in top of base.
5. Dimension "D" is determined by larger "D" dimension of pump and motor combination.

AURORA MODEL 344A PUMPS

STEEL DRIP RIM BASE WITH OPTIONAL CASING FOOT

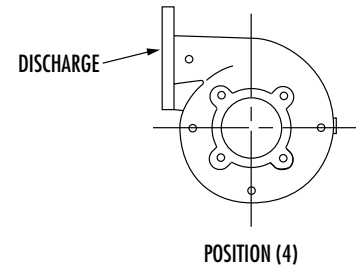
Dated **January 2003**

Supersedes Section 340A Page 305
Dated May 1994



MODEL 344A ILLUSTRATED

| PUMPS WITH FLANGED SUCTION CONNECTIONS AND THREADED DISCHARGE CONNECTIONS | | | | | | | | | |
|---|---------|-----------|----------------|------------------|------------------|------------------|-------------------|------------------|-------------------|
| PUMP SIZE | | | X | Y | Z | DC | DD | FRAME 1 DH | FRAME 2 & 3 DH |
| DISCHARGE | SUCTION | CASE BORE | | | | | | | |
| 1-1/4 | 1-1/2 | 7 | 5-1/4 (133) | 3-3/8 (86) | 4-3/16 (106) | 4-15/16 (125) | 5-3/16 (132) | 8-1/8 (206) | N/A |
| 1-1/4 | 1-1/2 | 9 | 6-5/8 (168) | 3-1/2 (89) | 5-3/8 (137) | 6-3/16 (157) | 6-3/8 (162) | 8-3/16 (208) | N/A |
| 1-1/2 | 2 | 7 | 5-3/8 (137) | 3-7/16 (87) | 4-5/16 (110) | 5-1/8 (130) | 5-3/8 (137) | 8-1/4 (210) | N/A |
| 1-1/2 | 2 | 9 | 6-3/4 (171) | 3-9/16 (90) | 5-1/2 (140) | 6-5/16 (160) | 6-9/16 (167) | 8-5/16 (211) | 9-5/16 (237) |
| 1-1/2 | 2 | 12 | 7-3/4 (197) | 3-11/16 (94) | 7-1/16 (179) | 8 (203) | 8-1/14 (205) | N/A | 9-5/16 (237) |
| PUMPS WITH ANSI 125 LB. FLANGED CONNECTIONS | | | | | | | | | |
| 2 | 2-1/2 | 7 | 5-5/8 (143) | 2-13/16 (71) | 4-9/16 (116) | 5-3/8 (137) | 5-13/16 (148) | 7-3/4 (197) | 8-3/4 (222) |
| 2 | 2-1/2 | 9 | 7 (178) | 2-13/16 (71) | 5-11/16 (144) | 6-1/2 (165) | 6-7/8 (175) | 7-11/16 (195) | 8-11/16 (221) |
| 2 | 2-1/2 | 12 | 8 (203) | 2-13/16 (71) | 7-3/16 (183) | 8-3/16 (208) | 8-1/2 (216) | N/A | 8-13/16 (224) |
| 2 | 3 | 11 | 8 (203) | 3-5/16 (84) | 6-1/2 (165) | 7 (178) | 7-3/8 (187) | N/A | 9-7/16 (240) |
| 2-1/2 | 3 | 7 | 5-7/8 (149) | 2-15/16 (75) | 4-13/16 (122) | 5-13/16 (148) | 6-1/4 (159) | 8 (203) | 9 (229) |
| 2-1/2 | 3 | 9 | 7-1/4 (184) | 2-15/16 (75) | 5-15/16 (151) | 6-3/4 (171) | 7-1/4 (184) | 7-15/16 (202) | 8-15/16 (227) |
| 2-1/2 | 3 | 12 | 8-1/4 (210) | 2-15/16 (75) | 7-3/8 (187) | 8-3/8 (213) | 8-3/4 (222) | N/A | 9-1/16 (230) |
| 3 | 4 | 9 | 7-1/2 (191) | 3-1/16 (78) | 6-1/8 (156) | 6-7/8 (175) | 7-7/16 (189) | 8-3/16 (208) | 9-3/16 (233) |
| 3 | 4 | 11 | 9 (229) | 3-11/16 (94) | 7 (178) | 7-9/16 (192) | 8-3/16 (208) | N/A | 10-1/8 (257) |
| 3 | 4 | 12 | 8-1/2 (216) | 3-1/16 (78) | 7-9/16 (192) | 8-7/16 (214) | 8-15/16 (227) | N/A | 9-5/16 (237) |
| 4 | 4 | 7 | 6-1/2 (165) | 3-7/16 (87) | 5-1/2 (140) | 6-7/16 (164) | 7-5/16 (186) | 8-7/8 (225) | 9-7/8 (251) |
| 4 | 5 | 9A | 7-1/4 (184) | 4-1/16 (103) | 5-3/4 (146) | 6-11/16 (170) | 7-3/8 (187) | N/A | 10-5/16 (262) |
| 4 | 5 | 9B | 7-3/4 (197) | 3-9/16 (90) | 6-5/8 (168) | 8-1/16 (205) | 8-11/16 (221) | N/A | 9-15/16 (252) |
| 4 | 5 | 11 | 9 (229) | 3-15/16 (100) | 7-1/4 (184) | 7-15/16 (202) | 8-11/16 (221) | N/A | 10-9/16 (268) |
| 4 | 5 | 12 | 8-3/4 (222) | 3-9/16 (90) | 7-15/16 (202) | 8-7/8 (225) | 9-9/16 (243) | N/A | 10-1/16 (256) |
| 5 | 6 | 11 | 9 (229) | 4-1/8 (105) | 8-1/16 (205) | 8-11/16 (221) | 10-1/8 (257) | N/A | 11-1/8 (283) |
| 5 | 6 | 12 | 9 (229) | 3-7/8 (98) | 8-5/16 (211) | 9-1/4 (235) | 10-1/8 (257) | N/A | 10-5/8 (270) |
| 6 | 6 | 9 | 8-1/4 (210) | 3-3/4 (95) | 7 (178) | 8 (203) | 9 (229) | N/A | 10-1/4 (260) |
| 6 | 6 | 11 | 9-1/4 (235) | 4-1/8 (105) | 8-11/16 (221) | 9-11/16 (246) | 10-13/16 (275) | N/A | 11-1/8 (283) |
| 6 | 6 | 12 | 9-1/4 (235) | 4-1/8 (105) | 8-11/16 (221) | 9-11/16 (246) | 10-13/16 (275) | N/A | 11-1/8 (283) |



| BASE | SIZE | HA | HB | HE | HG | HH | HP | HK | HF |
|------|-------|-------------|------------------|-----------------|----------------|-------------|---------------|---------------|------------------|
| 7 | 14x36 | 14 (355) | 36-1/2 (927) | 19 (482) | 3 (76) | 5/8 (15) | 3/4 (19) | 1-1/2 (38) | 35 (889) |
| 8 | 14x42 | 14 (355) | 42-1/2 (1079) | 19 (482) | 3 (76) | 5/8 (15) | 3/4 (19) | 1-1/2 (38) | 41 (1041) |
| 11 | 18x46 | 18 (457) | 46-1/2 (1181) | 25-1/8 (638) | 4 (102) | 3/4 (19) | 13/16 (20) | 2 (50) | 44-7/8 (1139) |
| 12 | 18x54 | 18 (457) | 54-1/2 (1384) | 25-1/8 (638) | 4 (102) | 3/4 (19) | 13/16 (20) | 2 (50) | 52-7/8 (1343) |
| 15 | 22x54 | 22 (558) | 54-1/2 (1384) | 29-1/8 (739) | 4-1/2 (114) | 3/4 (19) | 13/16 (20) | 2 (50) | 52-7/8 (1343) |
| 16 | 22x64 | 22 (558) | 64-1/2 (1638) | 29-1/8 (739) | 4-1/2 (114) | 3/4 (19) | 13/16 (20) | 2 (50) | 62-7/8 (1597) |

- NOTES:
- All dimensions in inches (mm).
 - Dimensions may vary $\pm 1/4"$ (6).
 - Not for construction purposes unless certified.
 - N/A = not applicable.
 - Conduit box is shown in approximate location. Dimensions are not specified as they vary with each motor manufacturer.
- * Dimension "HT" may vary 1/8" (3) to 1" (25).

Supersedes Section 340A Page 306
Dated October 1993

| DISCHARGE | SUCTION | CASE BORE | BASE | FRAME 56C D | BASE | FRAME 143T-45T D | BASE | FRAME 182T-184T D | BASE | FRAME 213T-215T D | BASE | FRAME 254T D |
|------------|------------|-----------|------|-------------|------|------------------|------|-------------------|------|-------------------|------|--------------|
| 1-1/4 (32) | 1-1/2 (38) | 7 (178) | 7 | 6-3/4 (171) | 7 | 6-3/4 (171) | 7 | 6-3/4 (171) | 8 | 6-3/4 (171) | 8 | 6-3/4 (171) |
| 1-1/4 (32) | 1-1/2 (38) | 9 (229) | 7 | 6-3/4 (171) | 7 | 6-3/4 (171) | 7 | 6-3/4 (171) | 8 | 6-3/4 (171) | 8 | 6-3/4 (171) |
| 1-1/2 (38) | 2 (51) | 7 (178) | 7 | 6-3/4 (171) | 7 | 6-3/4 (171) | 7 | 6-3/4 (171) | 8 | 6-3/4 (171) | 8 | 6-3/4 (171) |
| 1-1/2 (38) | 2 (51) | 9 (229) | 7 | 6-3/4 (171) | 7 | 6-3/4 (171) | 7 | 6-3/4 (171) | 8 | 6-3/4 (171) | 8 | 6-3/4 (171) |
| 2 (51) | 2-1/2 (64) | 7 (178) | 7 | 7-1/2 (191) | 7 | 7-1/2 (191) | 7 | 7-1/2 (191) | 8 | 7-1/2 (191) | 8 | 7-1/2 (191) |
| 2 (51) | 2-1/2 (64) | 9 (229) | 7 | 7-1/2 (191) | 7 | 7-1/2 (191) | 7 | 7-1/2 (191) | 8 | 7-1/2 (191) | 8 | 7-1/2 (191) |
| 2-1/2 (64) | 3 (76) | 7 (178) | 7 | 7-1/2 (191) | 7 | 7-1/2 (191) | 7 | 7-1/2 (191) | 8 | 7-1/2 (191) | 8 | 7-1/2 (191) |
| 2-1/2 (64) | 3 (76) | 9 (229) | 7 | 7-1/2 (191) | 7 | 7-1/2 (191) | 7 | 7-1/2 (191) | 8 | 7-1/2 (191) | 8 | 7-1/2 (191) |
| 3 (76) | 4 (102) | 9 (229) | 7 | 8-1/4 (210) | 7 | 8-1/4 (210) | 7 | 8-1/4 (210) | 8 | 8-1/4 (210) | 8 | 8-1/4 (210) |
| 4 (102) | 4 (102) | 7 (178) | 7 | 8-1/4 (210) | 7 | 8-1/4 (210) | 8 | 8-1/4 (210) | 8 | 8-1/4 (210) | 8 | 8-1/4 (210) |

| MOTOR FRAME | C | MOTOR FRAME | C |
|-------------|----|-------------|----|
| 56C | 12 | 284TS | 22 |
| 143T | 12 | 286T | 25 |
| 145T | 13 | 286TS | 24 |
| 182T | 13 | 324T | 26 |
| 184T | 14 | 324TS | 25 |
| 213T | 16 | 326T | 28 |
| 215T | 18 | 326TS | 26 |
| 254T | 21 | 364TS | 27 |
| 256T | 23 | 365TS | 28 |
| 284T | 24 | 404TS | 30 |

| DISCHARGE | SUCTION | CASE BORE | BASE | FRAME 143T-145T D | BASE | FRAME 182T-184T D | BASE | FRAME 213T-215T D | BASE | FRAME 254T-256T D | BASE | FRAME 284T/TS-286T/TS D | BASE | FRAME 324T/TS-326T/TS D | BASE | FRAME 364TS-365TS D |
|-----------|---------|-----------|------|-------------------|------|-------------------|------|-------------------|------|-------------------|------|-------------------------|------|-------------------------|------|---------------------|
| 1-1/2 | 2 | 9 | 8 | 7 (178) | 8 | 7 (178) | 11 | 7 (178) | 12 | 7 (178) | 12 | 7 (178) | 12 | 8-5/8 (219) | 15 | 9 (229) |
| 1-1/2 | 2 | 12 | 8 | 8-5/8 (219) | 8 | 8-5/8 (219) | 11 | 8-5/8 (219) | 12 | 8-5/8 (219) | 12 | 8-5/8 (219) | 12 | 8-5/8 (219) | 15 | 9 (229) |
| 2 | 2-1/2 | 7 | 8 | 7-1/2 (191) | 8 | 7-1/2 (191) | 11 | 7-1/2 (191) | 12 | 7-1/2 (191) | 12 | 7-1/2 (191) | - | N/A | - | N/A |
| 2 | 2-1/2 | 12 | 8 | 9-1/4 (235) | 8 | 9-1/4 (235) | 11 | 9-1/4 (235) | 12 | 9-1/4 (235) | 12 | 9-1/4 (235) | 12 | 9-1/4 (235) | 15 | 9-1/4 (235) |
| 2 | 3 | 11 | 8 | 7-3/4 (197) | 8 | 7-3/4 (197) | 11 | 7-3/4 (197) | 12 | 7-3/4 (197) | 12 | 7-3/4 (197) | 12 | 9-1/8 (232) | - | N/A |
| 2-1/2 | 3 | 7 | 8 | 7-1/2 (191) | 8 | 7-1/2 (191) | 11 | 7-1/2 (191) | 12 | 7-1/2 (191) | 12 | 7-1/2 (191) | - | N/A | - | N/A |
| 2-1/2 | 3 | 12 | 8 | 9-1/2 (241) | 8 | 9-1/2 (241) | 11 | 9-1/2 (241) | 12 | 9-1/2 (241) | 12 | 9-1/2 (241) | 12 | 9-1/2 (241) | 15 | 9-1/2 (241) |
| 3 | 4 | 9 | 8 | 8-1/4 (210) | 8 | 8-1/4 (210) | 11 | 8-1/4 (210) | 12 | 8-1/4 (210) | 12 | 8-1/4 (210) | 12 | 8-1/4 (210) | 15 | 10 (254) |
| 3 | 4 | 11 | 8 | 8-5/8 (219) | 8 | 8-5/8 (219) | 11 | 8-5/8 (219) | 12 | 8-5/8 (219) | 12 | 8-5/8 (219) | 12 | 8-5/8 (219) | - | N/A |
| 3 | 4 | 12 | 8 | 10 (254) | 8 | 10 (254) | 11 | 10 (254) | 12 | 10 (254) | 12 | 10 (254) | 12 | 10 (254) | 15 | 10 (254) |
| 4 | 4 | 7 | 8 | 8-1/4 (210) | 8 | 8-1/4 (210) | 11 | 8-1/4 (210) | 12 | 8-1/4 (210) | 12 | 8-1/4 (210) | - | N/A | - | N/A |
| 4 | 5 | 9A | 8 | 8-7/8 (225) | 8 | 8-7/8 (225) | 11 | 8-7/8 (225) | 12 | 8-7/8 (225) | 12 | 8-7/8 (225) | 12 | 8-7/8 (225) | 15 | 9 (229) |
| 4 | 5 | 9B | 8 | 9 (229) | 11 | 9 (229) | 11 | 9 (229) | 12 | 9 (229) | 12 | 9 (229) | 12 | 9 (229) | 15 | 9 (229) |
| 4 | 5 | 11 | 8 | 9 (229) | 11 | 9 (229) | 11 | 9 (229) | 12 | 9 (229) | 12 | 9 (229) | 12 | 9 (229) | - | N/A |
| 4 | 5 | 12 | 8 | 10-3/4 (273) | 11 | 10-3/4 (273) | 11 | 10-3/4 (273) | 12 | 10-3/4 (273) | 12 | 10-3/4 (273) | 12 | 10-3/4 (273) | 15 | 10-3/4 (273) |
| 5 | 6 | 11 | - | N/A | - | N/A | 11 | 11-1/4 (286) | 12 | 11-1/4 (286) | 12 | 11-1/4 (286) | 12 | 11-1/4 (286) | - | N/A |
| 5 | 6 | 12 | - | N/A | - | N/A | - | N/A | 12 | 11-1/4 (286) | 12 | 11-1/4 (286) | 12 | 11-1/4 (286) | 15 | 11-1/4 (286) |
| 6 | 6 | 9 | - | N/A | - | N/A | 11 | 9-1/2 (241) | 12 | 9-1/2 (241) | 12 | 9-1/2 (241) | 12 | 9-1/2 (241) | - | N/A |
| 6 | 6 | 11 | - | N/A | - | N/A | 11 | 11-1/2 (292) | 12 | 11-1/2 (292) | 12 | 11-1/2 (292) | 12 | 11-1/2 (292) | - | N/A |

| DISCHARGE | SUCTION | CASE BORE | BASE | FRAME 143T-145T D | BASE | FRAME 182T-184T D | BASE | FRAME 213T-215T D | BASE | FRAME 254T-256T D | BASE | FRAME 284T/TS-286T/TS D | BASE | FRAME 324T/TS-326T/TS D | BASE | FRAME 364TS-365TS D | BASE | FRAME 404TS D |
|-----------|---------|-----------|------|-------------------|------|-------------------|------|-------------------|------|-------------------|------|-------------------------|------|-------------------------|------|---------------------|------|---------------|
| 2 | 2-1/2 | 9 | 8 | 7-1/2 (191) | 8 | 7-1/2 (191) | 11 | 7-1/2 (191) | 12 | 7-1/2 (191) | 12 | 7-1/2 (191) | 12 | 9 (229) | 15 | 9 (229) | - | N/A |
| 2-1/2 | 3 | 9 | 8 | 7-1/2 (191) | 8 | 7-1/2 (191) | 11 | 7-1/2 (191) | 12 | 7-1/2 (191) | 12 | 7-1/2 (191) | 12 | 9-1/4 (235) | 15 | 9-1/4 (235) | - | N/A |
| 3 | 4 | 9 | 8 | 8-1/4 (210) | 8 | 8-1/4 (210) | 11 | 8-1/4 (210) | 12 | 8-1/4 (210) | 12 | 8-1/4 (210) | 12 | 8-1/4 (210) | 15 | 10 (254) | - | N/A |
| 3 | 4 | 12 | 8 | 10 (254) | 8 | 10 (254) | 11 | 10 (254) | 12 | 10 (254) | 12 | 10 (254) | 12 | 10 (254) | 15 | 10 (254) | - | N/A |
| 4 | 5 | 9A | 8 | 8-7/8 (225) | 8 | 8-7/8 (225) | 11 | 8-7/8 (225) | 12 | 8-7/8 (225) | 12 | 8-7/8 (225) | 12 | 8-7/8 (225) | 15 | 9 (229) | - | N/A |
| 4 | 5 | 12 | 8 | 10-3/4 (273) | 11 | 10-3/4 (273) | 11 | 10-3/4 (273) | 12 | 10-3/4 (273) | 12 | 10-3/4 (273) | 12 | 10-3/4 (273) | 15 | 10-3/4 (273) | - | N/A |
| 5 | 6 | 11 | - | N/A | - | N/A | 11 | 11-1/4 (286) | 12 | 11-1/4 (286) | 12 | 11-1/4 (286) | 12 | 11-1/4 (286) | - | N/A | - | N/A |
| 5 | 6 | 12 | - | N/A | - | N/A | - | N/A | 12 | 11-1/4 (286) | 12 | 11-1/4 (286) | 12 | 11-1/4 (286) | 15 | 11-1/4 (286) | - | N/A |
| 6 | 6 | 11 | - | N/A | - | N/A | 11 | 11-1/2 (292) | 12 | 11-1/2 (292) | 12 | 11-1/2 (292) | 12 | 11-1/2 (292) | - | N/A | - | N/A |
| 6 | 6 | 12 | - | N/A | - | N/A | - | N/A | 12 | 11-3/8 (289) | 12 | 11-3/8 (289) | 12 | 11-3/8 (289) | 15 | 11-3/8 (289) | 16 | 11-3/8 (289) |

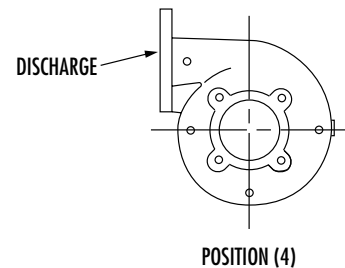
AURORA® MODEL 364A PUMPS

STEEL DRIP RIM BASE WITH OPTIONAL CASING FOOT

Dated **June 2013**



| PUMPS WITH FLANGED SUCTION CONNECTIONS AND THREADED DISCHARGE CONNECTIONS | | | | | | | | | |
|---|---------|-----------|-------------|---------------|---------------|---------------|----------------|----------------|----------------|
| PUMP SIZE | | | X | Y | Z | DC | DD | FRAME 1 DH | FRAME 2 & 3 DH |
| DISCHARGE | SUCTION | CASE BORE | | | | | | | |
| 1-1/4 | 1-1/2 | 7 | 5-1/4 (133) | 3-3/8 (86) | 4-3/16 (106) | 4-15/16 (125) | 5-3/16 (132) | 11-3/16 (284) | N/A |
| 1-1/4 | 1-1/2 | 9 | 6-5/8 (168) | 3-1/2 (89) | 5-3/8 (137) | 6-3/16 (157) | 6-3/8 (162) | 11-1/4 (286) | N/A |
| 1-1/2 | 2 | 7 | 5-3/8 (137) | 3-7/16 (87) | 4-5/16 (110) | 5-1/8 (130) | 5-3/8 (137) | 11-15/16 (303) | N/A |
| 1-1/2 | 2 | 9 | 6-3/4 (171) | 3-9/16 (90) | 5-1/2 (140) | 6-5/16 (160) | 6-9/16 (167) | 11-3/8 (290) | 12-3/16 (310) |
| 1-1/2 | 2 | 12 | 7-3/4 (197) | 3-11/16 (94) | 7-1/16 (179) | 8 (203) | 8-1/4 (210) | N/A | 12-7/16 (316) |
| PUMPS WITH ANSI 125 LB. FLANGED CONNECTIONS | | | | | | | | | |
| 2 | 2-1/2 | 7 | 5-5/8 (143) | 2-13/16 (71) | 4-9/16 (116) | 5-3/8 (137) | 5-13/16 (148) | 10-13/16 (275) | 11-5/8 (295) |
| 2 | 2-1/2 | 9 | 7 (178) | 2-13/16 (71) | 5-11/16 (144) | 6-1/2 (165) | 6-7/8 (175) | 10-3/4 (273) | 11-9/16 (294) |
| 2 | 2-1/2 | 12 | 8 (203) | 2-13/16 (71) | 7-3/16 (183) | 8-3/16 (208) | 8-1/2 (216) | N/A | 11-11/16 (297) |
| 2 | 3 | 11 | 8 (203) | 3-5/16 (84) | 6-1/2 (165) | 7 (178) | 7-3/8 (187) | N/A | 12-5/16 (313) |
| 2-1/2 | 3 | 7 | 5-7/8 (149) | 2-15/16 (75) | 4-13/16 (122) | 5-13/16 (148) | 6-1/4 (159) | 11-1/16 (281) | 11-7/8 (302) |
| 2-1/2 | 3 | 9 | 7-1/4 (184) | 2-15/16 (75) | 5-15/16 (151) | 6-3/4 (171) | 7-1/4 (184) | 7-15/16 (202) | 11-13/16 (300) |
| 2-1/2 | 3 | 12 | 8-1/4 (210) | 2-15/16 (75) | 7-3/8 (187) | 8-3/8 (213) | 8-3/4 (222) | N/A | 11-15/16 (303) |
| 3 | 4 | 9 | 7-1/2 (191) | 3-1/16 (78) | 6-1/8 (156) | 6-7/8 (175) | 7-7/16 (189) | N/A | 12-1/6 (309) |
| 3 | 4 | 11 | 9 (229) | 3-11/16 (94) | 7 (178) | 7-9/16 (192) | 8-3/16 (208) | N/A | 13 (330) |
| 3 | 4 | 12 | 8-1/2 (216) | 3-1/16 (78) | 7-9/16 (192) | 8-7/16 (214) | 8-15/16 (227) | N/A | 12-3/16 (310) |
| 4 | 4 | 7 | 6-1/2 (165) | 3-7/16 (87) | 5-1/2 (140) | 6-7/16 (164) | 7-5/16 (186) | 11-15/16 (303) | 12-3/4 (324) |
| 4 | 5 | 9A | 7-1/4 (184) | 4-1/16 (103) | 5-3/4 (146) | 6-11/16 (170) | 7-3/8 (187) | N/A | 13-3/16 (335) |
| 4 | 5 | 9B | 7-3/4 (197) | 3-9/16 (90) | 6-5/8 (168) | 8-1/16 (205) | 8-11/16 (221) | N/A | 12-13/16 (325) |
| 4 | 5 | 11 | 9 (229) | 3-15/16 (100) | 7-1/4 (184) | 7-15/16 (202) | 8-11/16 (221) | N/A | 13-3/16 (335) |
| 4 | 5 | 12 | 8-3/4 (222) | 3-9/16 (90) | 7-15/16 (202) | 8-7/8 (225) | 9-9/16 (243) | N/A | 12-13/16 (325) |
| 5 | 6 | 11 | 9 (229) | 4-1/8 (105) | 8-1/16 (205) | 8-11/16 (221) | 10-1/8 (257) | N/A | 14 (356) |
| 5 | 6 | 12 | 9 (229) | 3-7/8 (98) | 8-5/16 (211) | 9-1/4 (235) | 10-1/8 (257) | N/A | 13-1/2 (343) |
| 6 | 6 | 9 | 8-1/4 (210) | 3-3/4 (95) | 7 (178) | 8 (203) | 9 (229) | N/A | 13-1/8 (333) |
| 6 | 6 | 11 | 9-1/4 (235) | 4-1/8 (105) | 8-11/16 (221) | 9-11/16 (246) | 10-13/16 (275) | N/A | 14 (356) |
| 6 | 6 | 12 | 9-1/4 (235) | 4-1/8 (105) | 8-11/16 (221) | 9-11/16 (246) | 10-13/16 (275) | N/A | 14 (356) |



| BASE | SIZE | HA | HB | HE | HG | HH | HP | HK | HF |
|------|---------|----------|---------------|--------------|-------------|----------|------------|------------|---------------|
| 7 | 14 x 36 | 14 (356) | 36-1/2 (927) | 19 (483) | 3 (76) | 5/8 (16) | 3/4 (19) | 1-1/2 (38) | 35 (889) |
| | | 14 (356) | 42-1/2 (1080) | 19 (483) | 3 (76) | 5/8 (16) | 13/16 (20) | 1-1/2 (38) | 41 (1041) |
| 11 | 18 x 46 | 18 (457) | 46-1/2 (1181) | 25-1/8 (638) | 4 (102) | 3/4 (19) | 13/16 (20) | 2 (51) | 44-7/8 (1140) |
| | | 18 (457) | 54-1/2 (1384) | 25-1/8 (638) | 4 (102) | 3/4 (19) | 13/16 (20) | 2 (51) | 52-7/8 (1343) |
| 15 | 22 x 54 | 22 (559) | 54-1/2 (1384) | 29-1/8 (740) | 4-1/2 (114) | 3/4 (19) | 13/16 (20) | 2 (51) | 52-1/8 (1324) |
| | | 22 (559) | 64-1/2 (1638) | 29-1/8 (740) | 4-1/2 (114) | 3/4 (19) | 13/16 (20) | 2 (51) | 62-7/8 (1597) |

NOTES:

1. All dimensions in inches.
2. Dimensions may vary $\pm 1/4"$ (mm).
3. Not for construction purposes unless certified (6).
4. N/A = not applicable.
5. Conduit box is shown in approximate location. Dimensions are not specified as they vary with each motor manufacturer.

* Dimension "HT" may vary 1/8" (3) to 1" (24).

OPTIONAL CASING FOOT POWER FRAME TABLES

TABLE 4

| MOTOR FRAME | C | MOTOR FRAME | C |
|-------------|----------|-------------|----------|
| 56C | 12 (304) | 284TS | 22 (558) |
| 143T | 12 (304) | 286T | 25 (635) |
| 145T | 13 (330) | 286TS | 24 (609) |
| 182T | 13 (330) | 324T | 26 (660) |
| 184T | 14 (355) | 324TS | 25 (635) |
| 213T | 16 (406) | 326T | 28 (711) |
| 215T | 18 (457) | 326TS | 26 (660) |
| 254T | 21 (533) | 364TS | 27 (685) |
| 256T | 23 (584) | 365TS | 28 (711) |
| 284T | 24 (609) | 404TS | 30 (762) |

TABLE 1 POWER FRAME 1

| DISCHARGE | SUCTION | CASE BORE | BASE | FRAME 56C D | BASE | FRAME 143T-145T D | BASE | FRAME 182T-184T D | BASE | FRAME 213T-215T D | BASE | FRAME 254T D |
|-----------|---------|-----------|------|-------------|------|-------------------|------|-------------------|------|-------------------|------|--------------|
| 1-1/4 | 1-1/2 | 7 | 7 | 6-3/4 (171) | 7 | 6-3/4 (171) | 7 | 6-3/4 (171) | 8 | 6-3/4 (171) | 8 | 6-3/4 (171) |
| 1-1/4 | 1-1/2 | 9 | 7 | 6-3/4 (171) | 7 | 6-3/4 (171) | 7 | 6-3/4 (171) | 8 | 6-3/4 (171) | 8 | 6-3/4 (171) |
| 1-1/2 | 2 | 7 | 7 | 6-3/4 (171) | 7 | 6-3/4 (171) | 7 | 6-3/4 (171) | 8 | 6-3/4 (171) | 8 | 6-3/4 (171) |
| 1-1/2 | 2 | 9 | 7 | 6-3/4 (171) | 7 | 6-3/4 (171) | 7 | 6-3/4 (171) | 8 | 6-3/4 (171) | 8 | 6-3/4 (171) |
| 2 | 2-1/2 | 7 | 7 | 7-1/2 (191) | 7 | 7-1/2 (191) | 7 | 7-1/2 (191) | 8 | 7-1/2 (191) | 8 | 7-1/2 (191) |
| 2 | 2-1/2 | 9 | 7 | 7-1/2 (191) | 7 | 7-1/2 (191) | 7 | 7-1/2 (191) | 8 | 7-1/2 (191) | 8 | 7-1/2 (191) |
| 2-1/2 | 3 | 7 | 7 | 7-1/2 (191) | 7 | 7-1/2 (191) | 7 | 7-1/2 (191) | 8 | 7-1/2 (191) | 8 | 7-1/2 (191) |
| 2-1/2 | 3 | 9 | 7 | 7-1/2 (191) | 7 | 7-1/2 (191) | 7 | 7-1/2 (191) | 8 | 7-1/2 (191) | 8 | 7-1/2 (191) |
| 3 | 4 | 9 | 7 | 8-1/4 (210) | 7 | 8-1/4 (210) | 7 | 8-1/4 (210) | 8 | 8-1/4 (210) | 8 | 8-1/4 (210) |
| 4 | 4 | 7 | 7 | 8-1/4 (210) | 7 | 8-1/4 (210) | 8 | 8-1/4 (210) | 8 | 8-1/4 (210) | 8 | 8-1/4 (210) |

TABLE 2 POWER FRAME 2

| DISCHARGE | SUCTION | CASE BORE | BASE | FRAME 143T-145T D | BASE | FRAME 182T-184T D | BASE | FRAME 213T-215T D | BASE | FRAME 254T-256T D | BASE | FRAME 284T/TS-286T/TS D | BASE | FRAME 324T/TS-326T/TS D | BASE | FRAME 364TS-365TS D |
|-----------|---------|-----------|------|-------------------|------|-------------------|------|-------------------|------|-------------------|------|-------------------------|------|-------------------------|------|---------------------|
| 1-1/2 | 2 | 9 | 8 | 7 (178) | 8 | 7 (178) | 11 | 7 (178) | 12 | 7 (178) | 12 | 7 (178) | 12 | 8-5/8 (219) | 15 | 9 (229) |
| 1-1/2 | 2 | 12 | 8 | 8-5/8 (219) | 8 | 8-5/8 (219) | 11 | 8-5/8 (219) | 12 | 8-5/8 (219) | 12 | 8-5/8 (219) | 12 | 8-5/8 (219) | 15 | 9 (229) |
| 2 | 2-1/2 | 7 | 8 | 7-1/2 (191) | 8 | 7-1/2 (191) | 11 | 7-1/2 (191) | 12 | 7-1/2 (191) | 12 | 7-1/2 (191) | - | N/A | - | N/A |
| 2 | 2-1/2 | 12 | 8 | 9-1/4 (235) | 8 | 9-1/4 (235) | 11 | 9-1/4 (235) | 12 | 9-1/4 (235) | 12 | 9-1/4 (235) | 12 | 9-1/4 (235) | 15 | 9-1/4 (235) |
| 2 | 3 | 11 | 8 | 7-3/4 (197) | 8 | 7-3/4 (197) | 11 | 7-3/4 (197) | 12 | 7-3/4 (197) | 12 | 7-3/4 (197) | 12 | 9-1/8 (232) | - | N/A |
| 2-1/2 | 3 | 7 | 8 | 7-1/2 (191) | 8 | 7-1/2 (191) | 11 | 7-1/2 (191) | 12 | 7-1/2 (191) | 12 | 7-1/2 (191) | - | N/A | - | N/A |
| 2-1/2 | 3 | 12 | 8 | 9-1/2 (241) | 8 | 9-1/2 (241) | 11 | 9-1/2 (241) | 12 | 9-1/2 (241) | 12 | 9-1/2 (241) | 12 | 9-1/2 (241) | 15 | 9-1/2 (241) |
| 3 | 4 | 9 | 8 | 8-1/4 (210) | 8 | 8-1/4 (210) | 11 | 8-1/4 (210) | 12 | 8-1/4 (210) | 12 | 8-1/4 (210) | 12 | 8-1/4 (210) | 15 | 10 (254) |
| 3 | 4 | 11 | 8 | 8-5/8 (219) | 8 | 8-5/8 (219) | 11 | 8-5/8 (219) | 12 | 8-5/8 (219) | 12 | 8-5/8 (219) | 12 | 8-5/8 (219) | - | N/A |
| 3 | 4 | 12 | 8 | 10 (254) | 8 | 10 (254) | 11 | 10 (254) | 12 | 10 (254) | 12 | 10 (254) | 12 | 10 (254) | 15 | 10 (254) |
| 4 | 4 | 7 | 8 | 8-1/4 (210) | 8 | 8-1/4 (210) | 11 | 8-1/4 (210) | 12 | 8-1/4 (210) | 12 | 8-1/4 (210) | - | N/A | - | N/A |
| 4 | 5 | 9A | 8 | 8-7/8 (225) | 8 | 8-7/8 (225) | 11 | 8-7/8 (225) | 12 | 8-7/8 (225) | 12 | 8-7/8 (225) | 12 | 8-7/8 (225) | 15 | 9 (229) |
| 4 | 5 | 9B | 8 | 9 (229) | 11 | 9 (229) | 11 | 9 (229) | 12 | 9 (229) | 12 | 9 (229) | 12 | 9 (229) | 15 | 9 (229) |
| 4 | 5 | 11 | 8 | 9 (229) | 11 | 9 (229) | 11 | 9 (229) | 12 | 9 (229) | 12 | 9 (229) | 12 | 9 (229) | - | N/A |
| 4 | 5 | 12 | 8 | 10-3/4 (273) | 11 | 10-3/4 (273) | 11 | 10-3/4 (273) | 12 | 10-3/4 (273) | 12 | 10-3/4 (273) | 12 | 10-3/4 (273) | 15 | 10-3/4 (273) |
| 5 | 6 | 11 | - | N/A | - | N/A | 11 | 11-1/4 (286) | 12 | 11-1/4 (286) | 12 | 11-1/4 (286) | 12 | 11-1/4 (286) | - | N/A |
| 5 | 6 | 12 | - | N/A | - | N/A | - | N/A | 12 | 11-1/4 (286) | 12 | 11-1/4 (286) | 12 | 11-1/4 (286) | 15 | 11-1/4 (286) |
| 6 | 6 | 9 | - | N/A | - | N/A | 11 | 9-1/2 (241) | 12 | 9-1/2 (241) | 12 | 9-1/2 (241) | 12 | 9-1/2 (241) | - | N/A |
| 6 | 6 | 11 | - | N/A | - | N/A | 11 | 11-1/2 (292) | 12 | 11-1/2 (292) | 12 | 11-1/2 (292) | 12 | 11-1/2 (292) | - | N/A |

TABLE 3 POWER FRAME 3

| DISCHARGE | SUCTION | CASE BORE | BASE | FRAME 143T-145T D | BASE | FRAME 182T-184T D | BASE | FRAME 213T-215T D | BASE | FRAME 254T-256T D | BASE | FRAME 284T/TS-286T/TS D | BASE | FRAME 324T/TS-326T/TS D | BASE | FRAME 364TS-365TS D | BASE | FRAME 404TS D |
|-----------|---------|-----------|------|-------------------|------|-------------------|------|-------------------|------|-------------------|------|-------------------------|------|-------------------------|------|---------------------|------|---------------|
| 2 | 2-1/2 | 9 | 8 | 7-1/2 (191) | 8 | 7-1/2 (191) | 11 | 7-1/2 (191) | 12 | 7-1/2 (191) | 12 | 7-1/2 (191) | 12 | 9 (229) | 15 | 9 (229) | - | N/A |
| 2-1/2 | 3 | 9 | 8 | 7-1/2 (191) | 8 | 7-1/2 (191) | 11 | 7-1/2 (191) | 12 | 7-1/2 (191) | 12 | 7-1/2 (191) | 12 | 9-1/4 (235) | 15 | 9-1/4 (235) | - | N/A |
| 3 | 4 | 9 | 8 | 8-1/4 (210) | 8 | 8-1/4 (210) | 11 | 8-1/4 (210) | 12 | 8-1/4 (210) | 12 | 8-1/4 (210) | 12 | 8-1/4 (210) | 15 | 10 (254) | - | N/A |
| 3 | 4 | 12 | 8 | 10 (254) | 8 | 10 (254) | 11 | 10 (254) | 12 | 10 (254) | 12 | 10 (254) | 12 | 10 (254) | 15 | 10 (254) | - | N/A |
| 4 | 5 | 9A | 8 | 8-7/8 (225) | 8 | 8-7/8 (225) | 11 | 8-7/8 (225) | 12 | 8-7/8 (225) | 12 | 8-7/8 (225) | 12 | 8-7/8 (225) | 15 | 9 (229) | - | N/A |
| 4 | 5 | 12 | 8 | 10-3/4 (273) | 11 | 10-3/4 (273) | 11 | 10-3/4 (273) | 12 | 10-3/4 (273) | 12 | 10-3/4 (273) | 12 | 10-3/4 (273) | 15 | 10-3/4 (273) | - | N/A |
| 5 | 6 | 11 | - | N/A | - | N/A | 11 | 11-1/4 (286) | 12 | 11-1/4 (286) | 12 | 11-1/4 (286) | 12 | 11-1/4 (286) | - | N/A | - | N/A |
| 5 | 6 | 12 | - | N/A | - | N/A | - | N/A | 12 | 11-1/4 (286) | 12 | 11-1/4 (286) | 12 | 11-1/4 (286) | 15 | 11-1/4 (286) | - | N/A |
| 6 | 6 | 11 | - | N/A | - | N/A | 11 | 11-1/2 (292) | 12 | 11-1/2 (292) | 12 | 11-1/2 (292) | 12 | 11-1/2 (292) | - | N/A | - | N/A |
| 6 | 6 | 12 | - | N/A | - | N/A | - | N/A | 12 | 11-3/8 (289) | 12 | 11-3/8 (289) | 12 | 11-3/8 (289) | 15 | 11-3/8 (289) | 16 | 11-3/8 (289) |