

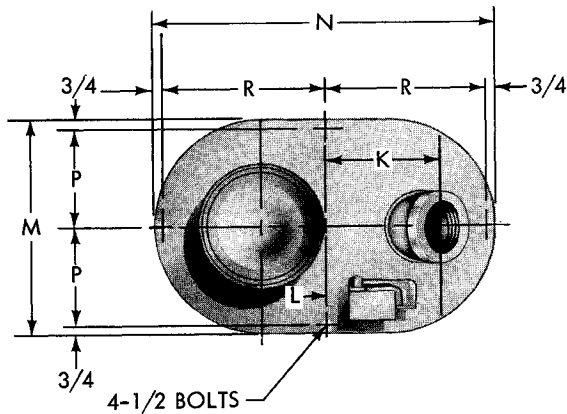
AURORA MODEL 631 PUMP ON OVAL PLATE

SECTION **630** PAGE **251**

DATED **NOVEMBER 1985**

SUPERSEDES PAGE 251

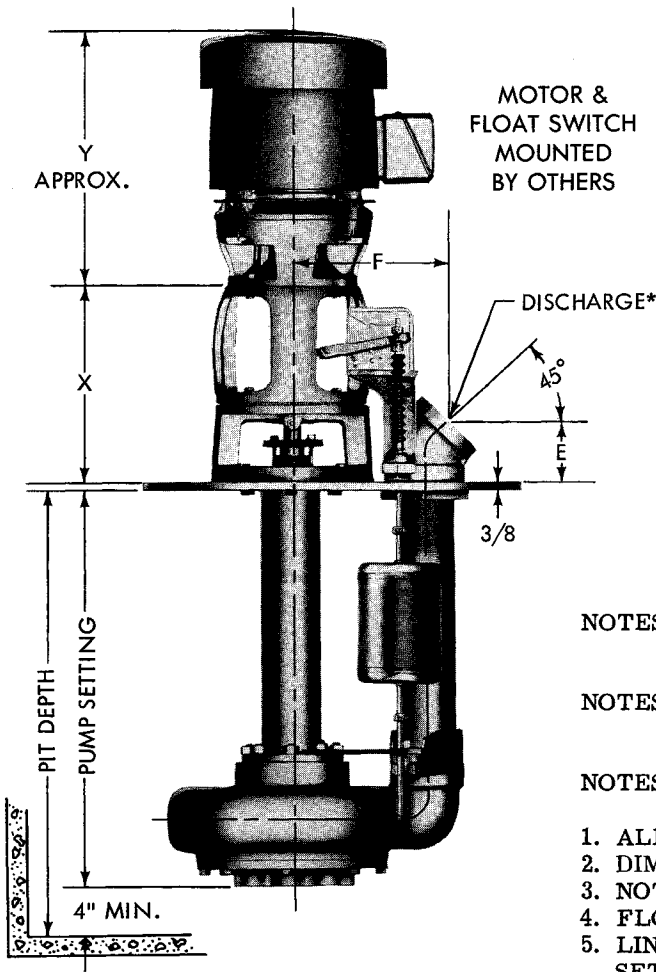
DATED APRIL 1972



PUMP SIZE			E	F	K	OVAL SIZE
DISCH	SUCTION	CASE BORE				
4	4	7	4-1/2	11-7/8	9-3/8	**20 x 24
4	4	9	4-1/2	11-7/8	9-3/8	**20 x 24
4	4	12	4-1/2	11-7/8	8-7/8	22 x 28
6	6	12	6	13-1/2	10-1/2	22 x 28

OVAL	L	M	N	P	R
**20 x 24	2-1/2	20	24	9-1/4	11-1/4
22 x 28	3	22	28	10-1/4	13-1/4

FRAME	X	Y
143HP	13-7/8	11
145HP	13-7/8	12
182HP	13-7/8	13
184HP	13-7/8	14
213HP	13-7/8	16
215HP	13-7/8	17
254HP	13-7/8	19
256HP	13-7/8	21
284HPH	15-5/8	21
286HPH	15-5/8	23
324HP	15-5/8	24
326HP	15-5/8	25



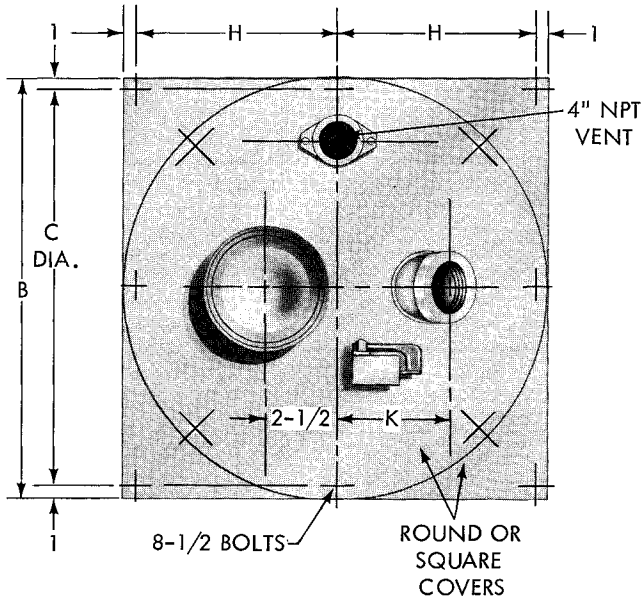
NOTES: * STD DISCHARGE ELBOW IS THREADED (FLANGED ELBOW CONNECTIONS AVAILABLE).

NOTES: ** 20 x 24 OVAL AVAILABLE ONLY WITH 4 x 4 x 7 AND 4 x 4 x 9 PUMPS.

NOTES:

1. ALL DIMENSIONS IN INCHES.
2. DIMENSIONS MAY VARY $\pm 3/8"$.
3. NOT FOR CONSTRUCTION PURPOSES UNLESS CERTIFIED.
4. FLOAT SWITCH FURNISHED ONLY WHEN SPECIFIED.
5. LINE SHAFT BEARING FURNISHED ON 6' 2" PUMP SETTINGS AND LONGER.
6. 22 x 28 OVAL IS STD FOR ALL PUMPS WHEN USED ON BASIN COVERS OF 52" DIA. AND LARGER.
7. 22 x 28 OVALS ARE ALSO AVAILABLE WHERE 20 x 24 OVALS ARE SHOWN.

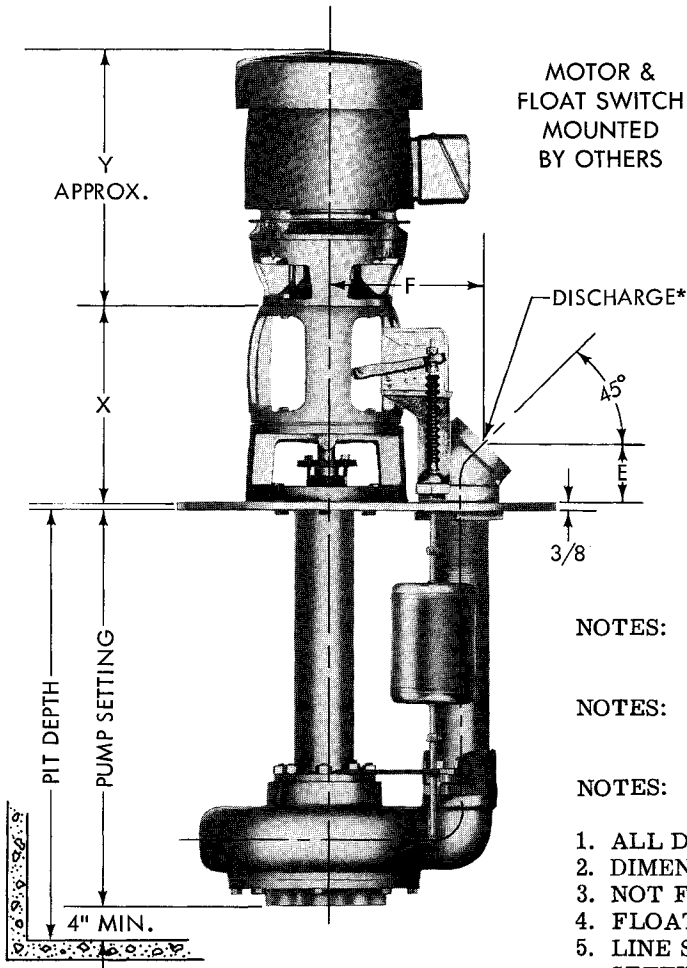
AURORA MODEL 631 PUMP ON SIMPLEX PLATE



PUMP SIZE			E	F	K
DISCH	SUCTION	CASE BORE			
4	4	7	4-1/2	11-7/8	9-3/8
4	4	9	4-1/2	11-7/8	9-3/8
4	4	12	4-1/2	11-7/8	9-3/8
6	6	12	6	13-1/2	11

FRAME	X	Y
143HP	13-7/8	11
145HP	13-7/8	12
182HP	13-7/8	13
184HP	13-7/8	14
213HP	13-7/8	16
215HP	13-7/8	17
254HP	13-7/8	19
256HP	13-7/8	21
284HPH	15-5/8	21
286HPH	15-5/8	23
324HP	15-5/8	24
326HP	15-5/8	25

COVER SIZE B	C	H
24	22	11
28	26	13



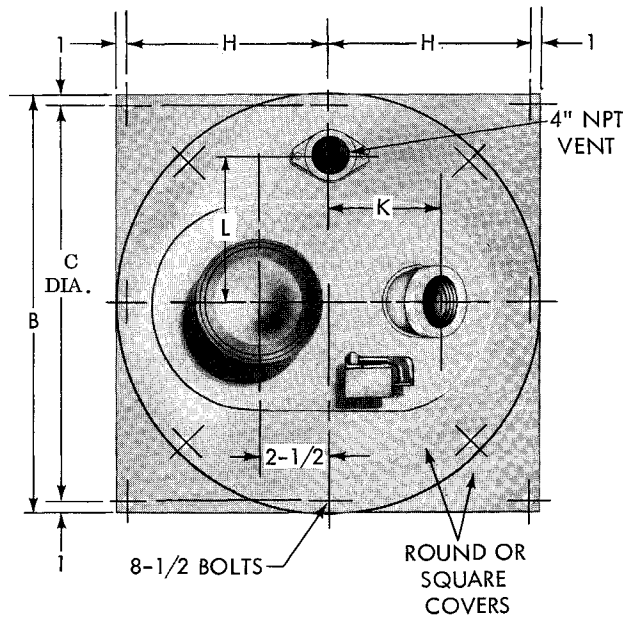
NOTES: * STD DISCHARGE ELBOW IS THREADED (FLANGED ELBOW CONNECTIONS AVAILABLE).

NOTES: ** 4 x 4 x 12 PUMP NOT AVAILABLE ON 28" BASIN COVERS.

NOTES:

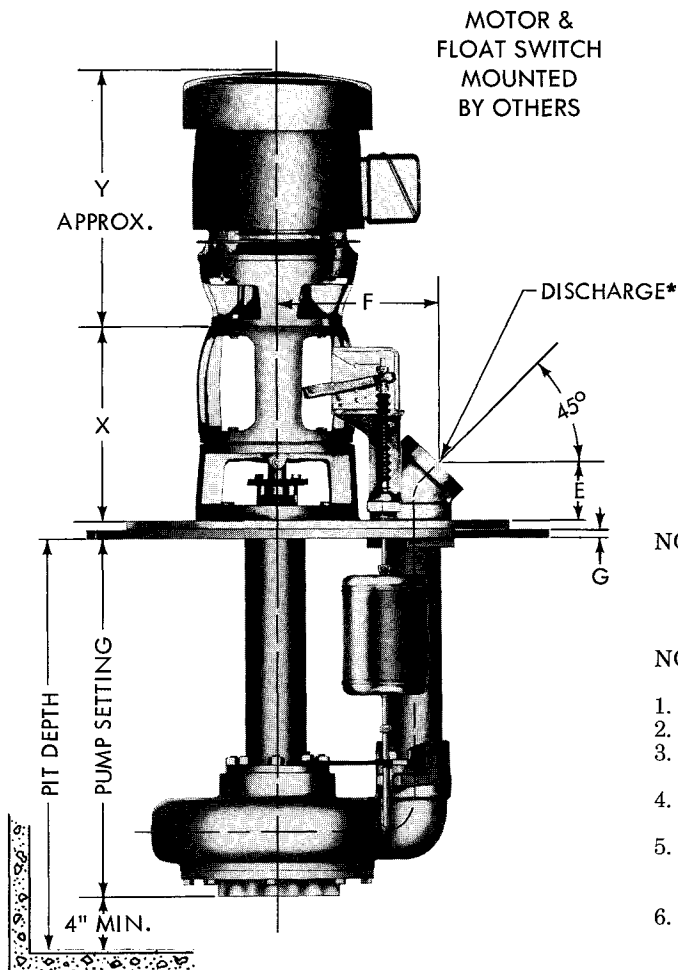
1. ALL DIMENSIONS IN INCHES.
2. DIMENSIONS MAY VARY $\pm 3/8"$.
3. NOT FOR CONSTRUCTION PURPOSES UNLESS CERTIFIED.
4. FLOAT SWITCH FURNISHED ONLY WHEN SPECIFIED.
5. LINE SHAFT BEARING FURNISHED ON 6' 2" PUMP SETTINGS AND LONGER.

AURORA MODEL 631 PUMP ON SIMPLEX PLATE WITH OVAL



PUMP SIZE			E	F	K	OVAL SIZE
DISCH	SUCTION	CASE BASE				
4	4	7	4-1/2	11-7/8	9-3/8	20 x 24
4	4	9	4-1/2	11-7/8	9-3/8	20 x 24
4	4	12	4-1/2	11-7/8	9-3/8	22 x 28
6	6	12	6	13-1/2	11	22 x 28

COVER SIZE B	C	H	G	L
			STEEL	
34	32	16	3/8	12-3/4
40	38	19	3/8	14-1/2
46	44	22	1/2	16
53	51	25-1/2	1/2	17-3/4
60	58	29	5/8	19-1/2
66	64	32	5/8	21
78	76	38	5/8	24

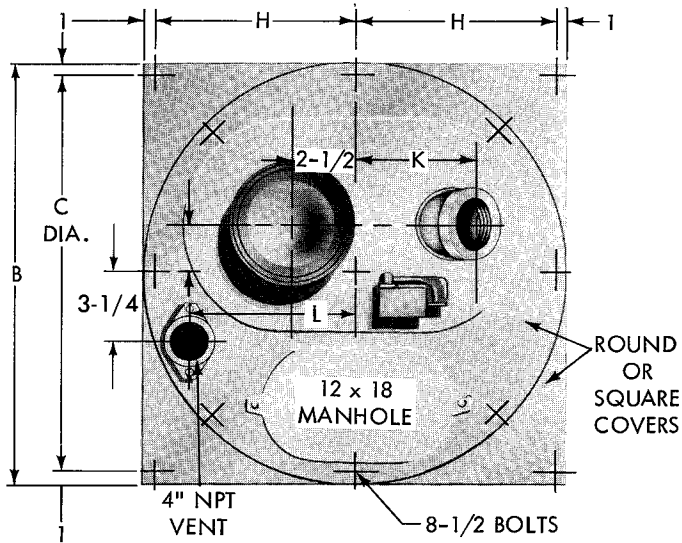


NOTES: * STD DISCHARGE ELBOW IS THREADED (FLANGED ELBOW CONNECTIONS AVAILABLE)

NOTES:

1. ALL DIMENSIONS IN INCHES.
2. DIMENSIONS MAY VARY $\pm 3/8"$.
3. NOT FOR CONSTRUCTION PURPOSES UNLESS CERTIFIED.
4. FLOAT SWITCH FURNISHED ONLY WHEN SPECIFIED.
5. LINE SHAFT BEARING FURNISHED ON 6' 2" PUMP SETTINGS AND LONGER.
6. 22 x 28 OVALS ARE ALSO AVAILABLE WHERE 20 x 24 OVALS ARE SHOWN.

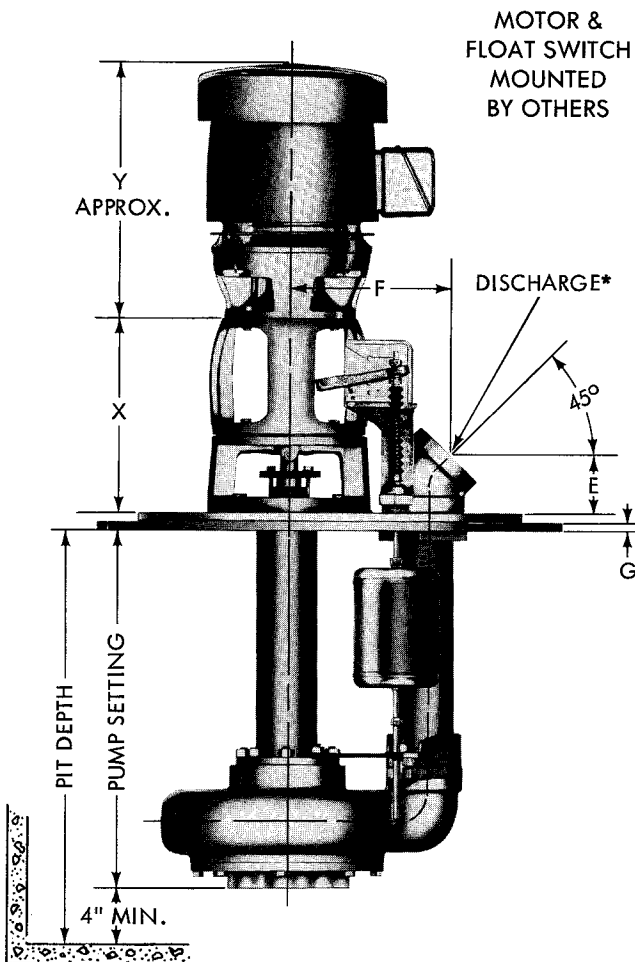
FRAME	X	Y
143HP	13-7/8	11
145HP	13-7/8	12
182HP	13-7/8	13
184HP	13-7/8	14
213HP	13-7/8	16
215HP		17
254HP	13-7/8	19
256HP	13-7/8	21
284HPH	15-5/8	21
286HPH	15-5/8	23
324HP	15-5/8	24
326HP	15-5/8	25



PUMP SIZE			E	F	K	OVAL SIZE
DISCH	SUCTION	CASE BORE				
4	4	7	4-1/2	11-7/8	9-3/8	20 x 24
4	4	9	4-1/2	11-7/8	9-3/8	20 x 24
4	4	12	4-1/2	11-7/8	9-3/8	22 x 28
6	6	12	6	13-1/2	11	22 x 28

FRAME	X	Y
143HP	13-7/8	11
145HP	13-7/8	12
182HP	13-7/8	13
184HP	13-7/8	14
213HP	13-7/8	16
215HP	13-7/8	17
254HP	13-7/8	19
256HP	13-7/8	21
284HPH	15-5/8	21
286HPH	15-5/8	23
324HP	15-5/8	24
326HP	15-5/8	25

COVER SIZE B	C	H	G	L
			STEEL	
40	38	19	3/8	14-1/2
46	44	22	1/2	17
53	51	25-1/2	1/2	18-3/4
60	58	29	5/8	20-1/2
66	64	32	5/8	22
78	76	38	5/8	25



NOTES: * STD DISCHARGE ELBOW IS THREADED (FLANGED ELBOW CONNECTIONS AVAILABLE)

NOTES:

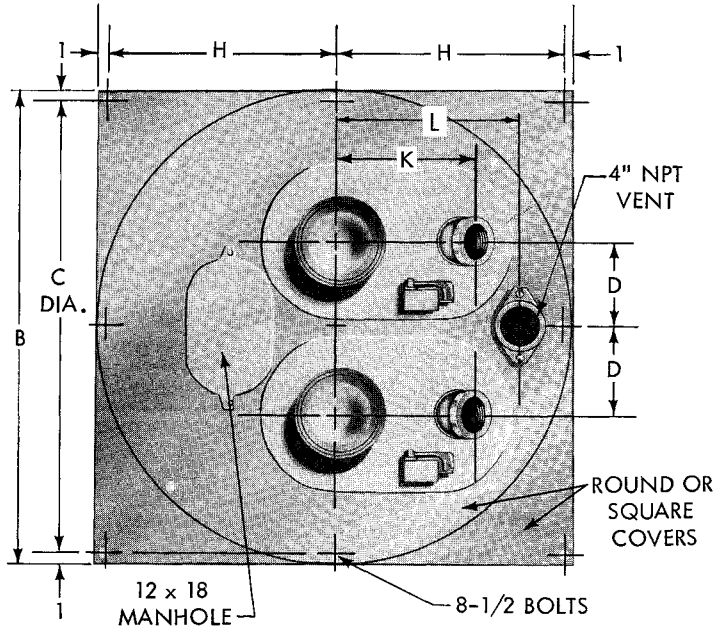
1. ALL DIMENSIONS IN INCHES.
2. DIMENSIONS MAY VARY $\pm 3/8$.
3. NOT FOR CONSTRUCTION PURPOSES UNLESS CERTIFIED.
4. FLOAT SWITCH FURNISHED ONLY WHEN SPECIFIED.
5. LINE SHAFT BEARING FURNISHED ON 6' 2" PUMP SETTINGS AND LONGER.
6. 22 x 28 OVAL IS STD FOR ALL PUMPS WHEN USED ON BASIN COVERS OF 52" DIA. AND LARGER.
7. 22 x 28 OVALS ARE ALSO AVAILABLE WHERE 20 x 24 OVALS ARE SHOWN.

AURORA MODEL 632 PUMP ON DUPLEX PLATE WITH TWO OVALS AND MANHOLE

SECTION **630** PAGE **255**

DATED **FEBRUARY 1991**

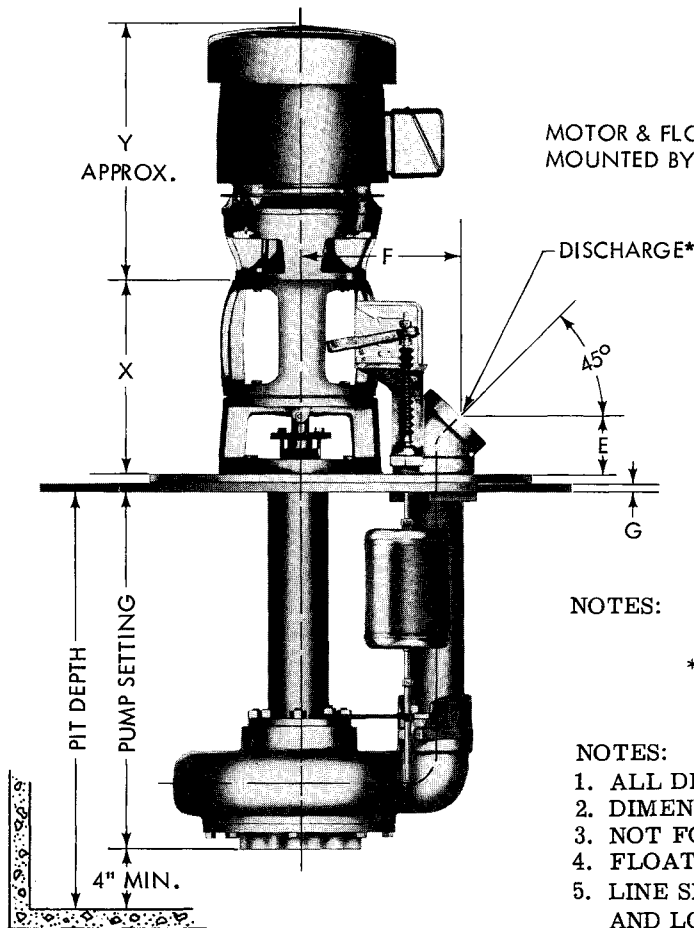
SUPERSEDES PAGE 255
DATED DECEMBER 1971



PUMP SIZE			E	F	K	
DISCH	SUCTION	CASE BORE			20 X 24 OVAL	22 X 28 OVAL
4	4	7	4-1/2	11-7/8	12-3/8	11-3/8
4	4	9	4-1/2	11-7/8	12-3/8	11-3/8
4	4	12	4-1/2	11-7/8		11-3/8
6	6	12	5-7/8†	13-7/16†		13

COVER SIZE B Rd. or sq.	C ROUND	H SQUARE	G	OVAL USED	D	L
			STL			
46**	44	22	1/2	20 x 24	10-1/2	17
53	51	25-1/2	5/8	22 x 28	11-1/2	19
60	58	29	5/8	22 x 28	11-1/2	19
66	64	32	3/4	22 x 28	11-1/2	19
78	76	38	3/4	22 x 28	11-1/2	19

FRAME	X	Y
143HP	13-7/8	11
145HP	13-7/8	12
182HP	13-7/8	13
184HP	13-7/8	14
213HP	13-7/8	16
215HP	13-7/8	17
254HP	13-7/8	19
256HP	13-7/8	21
284HPH	15-5/8	21
286HPH	15-5/8	23
324HP	15-5/8	24
326HP	15-5/8	25



MOTOR & FLOAT SWITCH
MOUNTED BY OTHERS

NOTES: * STD DISCHARGE ELBOW IS THREADED (FLANGED ELBOW CONNECTIONS AVAILABLE).

** 4 x 4 x 12 AND 6 x 6 x 12 PUMPS NOT AVAILABLE ON 46" BASIN COVERS.

† FLANGED ELBOW STANDARD

NOTES:

1. ALL DIMENSIONS IN INCHES.
2. DIMENSIONS MAY VARY ± 3/8.
3. NOT FOR CONSTRUCTION PURPOSES UNLESS CERTIFIED.
4. FLOAT SWITCH FURNISHED ONLY WHEN SPECIFIED.
5. LINE SHAFT BEARING FURNISHED ON 6' 2" PUMP SETTINGS AND LONGER.
6. SQUARE COVERS AVAILABLE ONLY IN STEEL.